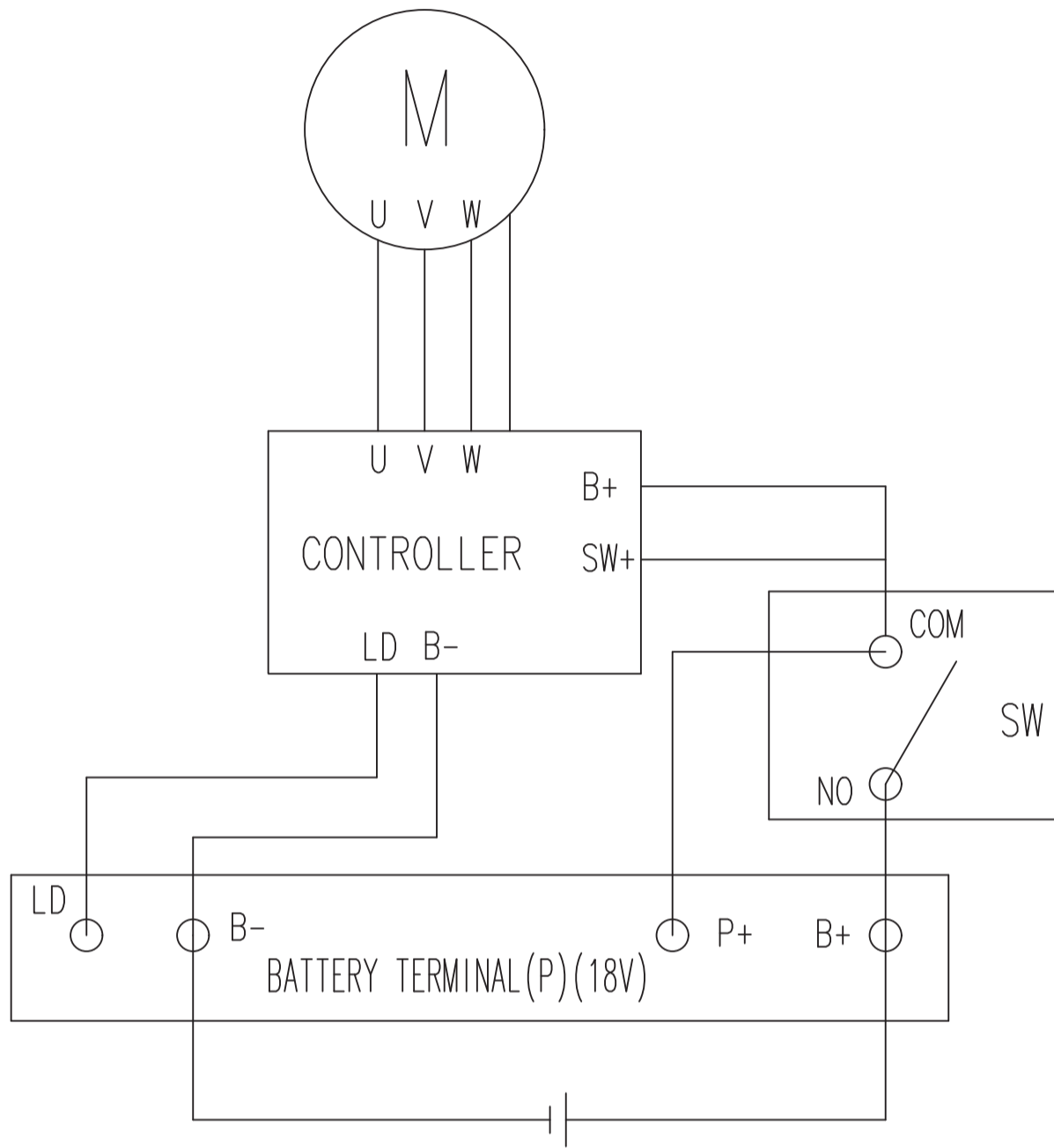


MODEL  
CS1810DD(1/2)



# HIKOKI

## CORDLESS CHAIN SAW CS1810DD

Item No.	Code No.	Description	No. Used	Remarks
1	382329	SIDE COVER ASS'Y	1	INCLUD.2-4
2	885318	ROLL PIN D2.5X25	1	
3	878791	ROLL PIN D2.5X12	1	
4	376785	TAPPING SCREW D2.6X8	4	
5	382223	SAW CHAIN (0.325)	1	
6	382222	CHAIN BAR (4 INCH 0.325)	1	
7	305490	TAPPING SCREW (W/FLANGE) D4X30 (BLACK)	1	
8	319956	WASHER (B)	1	
9	382198	CHAIN GUARD	1	
10	382200	SLEEVE	1	
11	382199	RETURN SPRING	1	
12	382202	OIL FEEDER	1	
13	382201	GUIDE PLATE	1	
14	974577	RETAINING RING (E-TYPE) FOR D7 SHAFT	1	
15	382224	SPROCKET (0.325)	1	
16		NAME PLATE	1	
17	995396	VALVE	1	
18	382331	TANK CAP ASS'Y	1	INCLUD.19
19	997392	O-RING (1AP-24)	1	
20	382228	WIRING SET	1	
21	382197	OFF LOCK BUTTON	1	
22	324306	SPRING (A)	1	
23	324299	TRIGGER	1	
24	324307	SPRING (B)	1	
25	6000VV	BALL BEARING 6000VVCMP2L	1	
26	382330	INNER COVER ASS'Y	1	INCLUD.27,28
27	698VVC	BALL BEARING 698VVC2	1	
28	968643	RETAINING RING (E-TYPE) FOR D4 SHAFT	1	
29	313687	TAPPING SCREW (W/FLANGE) D3X16 (BLACK)	15	
30	382210	TUBE 47L	1	
31	382226	PUMP CASE	1	
32	382209	OIL PIPE	1	
33	371020	O-RING (I.D 2.5)	1	
34	382208	PUMP GEAR	1	
35	382211	SQUARE NUT M6	1	
36	382225	HOUSING TANK SET	1	
		STANDARD ACCESSORIES		
501	382220	CHAIN CASE	1	
502		OIL FEEDER (50CC)	1	
				SUPPLIED WITH ITEM NO.602
		OPTIONAL ACCESSORIES		
601	930035	GREASE (SEP-3A) (100G)	1	
602	957681	LUBRICANT OILER (120CC)	1	
603	381498	POLE ATTACHMENT	1	
604	381934	HOLSTER	1	
606	6697724	DEPTH GAGE	1	
607	6698688	FILE 5/32 SET	1	

\* ALTERNATIVE PARTS