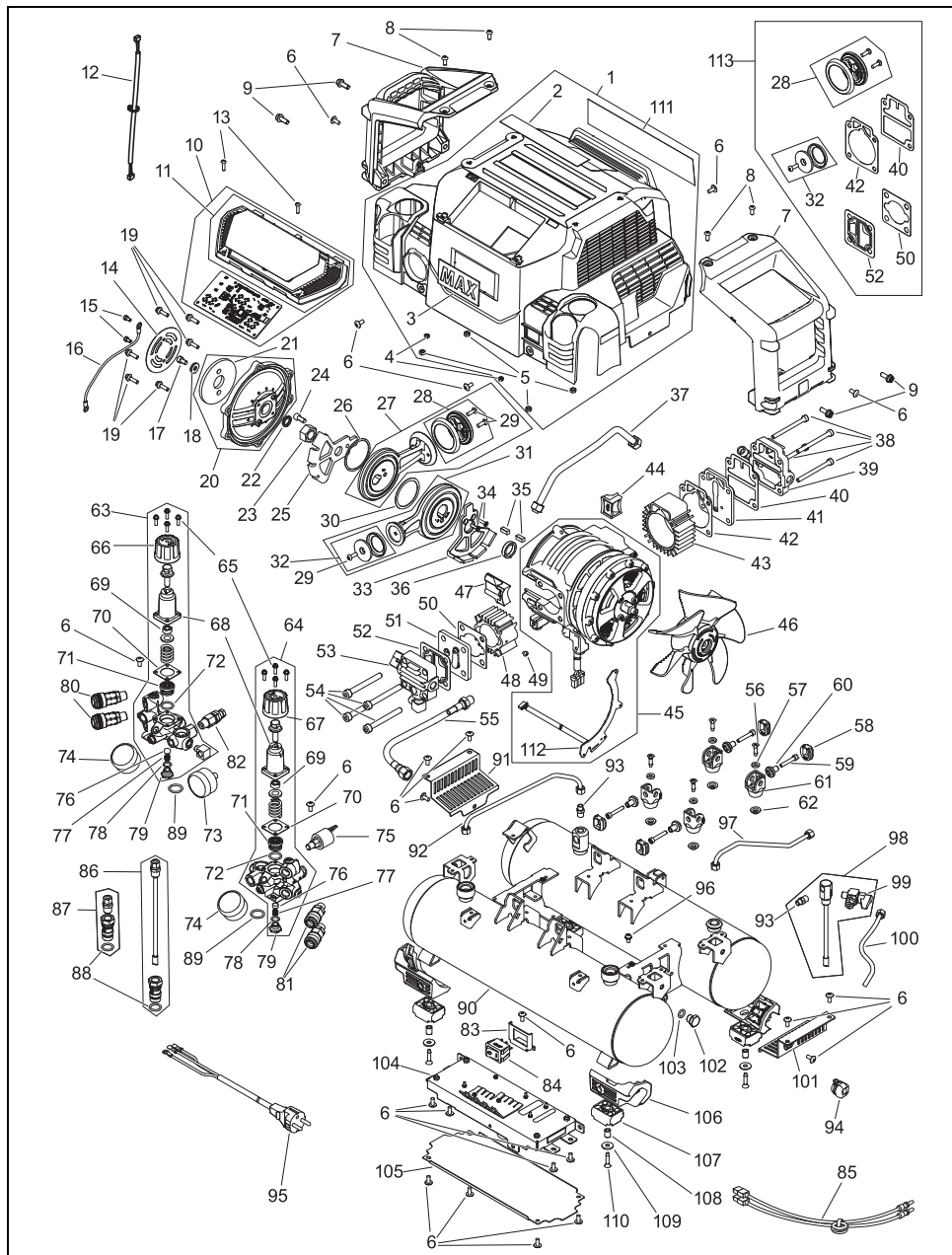


AKHL1320E(CE)

SPRÆNGTEGNING OG LISTE MED RESERVEDELE



AKHL1320E (CE)

ITEM NO.	PART NO.	MATERIAL	ENGLISH	DANSK
1	AK70834	PP, PET, ABS, Steel	COVER 1320 ASSY	COVER 1320 KOMPLET
2	AK16226	PET	GATE LABEL(1320CE)	SPJÆLD, MÆRKAT (1320CE)
3	AK16176	ABS	BRAND PLATE RED	MÆRKEPLADE RØD
4	CC41103	Steel	HEX NUT 1-4	UNBRACO MØTRIK 1-4
5	CC41101	Steel	HEX NUT 1-5	UNBRACO-MØTRIK 1-5
6	AA34805	Steel	SCREW 5x12	SKRUE 5x12
7	AK70801	PP, Copper Alloy	GRIP1310 ASSY	GREB1310 KOMPLET
8	BB41002	Steel	BOLT 5x12	BOLT 5x12
9	BB43101	Steel	BOLT 6x16	BOLT 6x16
10	AK70827	-	SWITCH PANEL ASSY(1320E)	AFBRYDERPANEL KOMPLET(1320E)
11	AK81423	PP, PET, PC	PANEL CASE 1320 ASSY	PANEL-KASSE 1320 KOMPLET
12	AK16083	-	SUB BOARD RELAY CABLE(1310E)	RELÆKABEL TIL UNDERKORT(1310E)
13	BB41707	Steel	BOLT 4x16	BOLT 4x16
14	AK15293	Aluminium	FILTER RETAINER	FILTERHOLDER
15	BB40448	Steel	BOLT 4x6	BOLT 4x6
16	AK15774	-	MORTOR WIRE	MORTORLEDNING
17	BB40416	Steel	BOLT 6x10	BOLT 6x10
18	EE39836	Steel	WASHER 6.2x17x3	SPÆNDSKIVE 6,2x17x3
19	BB43804	Steel	BOLT 5x18	BOLT 5x18
20	AK70546	Aluminium, Steel, Rubber	CRANKCASE CAP ASSY	KRANKHUS-KAPPE KOMPLET
21	AK15292	Wool	FILTER ELEMENT	FILTERELEMENT
22	AK14617	Steel	SHAFT COLLAR	AKSELKRAVE
23	CC41107	Steel	HEX NUT 1-16	UNBRACO MØTRIK 1-16
24	BB40436	Steel	BOLT 6x14	BOLT 6x14
25	AK15724	Steel	BALANCER F	BALANCERING F
26	AK15137	Aluminium	6910 STOPPER	6910 STOPPER
27	AK70822	Aluminium, Steel, Rubber, TFE	ROCKING CON-ROD UNIT 60AC2	GYNGENDE PLEJLSTANGSENHED 60AC2
28	AK81404	-	LIP RING MAINTENANCE KIT 2	VEDLIGEHOLDELSESSÆT 2 TIL LÆBERING
29	BB86702	steel	BUTTON BOLT 5x14	KNAPBOLT 5x14
30	AK15288	Aluminium	6009 STOPPER	6009 STOPPER
31	AK70771	Aluminium, Steel, Rubber, TFE	ROCKING CON-ROD UNIT 40AAX	GYNGENDE PLEJLSTANGSENHED 40AAX
32	AK81333	-	LIP RING 40 MAINTENANCE KIT	VEDLIGEHOLDELSESSÆT TIL LÆBERING 40
33	AK15725	STEEL	BALANCER S	BALANCERING S
34	AA22137	STEEL	SCREW 4x16	SKRUE 4x16
35	AK15300	Steel	KEY 6x6x13.5(1250)	NØGLE 6x6x13,5(1250)
36	AK16100	Steel	MOTOR SHAFT COLLAR 1310	KRAVE TIL MOTORAKSEL 1310
37	AK81298	Aluminium, Copper alloy	INTERMEDIATE PIPE UNIT	MELLEMLIGGENDE RØRENHED
38	BB40838	Steel	BOLT 6x70	BOLT 6x70
39	AK81297	Aluminium, Copper alloy	CYLINDER HEAD F ASSY	CYLINDERHOVED F KOMPLET
40	AK14128	Steel, Rubber	HEAD SEAL F	HOVEDFORSEGLING F
41	AK70395	Stainless steel, Steel	VALVE SEAT UNIT F	VENTILSÆDEENHED F
42	AK14125	Steel, Rubber	CYLINDER SEAL F	CYLINDERFORSEGLING F
43	AK15721	Aluminium	CYLINDER F	CYLINDER F
44	AK14567	Rubber	CRANKCASE SEAL F	KRANKHUSFORSEGLING F
45	AK70777	-	DC BRUSHLESS MOTOR 1310	DC BØRSTELØS MOTOR 1310
46	AK70784	PP, Aluminium	COOLING FAN UNIT1310	KØLEVENTILATORENHED1310
47	AK14568	Rubber	CRANKCASE SEAL S	FORSEGLING TIL KRUMTAPHUS S
48	AK15266	Aluminium	CYLINDER S	CYLINDER S
49	AA21571	Steel	PAN HEAD SCREW 4x4	PANHEAD-SKRUE 4x4
50	AK14138	Steel, Rubber	CYLINDER SEAL S	CYLINDERFORSEGLING S
51	AK70393	Stainless steel, Steel	VALVE SEAT UNIT S	VENTILSÆDEENHED S
52	AK14143	Steel, Rubber	HEAD SEAL S	HOVEDFORSEGLING S
53	AK81406	Aluminium, Copper Alloy	CYLINDER HEAD S ASSY	CYLINDERHOVED S KOMPLET
54	BB40837	Steel	BOLT 8x70	BOLT 8x70
55	AK16114	-	FLEXIBLE PIPE 1310	FLEKSIBELT RØR 1310
56	AA32802	Steel	SCREW 5x20	SKRUE 5x20
57	AK14674	Steel	DUMPER COLLAR	DÆMPER-KRAVE
58	AK15263	Rubber	DETERRENCE DUMPER	AFVÆRGELSESDÆMPER
59	BB40437	Steel	BOLT 5x30	BOLT 5x30
60	AK15570	Steel	DETERRENCE COLLAR B	AFSKRÆKKELSESHALS BÅND B
61	AK16168	Rubber	DAMPER 70	DÆMPER 70

AKHL1320E (CE)

ITEM NO.	PART NO.	MATERIAL	ENGLISH	DANSK
62	AK15276	Aluminium	DUMPER COLLAR C	DÆMPER-KRAVE C
63	AK81420	-	DELIVERY BODY 1320H ASSY	LEVERINGSKROP 1320H KOMPLET
64	AK81421	-	DELIVERY BODY 1320L ASSY CE	LEVERINGSKROP 1320L KOMPLET CE
65	AA03310	Steel	PAN HEAD SCREW 4x15	PANHEAD-SKRUE 4x15
66	AK15764	POM	HANDLE H	HÅNDTAG H
67	AK15763	POM	HANDLE L	HÅNDTAG L
68	AK15762	PA	REDUCING VALVE HOUSING	REDUKTIONSVENTILHUS
69	CC42508	Steel	HEX NUT M8	HEX-MØTRIK M8
70	AK15772	Steel	PISTON STOPPER	STEMPELSTOPPER
71	AK15759	POM	PISTON	STEMPEL
72	HH11225	Rubber	O RING 1 B P16	O-RING 1 B P16
73	AK15926	-	PRESSURE GAUGE 60BAR 1260	TRYKMÅLER 60BAR 1260
74	AK15925	-	PRESSURE GAUGE 35BAR 1260	TRYKMÅLER 35BAR 1260
75	AK16150	-	PRESSURE SENSOR IP66A	TRYKSENSOR IP66A
76	AK70628	Copper Alloy, rubber	VALVE ELEMENT UNIT	VENTILELEMENTENHED
77	KK24159	Stainless steel	SPRING 4159	FJEDER 4159
78	HH11186	Rubber	O RING 1 AP10 AK	O-RING 1 AP10 AK
79	AK15760	Aluminium	VALVE CAP	VENTILHÆTTE
80	TT05027	-	AIR CHUCK HL22M	LUFTKOBLING HL22M
81	TT05025	-	AIR CHUCK EURO	LUFTKOBLING EURO
82	AK15456	-	RELIEF VALVE 565PSI	SIKKERHEDSVENTIL 565PSI
83	AK16236	Steel	SWITCH MOUNTING PLATE CE	MONTERINGSPLADE TIL AFBRYDER CE
84	AK14857	-	POWER SWITCH	STRØMAFBRYDER
85	AK70852	-	SWITCH WIRE ASSY(1320E)WH	AFBRYDERLEDNING KOMPLET(1320E)WH
86	AK70793	Aluminium, Copper alloy, Rubber	REG NIPPLE 1310 ASSY(B)	REGULERINGSNIPPEL 1310 KOMPLET(B)
87	AK70792	Aluminium, Copper alloy, Rubber	REG NIPPLE 1310 ASSY(A)	REGULERINGSNIPPEL 1310 KOMPLET(A)
88	HH11187	Rubber	ORING 1 A P15	ORING 1 A P15
89	HH11107	Rubber	ORING 1 A P18	ORING 1 A P18
90	AK70830	Aluminium	AIR TANK UNIT CE	LUFTTANK ENHED CE
91	AK16160	Aluminium	UNDER COVER 1310B	UNDERDÆKKE 1310B
92	AK81409	Aluminium, Copper alloy	CONNECTING PIPE 1310 UNIT	FORBINDELSERØR 1310 UNIT
93	TT07018	Copper alloy	JOINT MH-1061-OM	LED MH-1061-OM
94	AK15124	PA	STRAIN BUSHING 8.3/9.1	SPÆNDINGS-BUSHING 8.3/9.1
95	AK15913	-	POWER CODE 1260CE	STRØMKABEL 1260CE
96	AA03104	Steel	SCREW 5x10	SKRUE 5x10
97	AK81410	Aluminium, Copper alloy	DRAIN CONNECTING PIPE 1310 UNIT	TILSLUTNINGSRØR TIL AFLØB 1310 UNIT
98	AK70795	Aluminium, Copper alloy, rubber	DRAIN NIPPLE 1310 ASSY	AFLØBSNIPPEL 1310 KOMPLET
99	AK14179	-	DRAIN COCK	TØMNINGSHANE
100	AK81418	Aluminium, Copper alloy	RELEASE PIPE UNIT 1310EP	UDLØSERRØRSENHED 1310EP
101	AK16240	Aluminium	UNDER COVER CE	UNDERDÆKKE CE
102	AK14678	Steel	DETENT PLUG M12x1.5 LEFT	FASTGØRRELSSEPROP M12x1.5 LEFT
103	HH11132	Rubber	O RING 1 A P10A	O-RING 1 A P10A
104	AK81422	-	INVERTER UNIT(1320E/CE)	INVERTERENHED(1320E/CE)
105	AK16130	Aluminium	UNDER COVER 1310A	UNDERDÆKKE 1310A
106	AK16129	PA	CORNER PROTECTOR 1310	HJØRNEBESKYTTER 1310
107	AK16127	Rubber	RUBBER FOOT 1310	GUMMIFOD 1310
108	AK16128	Aluminium	RUBBER FOOT COLLAR 1310	GUMMIFODSKRAVE 1310
109	EE39193	Steel	PLANE WASHER 6.2x18x1.6	PLANSKIVE 6.2x18x1.6
110	AA32803	Steel	S-TITE SCREW 5x25	S-TITE SKRUE 5x25
111	AK16227	PET	SPECIFICATION LABEL(1320E/CE)	SPECIFIKATIONSMÆRKE(1320E/CE)
112	AK16198	-	MOTOR SENSOR UNIT 1310	MOTORSENSORENHED 1310
113	AK81430	-	MAINTENANCE PARTS KIT 1320E	SÆT MED VEDLIGEHOLDELSSEDELE 1320E