

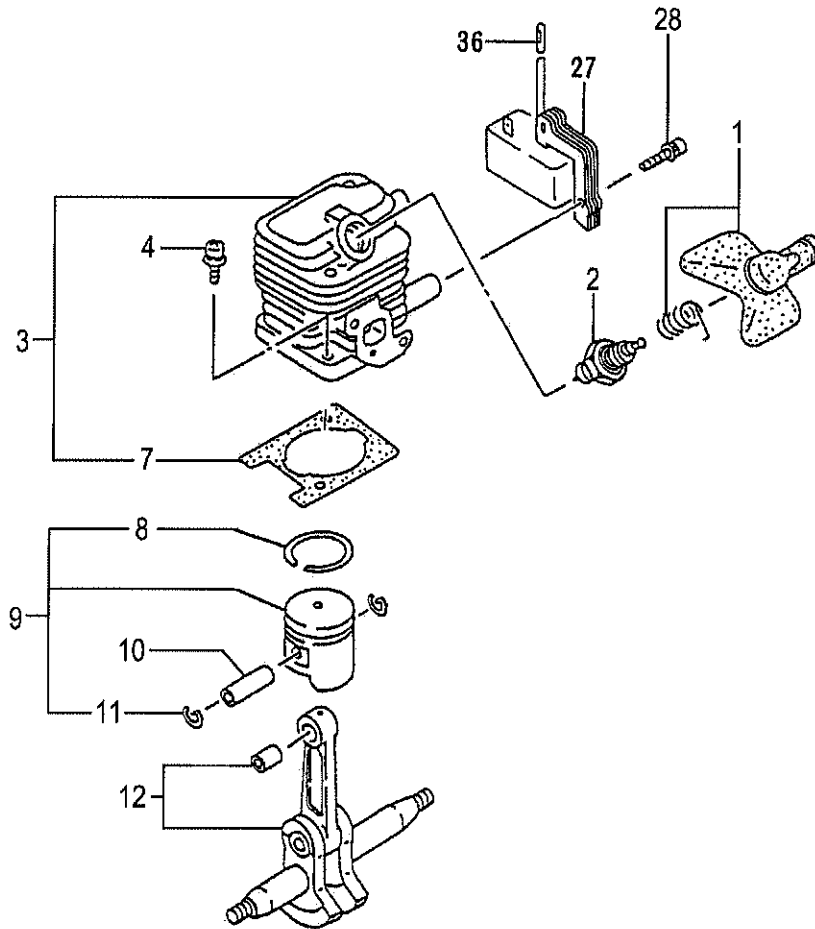
S01

(For Europe/Russia)

A25EB/A25EB(N)

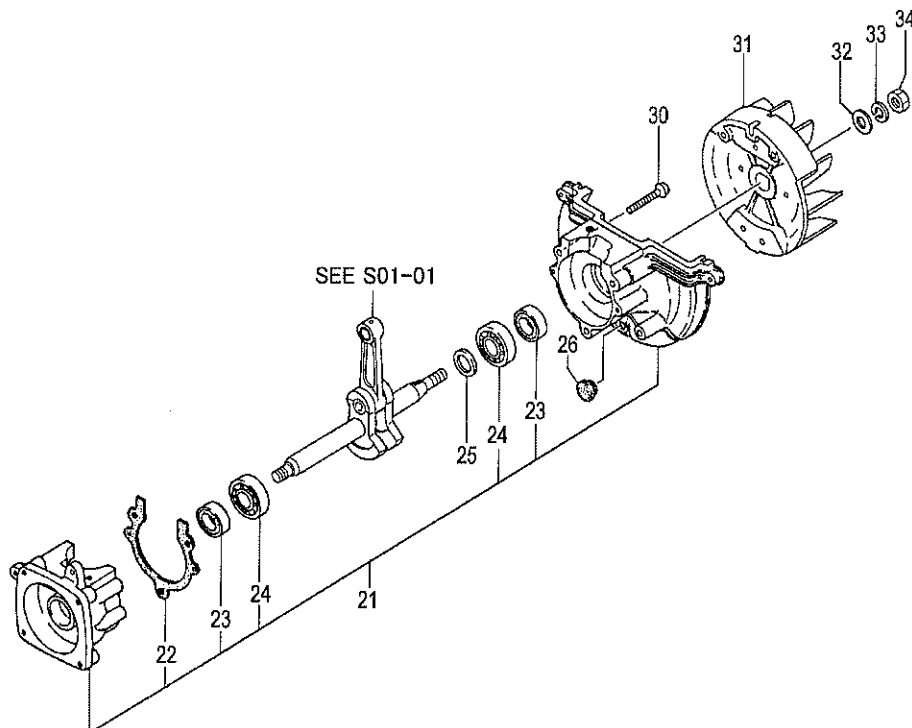
Serial No.

S1-01 CYLINDER/PISTON/CRANK SHAFT



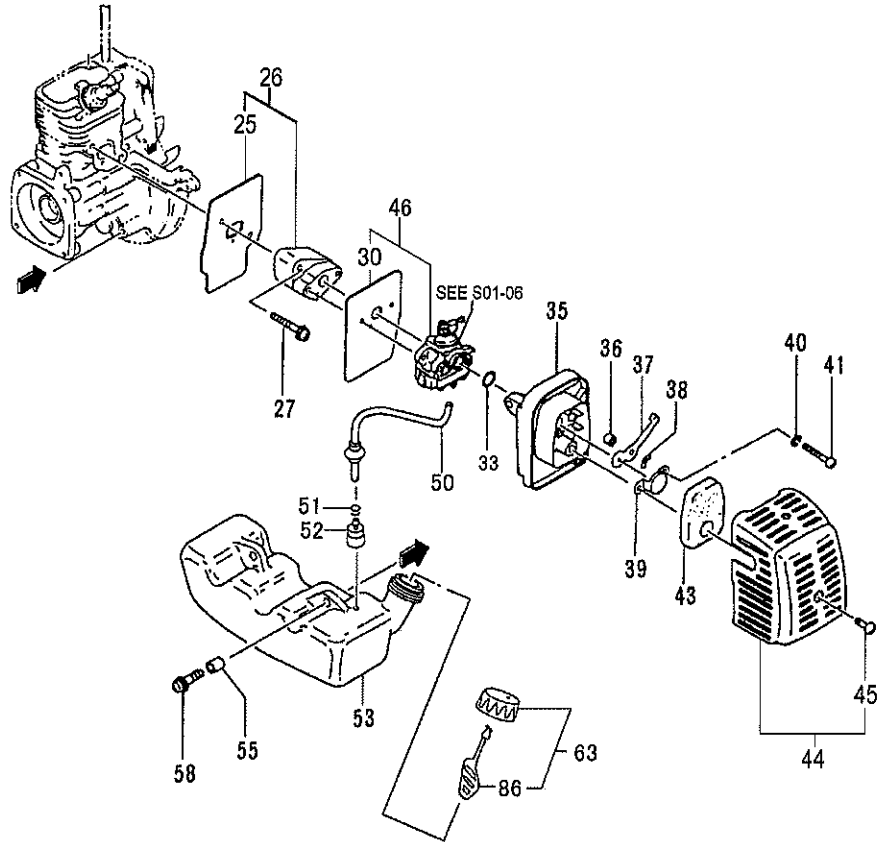
REF. NUMBER	PARTS NUMBER	DESCRIPTION	Q'TY	REMARKS /SERIAL NO.
S01-01 CYLINDER/PISTON/CRANK SHAFT				
001	668-7476	SPARK PLUG CAP ASS'Y	1	
002	668-5782	SPARK PLUG BPMR7A	1	
003	668-5480	CYLINDER SET	1	
004	668-4586	HEX.HOLE BOLT M5X18/S	2	
007	668-5744	CYLINDER GASKET	1	
008	668-6118	PISTON RING	1	
009	668-5892	PISTON SET	1	
010	668-6015	PISTON PIN	1	
011	668-6028	PISTON PIN CIRCLIP	2	
012	668-6206	CRANK SHAFT COMP.	1	
027	669-5939	IGNITION COIL COMP	1	
028	669-5407	HIGH TENSION SCREW 4X18WS	2	
036	668-4597	INSULATOR TUBE 50L	1	

S01-02 CRANK CASE



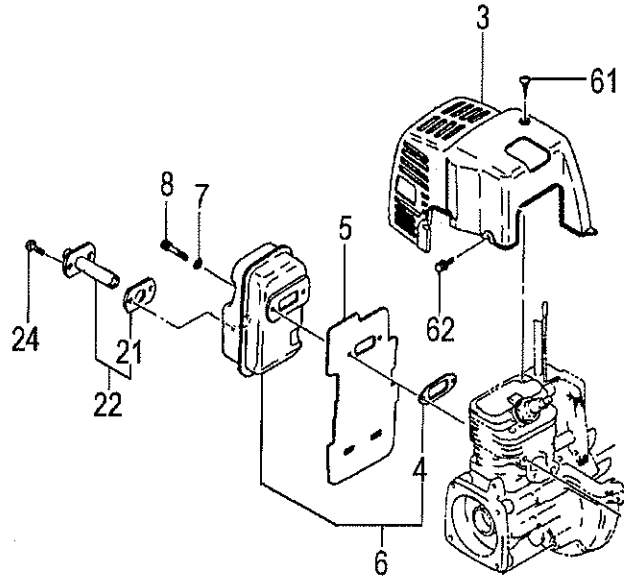
REF. NUMBER	PARTS NUMBER	DESCRIPTION	Q'TY	REMARKS /SERIAL NO.
S01-02 CRANK CASE				
021	668-6576	CRANK CASE ASS'Y	1	
022	668-6720	CRANKCASE GASKET	1	
023	668-4607	OIL SEAL TB 12227	2	
024	669-5535	BALL BEARING 6001 C3	2	
025	668-4604	GEAR SHAFT SHIM 0.20	V	
025	668-4605	GEAR SHAFT SHIM 0.30	V	
026	669-1822	ANTI-VIBE RUBBER	1	
030	668-4786	HEX. SOCKET HD. BOLT M5X30 S	3	
031	668-7389	MAGNETO ROTOR COMP.	1	
032	668-4611	WASHER M8	1	
033	668-4971	S.WASHER 8	1	
034	668-4612	HEX.NUT M8	1	

S01-03 ENGINE-1



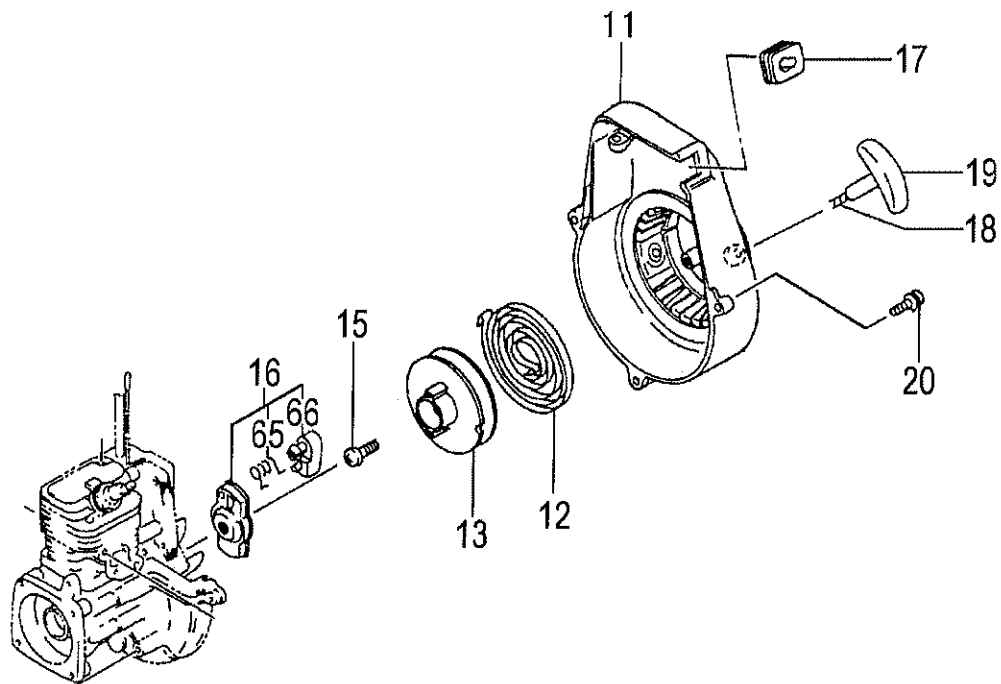
REF. NUMBER	PARTS NUMBER	DESCRIPTION	Q'TY	REMARKS /SERIAL NO.
S01-03 ENGINE-1				
025	668-9891	INTAKE PIPE GASKET	1	
026	668-9966	CARB. INSULATOR SET, SPARE	1	
027	317-7751	MACHINE SCREW (W/WASHERS) M	2	
030	668-9839	CARBURETOR GASKET	1	
033	669-5670	O-RING P-15	1	
035	669-0119	CLEANER BODY COMP.	1	
036	669-0804	COLLAR 7.5	2	
037	669-1272	CHOKE VALVE	1	
038	668-4658	WAVE WASHER 8	1	
039	669-0843	BLOW OVER CHECK BOARD	1	
040	668-4662	S.WASHER 5	2	
041	668-4660	SCREW M5X60	2	
043	669-0364	CLEANER SPONGE	1	
044	669-0415	CLEANER COVER ASS'Y	1	
045	668-9737	SPECIAL SCREW	1	
046	669-0483	CARBURETOR SET WYL81	1	
050	668-5247	SHIELD TUBE ASS'Y	1	
051	668-4619	CLIP, 6.3 DIA.	1	
052	668-4620	PUMP FILTER BODY COMP.	1	
053	669-1561	FUEL TANK	1	
055	669-2244	COLLAR 5.8	2	
058	669-5505	HEX. HOLE BOLT 5X18PS	2	
063	669-1763	TANK CAP D ASS'Y, BLACK	1	
086	668-4625	TANK CAP CHAIN	1	

S01-04 ENGINE-2



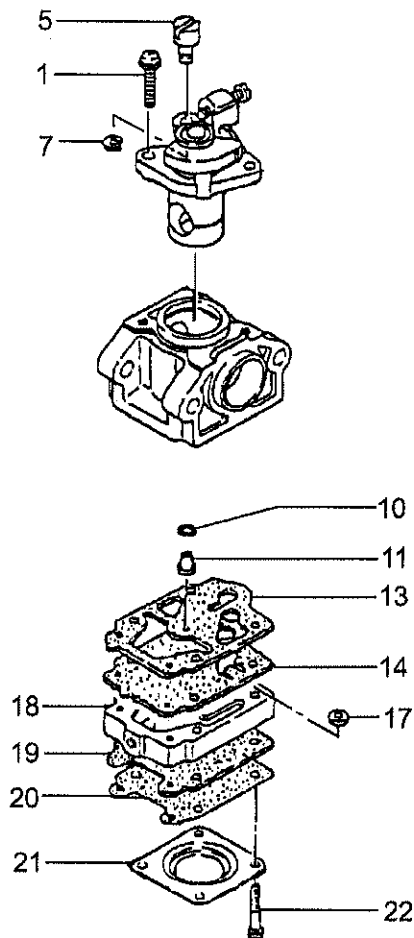
REF. NUMBER	PARTS NUMBER	DESCRIPTION	Q'TY	REMARKS /SERIAL NO.
S01-04 ENGINE-2				
003	669-2796	MUFFLER PROTECTOR	1	
004	669-2744	MUFFLER GASKET	1	
005	668-7252	HEAT SHIELD	1	
006	669-2478	MUFFLER SET	1	
007	668-4661	WASHER 5	2	
008	668-5114	HEX. SOCKET HD. BOLT M5X50	2	
021	669-2883	MUFFLER SPECIAL GASKET	1	
022	669-2663	TALE PIPE SET	1	
024	669-5325	SCREW 4X8/S	2	
061	668-4636	TAPPING SCREW D4.5X16	1	
062	669-5441	BOLT 4X12PS	2	

S01-05 RECOIL STARTETR



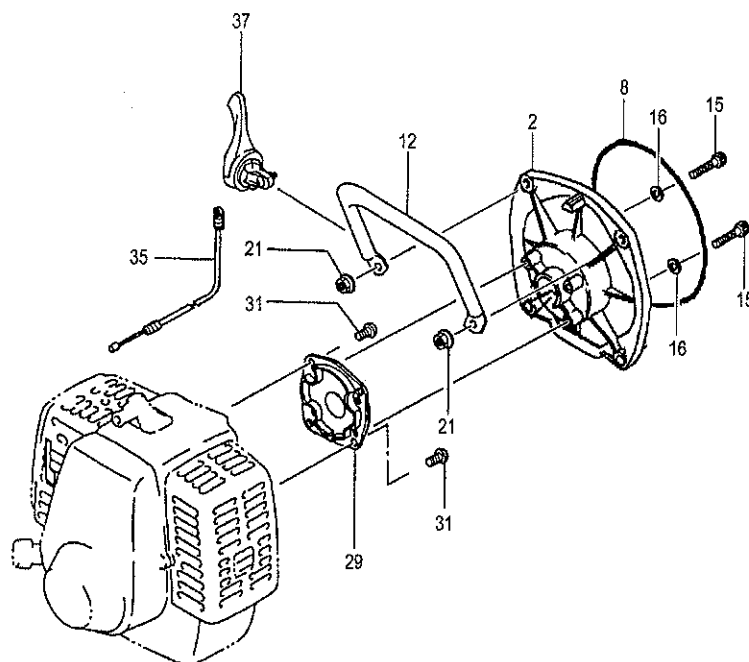
REF. NUMBER	PARTS NUMBER	DESCRIPTION	Q'TY	REMARKS /SERIAL NO.
S01-05 RECOIL STARTER				
011	668-7012	FANCASE COMP., VERMILION	1	
012	668-4675	RECOIL SPRING	1	
013	669-3066	STARTER ROPE REEL	1	
015	669-3633	SET SCREW	1	
016	669-3405	STARTER PULLEY ASS'Y	1	
017	668-8050	GROMMET	1	
018	669-3168	STARTER ROPE	1	
019	669-3237	STARTER HANDLE	1	
020	669-5374	SCREW 4X16/PS	3	
065	668-4684	STARTER PAWL SPRING	1	
066	669-3319	STARTER PAWL	1	

S01-06 CARBURETOR



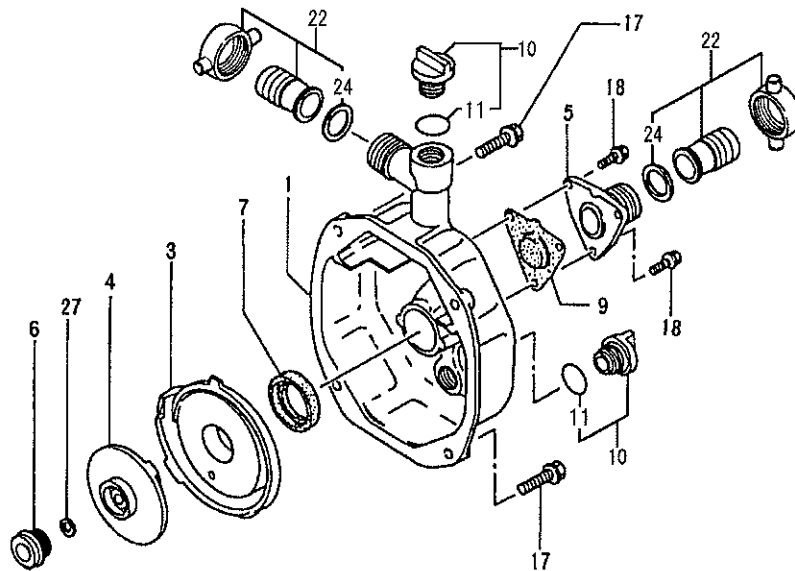
REF. NUMBER	PARTS NUMBER	DESCRIPTION	Q'TY	REMARKS /SERIAL NO.
S01-06 CARBURETOR				
001	668-4698	THROTTLE SET SCREW	2	
005	668-4697	SWIVEL	1	
007	668-4696	STOP RING	1	
010	668-4695	O-RING	1	
011	669-1845	MAIN JET #40	1	
013	669-1457	PUMP GASKET	1	
014	668-4693	PUMP DIAPHRAGM	1	
017	668-4700	INLET SCREEN	1	
018	669-1432	PUMP BODY COMP.	1	
019	668-5220	DIAPHRAGM PACKING	1	
020	669-0827	METERING DIAPHRAGM COMP.	1	
021	668-5222	DIAPHRAGM COVER	1	
022	669-1312	SET SCREW	4	

S01-07 PUMP-1



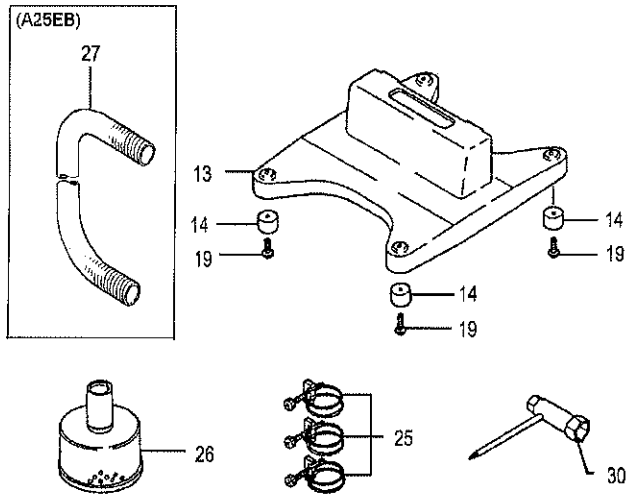
REF. NUMBER	PARTS NUMBER	DESCRIPTION	Q'TY	REMARKS /SERIAL NO.
S01-07 PUMP-1				
002	668-8640	END PLATE A	1	
008	669-5688	O-RING G140	1	
012	668-6732	HANDLE A	1	
015	669-4976	BOLT 5X25	4	
016	668-9684	WASHER A	4	
021	669-5171	FLANGE NUT 8	2	
029	668-9247	COUPLING FLANGE	1	
031	669-5358	SCREW 6X16/S	4	
035	669-3909	THROTTLE WIRE COMP. 4T	1	
037	669-3683	THROTTLE LEVER, 16 DIA.	1	

S01-08 PUMP-2



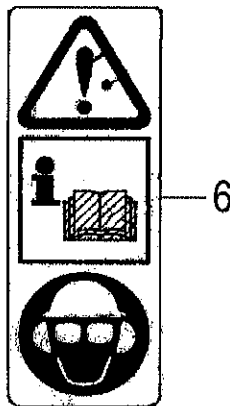
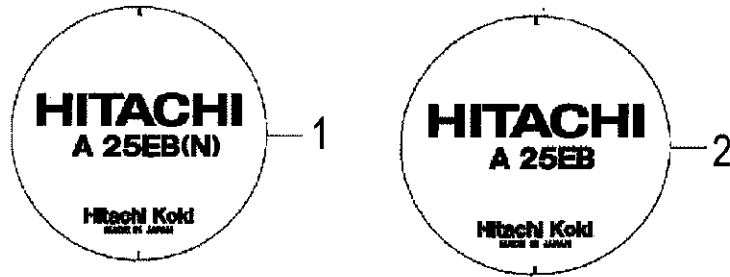
REF. NUMBER	PARTS NUMBER	DESCRIPTION	Q'TY	REMARKS /SERIAL NO.
S01-08 PUMP-2				
001	668-9180	CASING A	1	
003	668-9002	VOLUTE CHAMBER A	1	
004	668-5958	IMPELLER A	1	
005	668-9132	SUCTION PLATE A	1	
006	668-7496	MECHANICAL SEAL ASS'Y A	1	
007	668-9039	VOLUTE CHAMBER GASKET A	1	
009	668-9535	SUCTION PALTE PACKING	1	
010	668-9659	PRIMER PLUG	2	
011	669-5675	O-RING, P-24	2	
017	669-5480	FLANGE BOLT 8X35	4	
018	669-5477	FLANGE BOLT 6X16	3	
022	668-6258	WATER COUPLING ASS'Y A	2	
024	668-6340	COUPLING PACKING	2	
027	668-5978	IMPELLER SHAFT SHIM A 0.3	V	

S01-09 BED/OPTIONAL PARTS



REF. NUMBER	PARTS NUMBER	DESCRIPTION	Q'TY	REMARKS /SERIAL NO.
S01-09 BED/OPTIONAL PARTS				
013	668-6629	BED A	1	
014	668-9060	CUSHION RUBBER A	4	
019	669-5251	TAPPING SCREW 5X14	4	
025	668-7219	WIRE BAND A 25	3	
026	668-6782	FILTER COMP. A	1	
027	668-7937	SUCTION HOSE A 3M	1	
030	668-4979	COMBI BOX SPANNER 13X19 PLUS	1	

S01-10 LABELS



REF. NUMBER	PARTS NUMBER	DESCRIPTION	Q'TY	REMARKS /SERIAL NO.
S01-10 LABELS				
001	669-5730	NAME PLATE A25EB(N)	1	
002	669-5731	NAME PLATE A25EB	1	
006	669-4560	CAUTION MARK	1	