

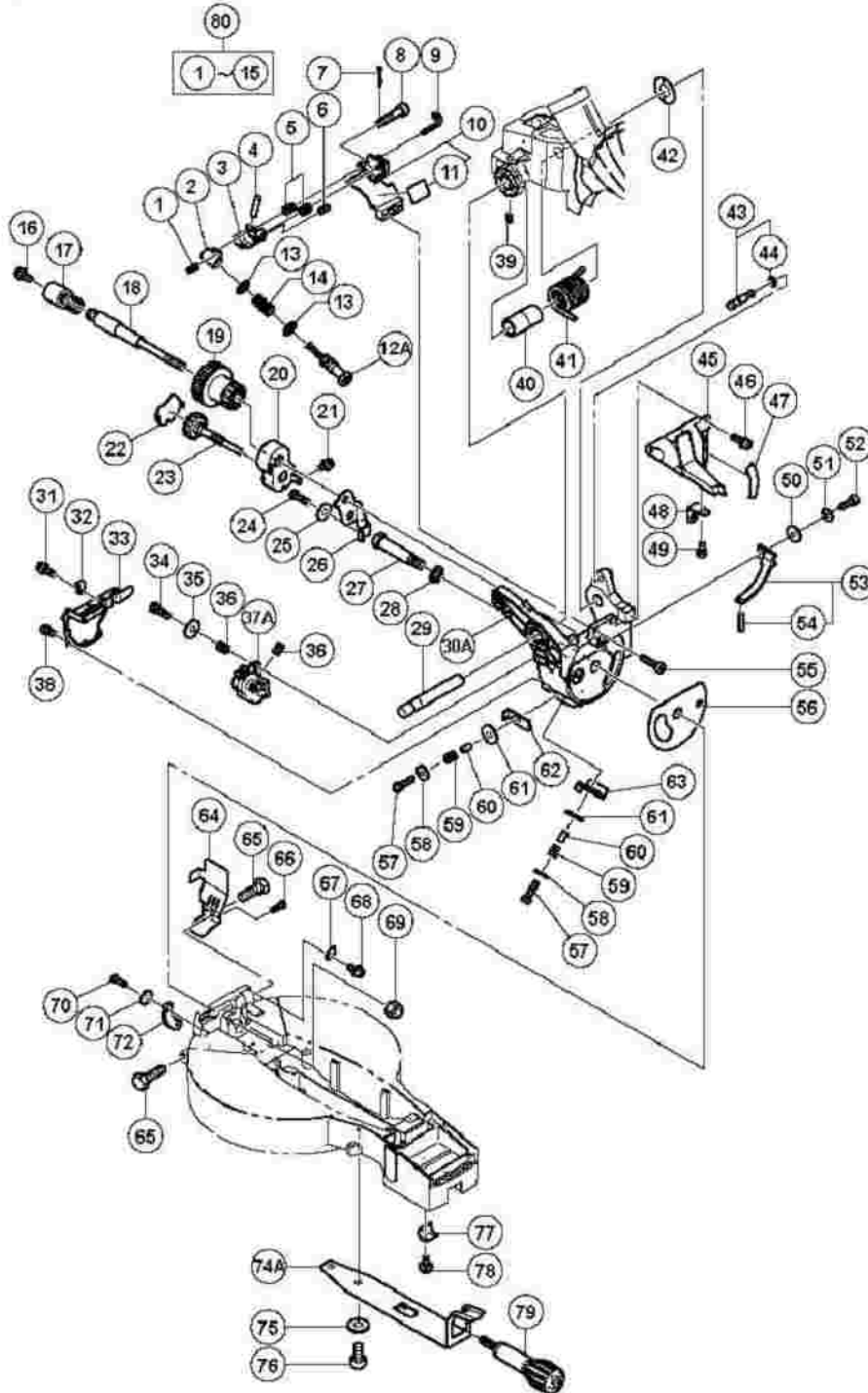
**Hitachi Power Tools**

LIST NO. E938

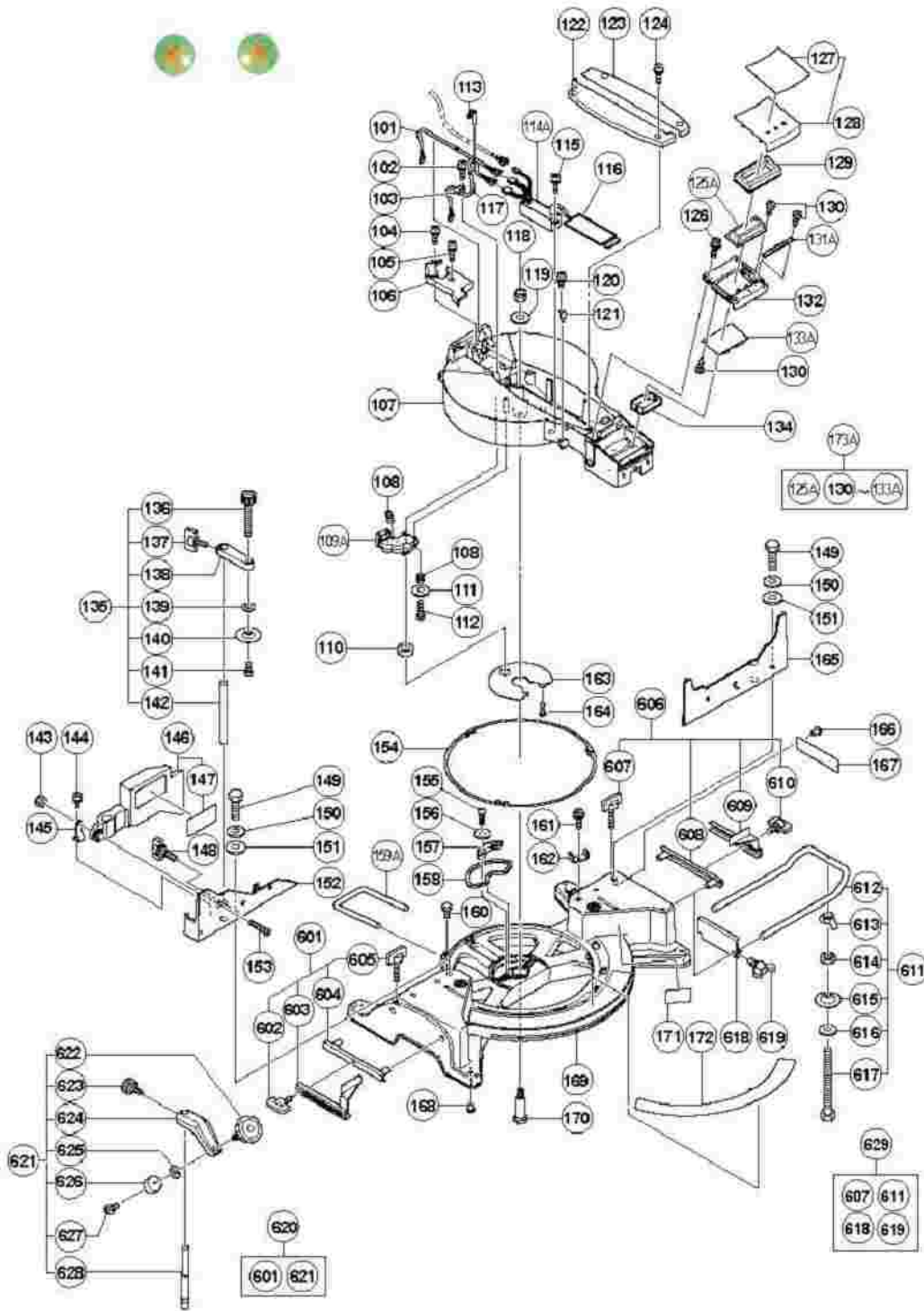
**ELECTRIC TOOL PARTS LIST**

■ **COMPOUND SAW**  
**Model C 12LCH**

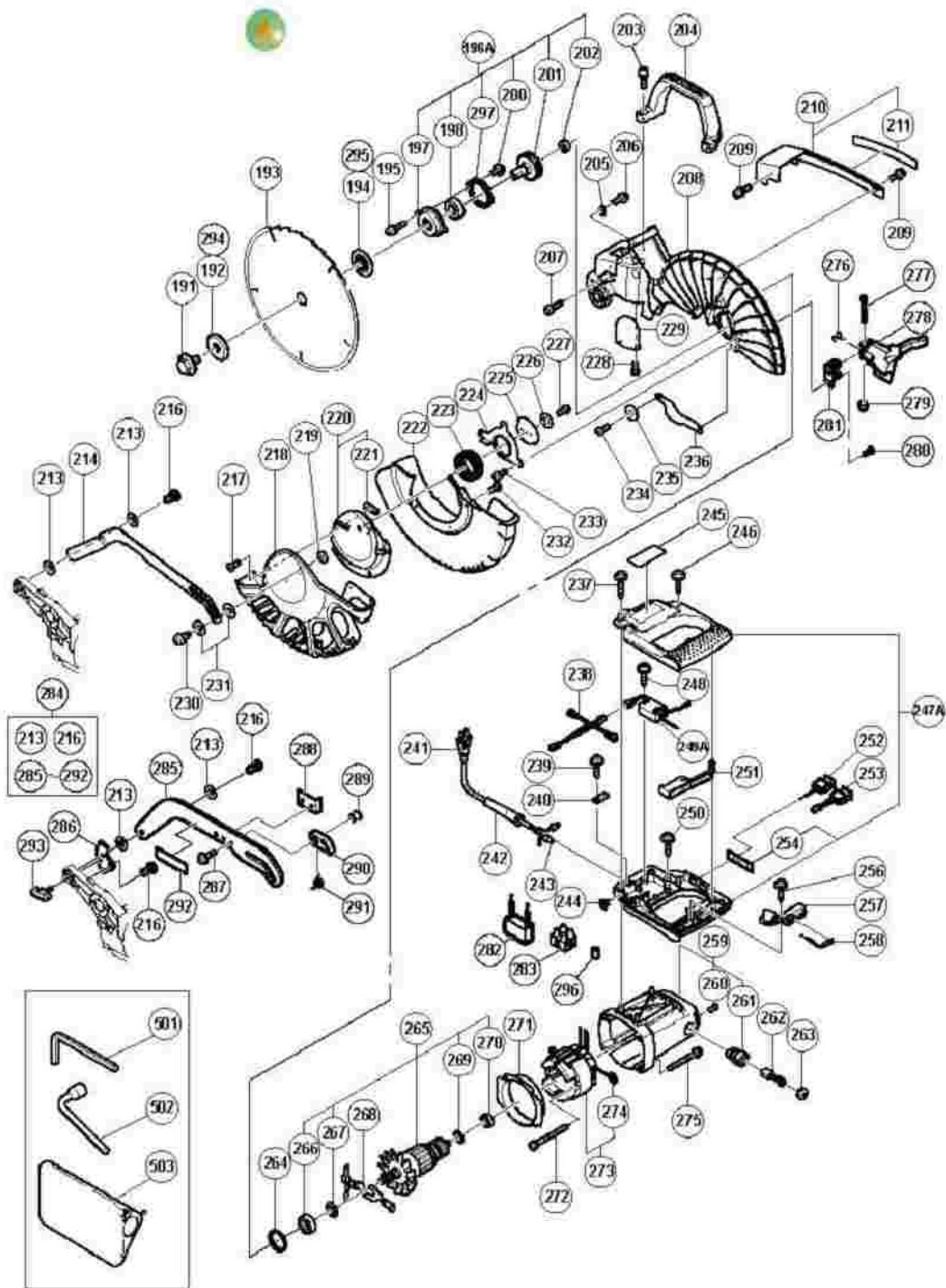
2006·12·1  
(E2-2)



C 12LCH



C 12LCH



## C12LCH

Pos. Nr.	Art. Nr.	Beschreibung	Stueck	Kommentar	Beschreibung
1	323-141		1		SPRING (B)
2	323-137		1		LASER HOLDER (A)
3	323-138		1		LASER HOLDER (B)
4	949-900	ROLLSTIFT D3X14 (10ST) NV65AD3	1		ROLL PIN D3X14 (10 PCS)
5	323-142		2		SPRING (C)
6	962-782	INBUSSCHRAUBE M5X6 CM6/D13/u.a.	1		HEX. SOCKET SET SCREW M5X6
7	949-531		1		SPLIT PIN D2X12 (10 PCS)
8	323-144		1		SPECIAL BOLT M5
9	975-144		1		CABLE TIE
10	323-139		1	INCLUD.11	LASER BASE ASS'Y
11			1		CAUTION LABEL (A)
12A	324-711		1	INCLUD.15	LASER MODULE (A)
13	323-143		2		WASHER
14	323-140		1		SPRING (A)
15	323-136		1		LASER COVER
16	323-208		1		MACHINE SCREW (W/WASHERS M6X20 (BLACK)
17	322-935		1		CLAMP LEVEL
18	323-665		1		BOLT (LEFT HAND) M10
19	323-666		1		KNOB (A)
20	323-597		1		GEAR BOX (C)

21	304-043	+KOPFSCHRAUBE M4X10 M.U.-SCHEIBE	1		MACHINE SCREW (W/WASHERS M4X10 (BLACK)
22	323-598		1		GEAR BOX (C COVER
23	323-599		1		PINION
24	949-821	INBUSSCHRAUBE M5X16 (10ST)	1		HEX. SOCKET HD. BOLT M5X16 (10 PCS.)
25	949-454	FEDERSCHEIBE M5 (10ST)	1		SPRING WASHER M5 (10 PCS.)
26	323-596		1		HINGE PLATE
27	322-933		1		SHAFT (D)
28	322-934		1		WASHER M16
29	323-593		1		SHAFT (C)
30A	323-663		1		HINGE
31	993-539	+KOPFSCHRAUBE M4X16 M.U.SCHEIBE	1		MACHINE SCREW (W/WASHERS M4X16
32	980-523		1		NYLON CLIP
33	323-600		1		HINGE COVER
34	949-241	+KOPFSCHRAUBE M5X20 (10ST)	1		MACHINE SCREW M5X2 (10 PCS.)
35	949-432	UNTERLEGSCHNEIBE M6 (10ST)	1		BOLT WASHER M6 (10 PCS.)
36	323-142		2		SPRING (C)
37A	323-619		1		ENCODER
38	949-216	+KOPFSCHRAUBE M4X10 (10ST)	4		MACHINE SCREW M4X1 (10 PCS.)
	307-				SEAL LOCK HEX. SOCKET

39	956		1		SET SCREW M6X10
40	323-594		1		SLEEVE
41	323-595		1		SPRING (A)
42	323-684		1		LINER (D)
43	302-518	HALTESTIFT KOMPL. C8FS	1	INCLUD.44	STOPPER PIN ASS'Y
44	984-528		1		O-RING (P-6)
45	323-601		1	INCLUD.47-49	DUST GUIDE ASS'Y
46	990-541	+KOPFSCHRAUBE M5X16 M.U.SCHEIBE	2		MACHINE SCREW (W/WASHERS M5X16
47	323-602		1		SCALE (B)
48	322-963		1		DUST GUIDE HOLDER
49	949-214	+KOPFSCHRAUBE M4X6 (10ST)	1		MACHINE SCREW M4X6 (10 PCS.)
50	949-431	UNTERLEGSCHIEBE M5 (10ST)	1		BOLT WASHER M5 (10 PCS.)
51	949-454	FEDERSCHIEBE M5 (10ST)	1		SPRING WASHER M5 (10 PCS.)
52	949-821	INBUSSCHRAUBE M5X16 (10ST)	1		HEX. SOCKET HD. BOLT M5X16 (10 PCS.)
53	323-664		1	INCLUD.54	GEAR (C) ASS'Y
54	949-900	ROLLSTIFT D3X14 (10ST) NV65AD3	1		ROLL PIN D3X14 (10 PCS)
55	949-660	INBUSSCHRAUBE M6X20 (10ST)	2		HEX. SOCKET HD. BOLT M6X20 (10 PCS.)
56	323-683		1		LINER (B)
57	949-221	+KOPFSCHRAUBE M4X20 (10ST)	2		MACHINE SCREW M4X2 (10 PCS.)
	949-	UNTERLEGSCHIEBE M4			WASHER M4

58	423	(10ST)	2		(10 PCS.)
59	323-142		2		SPRING (C)
60	303-006		2		SPACER D4X1
61	949-432	UNTERLEGSCHLEIBE M6 (10ST)	2		BOLT WASHER M6 (10 PCS.)
62	323-662		1		BEVEL PLATE (B)
63	323-661		1		BEVEL PLATE (A)
64	323-659		1		COVER (A)
65	303-409	SECHSKANTSCHRAUBE M8X25(SELBSTS.)	2		NYLOCK BOLT M8X25
66	935-196	+KOPFSCHRAUBE M4X12 M.U.-SCHEIBE	2		MACHINE SCREW (W/WASHERS M4X12 (BLACK))
67	322-893		1		INDICATOR (I)
68	304-043	+KOPFSCHRAUBE M4X10 M.U.-SCHEIBE	1		MACHINE SCREW (W/WASHERS M4X10 (BLACK))
69	680-418		1		NYLON NUT M12
70	949-217	+KOPFSCHRAUBE M4X12 (10ST)	2		MACHINE SCREW M4X1 (10 PCS.)
71	949-423	UNTERLEGSCHLEIBE M4 (10ST)	2		WASHER M4 (10 PCS.)
72	323-607		1		GEAR (B)
74A	323-627		1		SPRING PLATE
75	949-457	FEDERSCHLEIBE M8 (10ST)	2		SPRING WASHER M8 (10 PCS.)
76	949-655	INBUSSCHRAUBE M8X16 (10ST)	2		HEX. SOCKET HD. BOLT M8X16 (10 PCS.)
77	323-609		1		SPACER (A)
					MACHINE

78	307-635		2		SCREW (W/SP WASHER) M4X10
79	323-680		1		SIDE HANDLE
80	323-646		1	INCLUD.1-15	LASER HOLDER ASS'
101	323-658		1		CORD (A) LENGTH 380MM
102	993-539	+KOPFSCHRAUBE M4X16 M.U.SCHEIBE	1		MACHINE SCREW (W/WASHERS M4X16
103	973-313		1		NYLON CLIP
104	304-043	+KOPFSCHRAUBE M4X10 M.U.-SCHEIBE	1		MACHINE SCREW (W/WASHERS M4X10 (BLACK)
105	993-539	+KOPFSCHRAUBE M4X16 M.U.SCHEIBE	1		MACHINE SCREW (W/WASHERS M4X16
106	323-650		1		CORD COVER
107	323-624		1		TURN TABLE
108	323-142		2		SPRING (C)
109A	323-619		1		ENCODER
110	323-622		1		PACKING (B)
111	949-432	UNTERLEGSCHIEBE M6 (10ST)	1		BOLT WASHE M6 (10 PCS.)
112	949-241	+KOPFSCHRAUBE M5X20 (10ST)	1		MACHINE SCREW M5X2 (10 PCS.)
113	975-144		1		CABLE TIE
114A	323-621		1		CONTROLLER
115	993-539	+KOPFSCHRAUBE M4X16 M.U.SCHEIBE	1		MACHINE SCREW (W/WASHERS M4X16



116	323-617		1		PACKING (C)
117	323-620		1		CORD (A) LENGTH 160MM
118	975-348		1		NYLON NUT M8
119	318-929		1		WASHER (F)
120	304-043	+KOPFSCHRAUBE M4X10 M.U.-SCHEIBE	1		MACHINE SCREW (W/WASHERS M4X10 (BLACK)
121	318-927		1		INDICATOR (L)
122	323-648		1		TABLE INSER (A)
123	323-649		1		TABLE INSER (B)
124	990-541	+KOPFSCHRAUBE M5X16 M.U.SCHEIBE	4		MACHINE SCREW (W/WASHERS M5X16
125A	323-612		1		MONITOR (A)
126	993-539	+KOPFSCHRAUBE M4X16 M.U.SCHEIBE	4		MACHINE SCREW (W/WASHERS M4X16
127	323-616		1		PANEL SHEET (A)
128	323-615		1	INCLUD.127	INDICATION PANEL ASS'Y
129	323-608		1		PACKING (D)
130	321-672		10		TAPPING SCREW D2X6
131A	323-613		1		PRINTED CIRCUIT BOARD (B1)
132	323-611		1		MONITOR CASE (A)
133A	323-614		1		PRINTED CIRCUIT BOARD (B2)
134	323-618		1		INSULATING CASE

135	323-677		1	INCLUD.136-142	WISE ASS'Y
136	323-678		1		KNOB BOLT
137	301-806	FLÜGELSCHRAUBE M6X15	1		WING BOLT M6X15
138			1		SCREW HOLDER
139	949-432	UNTERLEGSCHLEIBE M6 (10ST)	1		BOLT WASHER M6 (10 PCS.)
140	302-532	SCHRAUSTOCKPLATTE C8FC	1		WISE PLATE
141	949-216	+KOPFSCHRAUBE M4X10 (10ST)	1		MACHINE SCREW M4X1 (10 PCS.)
142	322-954		1		WISE SHAFT
143	311-144		1		NYLON NUT M6
144	304-043	+KOPFSCHRAUBE M4X10 M.U.-SCHEIBE	1		MACHINE SCREW (W/WASHERS M4X10 (BLACK))
145	323-631		1		PLATE (C)
146	323-630		1	INCLUD.147	SUB FENCE ASS'Y
147			1		WARNING LABEL (H)
148	301-806	FLÜGELSCHRAUBE M6X15	1		WING BOLT M6X15
149	949-678		4		BOLT M8X35 (10 PCS.)
150	949-457	FEDERSCHLEIBE M8 (10ST)	4		SPRING WASHER M8 (10 PCS.)
151	949-433	UNTERLEGSCHLEIBE M8 (10ST)	4		BOLT WASHER M8 (10 PCS.)
152	323-629		1		FENCE (B)
153	323-685		1		FLAT HD. SCREW M6X3
154	323-625		3		LINER (A)
155	302-317	+KOPFSCHRAUBE M5X16 (SCHWARZ)	2		MACHINE SCREW M5X1

					(BLACK)
156	949-431	UNTERLEGSCHIEBE M5 (10ST)	2		BOLT WASHER M5 (10 PCS.)
157	323-604		1		GEAR (A)
158	323-603		1		PACKING (A)
159A	322-910		1		HOLDER
160	949-610		1		BOLT M6X10 (10 PCS.)
161	987-512	+KOPFSCHRAUBE M5X16 M.FEDERRING	1		MACHINE SCREW (W/SP WASHER) M5X16
162	323-605		1		HOOK
163	323-623		1		DUST COVER
164	949-215	+KOPFSCHRAUBE M4X 8 (10ST)	1		MACHINE SCREW M4X8 (10 PCS.)
165	323-628		1		FENCE (A)
166	949-510	"NIETE D 2,5 X 4,8 (10ST)"	2	"FOR USA,CAN"	RIVET D2.5X4 (10 PCS.)
167			1		WARNING LABEL (A)
167	000-008D		0	"FOR USA,CAN"	
168	323-606		4		BASE RUBBER
169	324-622		1	"INCLUD.168,171,172"	BASE ASS'Y
169	323-655		1	"INCLUD.166-168,171,172 FOR USA,CAN"	BASE ASS'Y
170	323-626		1		SHAFT (B)
171			1		CAUTION LABEL (D)
171			1		CAUTION LABEL (C)
171	000-008D		0	"FOR USA,CAN"	
172	323-656		1		SCALE (A)
	323-				MONITOR

173A	610		1	"INCLUD.125,130-133"	ASS'Y
191	988-101		1		BOLT (A) M10
192	323-652		1	EXCEPT FOR EUROPE	WASHER (B)
193	323-522		1		TCT SAW BLADE 305MM D25.4 HOLE- NT32
193	324-268		1		TCT SAW BLADE 305MM D30 HOLE- NT32
193	324-269		1		TCT SAW BLADE 305MM D25.4 HOLE- NT120
194	323-651		1	EXCEPT FOR EUROPE	WASHER (A)
195	323-208		2		MACHINE SCREW (W/WASHERS M6X20 (BLACK)
196A	323-639		1	"(INCLUDE.197,198,200-202,297)"	SPINDLE ASS'
197	323-641		1		BEARING HOLDER
198	620-3VV	KUGELLAGER 6203VV	1		BALL BEARING 6203VVCMP52
200	304-043	+KOPFSCHRAUBE M4X10 M.U-SCHEIBE	2		MACHINE SCREW (W/WASHERS M4X10 (BLACK)
201	323-640		1		SPINDLE AND GEAR SET
202	608-VVM	KUGELLAGER 608 VVM	1		BALL BEARING 608VVC2PS2L
203	323-208		2		MACHINE SCREW (W/WASHERS M6X20 (BLACK)
204	322-924		1		HANDLE
	980-				

205	523		1		NYLON CLIP
206	935-196	+KOPFSCHRAUBE M4X12 M.U-SCHEIBE	1		MACHINE SCREW (W/WASHERS M4X12 (BLACK)
207	949-755	INBUSSCHRAUBE M6X16 (10ST)	1		HEX. SOCKET HD. BOLT M6X16 (10 PCS.)
208	323-638		1		GEAR CASE
209	993-539	+KOPFSCHRAUBE M4X16 M.U.SCHEIBE	2		MACHINE SCREW (W/WASHERS M4X16
210	323-653		1	INCLUD.211	GEAR CASE COVER ASS'Y
211	323-654		1	FOR POSITION ADJUSTMENT OF LASER LINE	CAUTION LABEL (B)
213	322-948		2		WASHER M7
214	323-674		1	EXCEPT FOR EUROPE	LINK
216	322-950		1		SPECIAL SCREW M6
216	322-950		2	FOR EUROPE	SPECIAL SCREW M6
217	318-363		1		FLAT HD. SCREW M4X1 (BLACK)
218	323-668		1		PROTECTIVE COVER (B)
219	949-454	FEDERSCHEIBE M5 (10ST)	1		SPRING WASHER M5 (10 PCS.)
220	323-672		1	INCLUD.221	COVER PLATI (B) ASS'Y
221	323-673		1		CUSHION
222	323-667		1		PROTECTIVE COVER (A)
223	323-671		1		RETURN SPRING
224	323-669		1		COVER PLATI (A)
	323-				COVER

225	670		1		WASHER
226	949-454	FEDERSCHEIBE M5 (10ST)	1		SPRING WASHER M5 (10 PCS.)
227	949-236	+KOPFSCHRAUBE M5X10 (10ST)	1		MACHINE SCREW M5X1 (10 PCS.)
228	949-216	+KOPFSCHRAUBE M4X10 (10ST)	1		MACHINE SCREW M4X1 (10 PCS.)
229	322-926		1		LASER COVER (A)
230	322-947		1		SPECIAL SCREW (C) M:
231	322-938		2		WASHER M10
232	949-215	+KOPFSCHRAUBE M4X 8 (10ST)	3		MACHINE SCREW M4X8 (10 PCS.)
233	323-040		3		MACHINE SCREW M5X1 (BLACK)
234	323-040		2	"FOR EUROPE,USA,CAN,AUS"	MACHINE SCREW M5X1 (BLACK)
235	949-431	UNTERLEGSCHIEBE M5 (10ST)	1	"FOR EUROPE,USA,CAN,AUS"	BOLT WASHER M5 (10 PCS.)
236	323-675		1	"FOR EUROPE,USA,CAN,AUS"	SPINDLE COVER
237	307-028	SCHNEIDSCHRAUBE D4X25 MIT FLANSCH	2		TAPPING SCREW (W/FLANGE) D4X25 (BLACK)
238	323-632		1		CORD (B)
239	984-750	SCHNEIDSCHRAUBE D4X16 MIT FLANSCH	2		TAPPING SCREW (W/FLANGE) D4X16
240	937-631	KABELKLEMME DIV.TYPEN	1		CORD CLIP
241	500-234Z	ANSCHLUSSKABEL MIT STECKER	1	(CORD ARMOR D10.7)	CORD
241	500-435Z		1	(CORD ARMOR D10.7) FOR GBR (230V)	CORD
241	500-461Z		1	(CORD ARMOR D10.7) FOR GBR (110V)	CORD

241	500-247Z	ANSCHLUSSKABEL MIT STECKER	1	(CORD ARMOR D10.7) FOR FIN	CORD
241	500-453Z		1	"(CORD ARMOR D10.7) FOR USA,CAN"	CORD
241	500-439Z		1	"(CORD ARMOR D10.7) FOR AUS,NZL"	CORD
241	500-456Z		1	(CORD ARMOR D10.7) FOR CHN	CORD
242	940-778	KABELKNICKSCHUTZ D10.7 DIV.TYPEN	1		CORD ARMOF D10.7
243	959-141	VERBINDER 50092 (10ST) DIV.TYPEN	2	"FOR USA,CAN"	CONNECTOR 50092 (10 PCS.
244	319-349		1		CORD BUSH
245			1		NAME PLATE
246	301-653	SCHNEIDSCHRAUBE D4X20 MIT FLANSCH	4		TAPPING SCREW (W/FLANGE) D4X20 (BLACK)
247A	324-952		1	INCLUD.254	SWITCH HANDLE (C). (D) SET
248	984-750	SCHNEIDSCHRAUBE D4X16 MIT FLANSCH	1		TAPPING SCREW (W/FLANGE) D4X16
249	322-911		1	"FOR USA,CAN"	SWITCHING POWER SUPPLY
249A	323-978		1		SWITCHING POWER SUPPLY
249A	324-322		1		SWITCHING POWER SUPPLY
250	301-653	SCHNEIDSCHRAUBE D4X20 MIT FLANSCH	2		TAPPING SCREW (W/FLANGE) D4X20 (BLACK)
251	323-645		1		SWITCH LEVER (A)
252	323-634		1		SWITCH (A) (1 TYPE)
253	323-635		1		SWITCH (B) (1 TYPE)
	323-				SWITCH

254	644		1		LABEL (A)
256	984-750	SCHNEIDSCHRAUBE D4X16 MIT FLANSCH	1		TAPPING SCREW (W/FLANGE) D4X16
257	320-950		1		SWITCH (1P SCREW TYPE)
258	323-983		1		INTERNAL WIRE (D)
258	323-633		1	"FOR USA,CAN"	INTERNAL WIRE (A)
259	322-914		1	"INCLUD.260,261"	HOUSING ASS'Y
260	938-477	INBUSSTIFTSCHRAUBE M5X8	2		HEX. SOCKET SET SCREW M5X8
261	938-241	KOHLLENHALTER BM25Y/P20SD/P50	2		BRUSH HOLDER
262	999-038	KOHLLENBÜRSTEN (PAAR)	2	FOR 110V-120V	CARBON BRUSH (1 PAIR)
262	999-065		2	FOR 220V-240V	CARBON BRUSH (1 PAIR)
263	945-161	KOHLLENKAPPE C6U/C7U u.a.	2		BRUSH CAP
264	303-792	GUMMIRING C9U	1		RUBBER RING
265	360-684U		1	"INCLUD.266,267,269,270"	ARMATURE ASS'Y 110V- 120V
265	360-710E		1		ARMATURE 220V-230V
265	360-710F		1		ARMATURE 240V
266	620-2VV	KUGELLAGER 6202 VV	1		BALL BEARING 6202VVCMP52
267	980-700	STAUBSCHEIBE (B) DH40FA/FB/MA/MB	1		DUST WASHER (B)
268	323-637		1		LOCK LEVER
269	302-428		1		WASHER (A)
270	600-0VV	KUGELLAGER 6000 VV	1		BALL BEARING 6000VVCMP52



271	322-915		1		FAN GUIDE
272	953-174	SCHNEIDSCHRAUBE D5X55	2		HEX. HD. TAPPING SCREW D5X55
273	340-603D		1	INCLUD.274	STATOR ASS" 110V
273	340-603C		1	INCLUD.274	STATOR ASS" 120V
273	340-603E		1	INCLUD.274	STATOR ASS" 220V
273	340-625E		1	INCLUD.274	STATOR ASS" (B) 230V
273	340-633E		1	INCLUD.274 FOR NZL	STATOR ASS" (C) 230V
273	340-625F		1	INCLUD.274	STATOR ASS" (B) 240V
274	937-623	KOHLLENHALTERKLEMMER	2		BRUSH TERMINAL
275	322-123		4		MACHINE SCREW (W/WASHERS M5X40 (BLACK)
276	324-625		1	FOR EUROPE	LEVER SPRIN (A)
277	323-990		1	FOR EUROPE	LEVER SHAFT
278	324-626		1	FOR EUROPE	LOCK LEVER (D)
279	877-371	NYLONMUTTER M5 NV83A/NR83A	1	FOR EUROPE	NYLON NUT M5
280	949-236	+KOPFSCHRAUBE M5X10 (10ST)	2	FOR EUROPE	MACHINE SCREW M5X1 (10 PCS.)
281	324-627		1	FOR EUROPE	LEVER HOLDER (A)
282	930-039	KONDENSATOR C6U-C13U u.a.	1	FOR EUROPE	NOISE SUPPRESSOR
283	958-308Z	SCHRAUBKLEMME 2-REIHIG DIV.TYPEN	1	"EXCEPT FOR USA,CAN"	PILLAR TERMINAL (A)
284	324-630		1	"INCLUD.213,216,285-292 FOR EUROPE"	LINK (B) ASS"
285	324-631		1	FOR EUROPE	LINK (B)
286	324-632		1	FOR EUROPE	LINK (C)

287	935-196	+KOPFSCHRAUBE M4X12 M.U-SCHEIBE	3	FOR EUROPE	MACHINE SCREW (W/WASHERS M4X12 (BLACK)
288	323-985		1	FOR EUROPE	STOP PLATE
289	323-988		1	FOR EUROPE	RETURN SHAFT
290	323-989		1	FOR EUROPE	RETURN PLATE
291	323-984		1	FOR EUROPE	RETURN SPRING (A)
292			1		CAUTION LABEL (F)
292	000-008D		0	FOR EUROPE	
293	302-459	FLÜGELSCHRAUBE M6X17	1	FOR EUROPE	WING BOLT M6X17
294	324-633		1	FOR EUROPE	WASHER (D)
295	324-634		1	FOR EUROPE	WASHER (C)
296	324-518		1	FOR GBR (110V)	FERRITE COR
297	326-825		1		BEARING COVER
501	944-458	INBUSSCHLÜSSEL D4(M5)	1		HEX. BAR WRENCH 4MM
502	985-051		1		BOX WRENCH 17MM
503	322-955		1		DUST BAG (BLACK)
601	323-546		1	INCLUD.602-605	CROWN MOLDING STOPPER (L) ASS'Y
602	301-806	FLÜGELSCHRAUBE M6X15	1		WING BOLT M6X15
603			1		CROWN MOLDING STOPPER (L)
604	321-390		1		CROWN MOLDING STOPPER HOLDER
605	323-682		1		WING BOLT M6X85

606	323-547		1	INCLUD.607-610	CROWN MOLDING STOPPER (R) ASS'Y
607	323-682		2		WING BOLT M6X85
608	321-390		1		CROWN MOLDING STOPPER HOLDER
609			1		CROWN MOLDING STOPPER (R)
610	301-806	FLÜGELSCHRAUBE M6X15	1		WING BOLT M6X15
611	323-657		1	INCLUD.612-617	HOLDER ASS'
612	321-549		1		HOLDER
613	949-313	FLÜGELMUTTER M6 (10ST)	1		WING NUT M6 (10 PCS.)
614	949-556	MUTTER M6 (10ST)	1		NUT M6 (10 PCS.)
615	322-047		1		WISE PLATE
616	949-425	UNTERLEGSCHIEBE M6 (10ST)	1		WASHER M6 (10 PCS.)
617	323-681		1		HIGH TENSIO BOLT M6X105
618	974-561		1		STOPPER
619	949-404		1		WING BOLT M6X20 (10 PCS.)
620	323-545		1	"INCLUD.601,621"	CROWN MOLDING VISE ASS'Y
621	322-957		1	INCLUD.622-628	VISE (B) ASS'Y
622	321-551		1		KNOB BOLT M10X54
623	998-836	KNAUFSCHRAUBE M6X11 C8FC/FS	1		KNOB BOLT M6X11
624			1		SCREW HOLDER (B)
625	306-985		1		WASHER (H)

626	964-851	GUMMIFUSS C8FS	1		BASE RUBBER
627	304-043	+KOPFSCHRAUBE M4X10 M.U-SCHEIBE	1		MACHINE SCREW (W/WASHERS M4X10 (BLACK)
628	318-967		1		WISE SHAFT
629	323-523		1	"INCLUD.607,611,618,619"	GUIDE ASS'Y
630	305-546		1		TCT SAW BLADE 305MM D25.4 HOLE- NT60