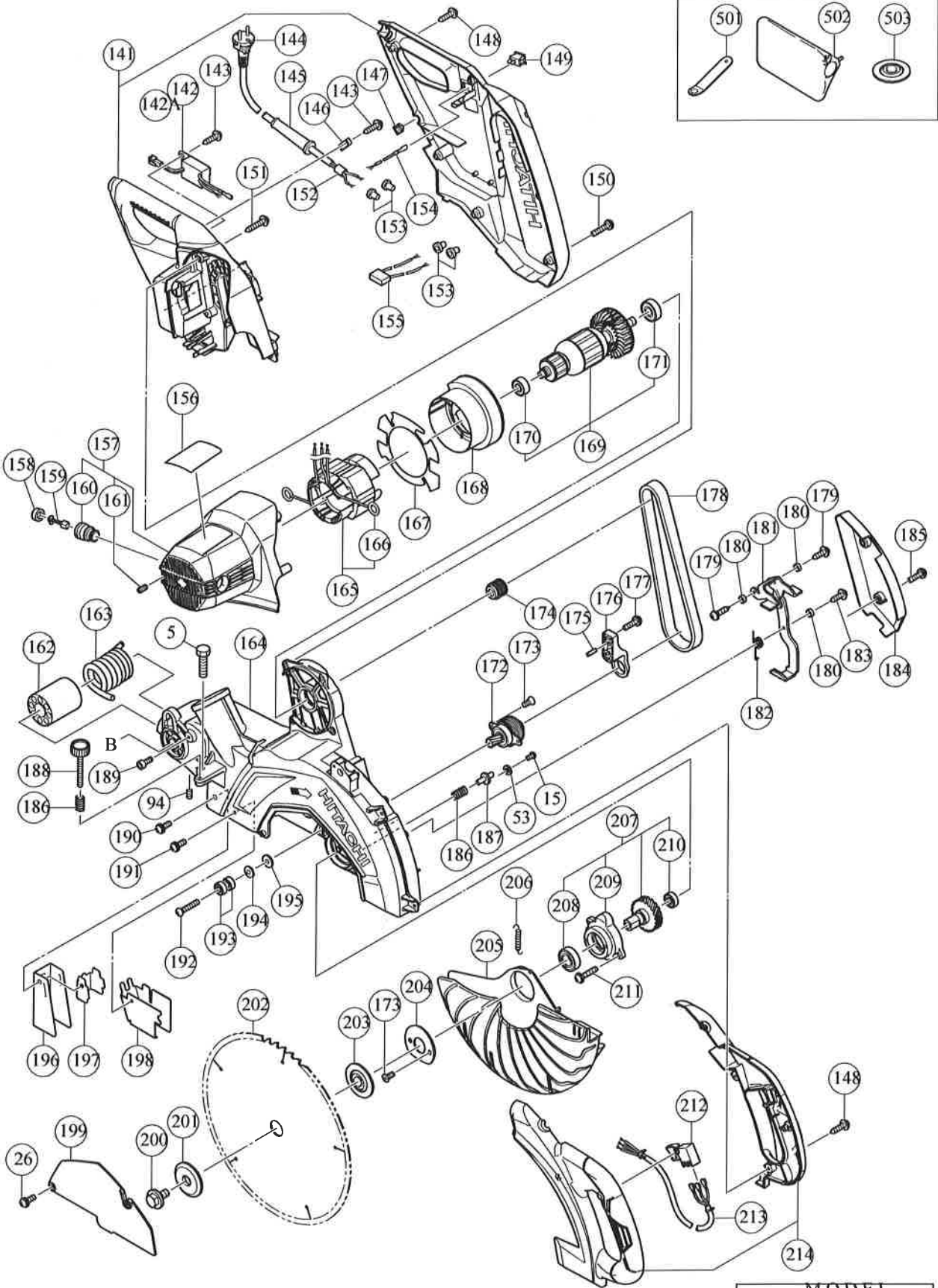


Rev.3

MODEL
C12RSH2(2/3)



Rev.3

MODEL
C12RSH2(3/3)

Partslist C12RSH2

em N	Code No.	Description	o. use	Remarks
1	339629	SHAFT (C) D16	1	
2	324612	NYLOCK HEX. SOCKET SET SCREW M8X16	1	
3	339633	TURN TABLE	1	
4	324416	SCALE (B)	1	
5	303409	NYLOCK BOLT M8X25	3	
6	324411	TABLE INSERT (B)	1	
7	302317	MACHINE SCREW M5X16 (BLACK)	6	
8	324410	TABLE INSERT (A)	1	
9	324401	SHAFT (B)	1	
10	955818	BOLT WASHER M16	2	
11	324402	SPRING (B)	1	
12	949217	MACHINE SCREW M4X12 (10 PCS.)	5	
13	321329	INDICATOR	3	
14	321342	SPACER (A)	1	
15	949215	MACHINE SCREW M4X8 (10 PCS.)	8	
16	321339	LEVER SHAFT	1	
17	334378	SHAFT (A)	1	
18	322283	SIDE HANDLE	1	
19		CAUTION LABEL (C)	1	
				FOR USA,CAN
20	321417	SPRING (E)	1	
21	322280	STOPPER (A)	1	
22	339624	WISE ASS'Y	1	INCLUD.23-29
23	339625	KNOB BOLT M10	1	
24	996722	WASHER	2	
25	322047	WISE PLATE	1	
26	996247	MACHINE SCREW (W/WASHERS) M5X12 (BL	3	
27		SCREW HOLDER	1	
28	307956	SEAL LOCK HEX. SOCKET SET SCREW M6X10	1	
29	339626	WISE SHAFT	1	
30	339657	SUB FENCE (B)	1	
31	307221	BOLT (W/WASHERS) M8X35 (BLACK)	4	
32	322959	WING BOLT M6X22	2	
33	339628	FENCE (B)	1	
34	998834	HOLDER	1	
35	949610	BOLT M6X10 (10 PCS.)	1	
36	339631	BASE ASS'Y	1	INCLUD.52
37	324395	COVER (B)	1	
38	324396	SHAFT (C) D6	1	
39	321336	PIN COVER	1	
40	324400	LINER	3	
41	949431	BOLT WASHER M5 (10 PCS.)	1	
42	321331	PLATE	1	
43	995096	MACHINE SCREW (W/WASHERS) M5X20 (BL	1	
44	321338	LEVER	1	

Gesellschaft
 Shuichi Shiina, Hiroyuki Usuku, Masami Nakagawa
 Sitz der Gesellschaft: 47877 Willich
 Handelsregister: HRB 2604
 Amtsgericht Krefeld

Hitachi Power Tools Europe GmbH
 Siemensring 34 · 47877 Willich · Germany
 Telefon 021 54 / 49 93-0 · Telefax 021 54 / 49 93 50
USt.-Id-Nr. DE119106694 · Umsatzsteuer-Nr. 102/5820/0280
WEEE-Reg.-Nr. DE98229319

Banken: Deutsche Bank, Düsseldorf
 (BLZ 300 700 10) Konto Nr. 8 231 300
 IBAN: DE18300700100823130000
 BIC Code: DEUTDE33XXX
 Bank of Tokyo-Mitsubishi Ufj, Düsseldorf
 (BLZ 300 107 00) Konto Nr. 0511 018 465
 IBAN: DE70300107000000018465
 BIC Code: BOTKDE33

Es bestehen Vereinbarungen, aus denen sich nachträgliche Minderungen des Entgelts ergeben können.

45	321340	SPRING (D)	1
46	339656	SUB FENCE (A)	1
47	339627	FENCE (A)	1
51	323606	BASE RUBBER	1
52	370011	SCALE (A)	1
53	949429	BOLT WASHER M4 (10 PCS.)	13
54	935196	MACHINE SCREW (W/WASHERS) M4X12 (BL)	2
*81	948614	NYLON CLIP	1
*81	948193	NYLON CLIP	1 FOR USA,CAN,UAE (110V),GBR (110V)
*81	967579	NYLON CLIP	1 FOR TPE
*82	339732	HOLDER (A) ASS'Y	1 INCLUD.51,83,93,103
*82	339733	HOLDER (A) ASS'Y	1 INCLUD.51,83,93,103 FOR CHN
83	961554	HEX. SOCKET SET SCREW M8X10	4
84	339621	CLUTCH SCREW	1
85	339620	CLUTCH SPRING	1
86	339619	CLAMP LEVER	1
87	339618	BOLT (LEFT HAND) D10	1
88	339622	WASHER	1
89	339623	LINER (A)	1
90	324420	SET PIN (A)	1
91	326828	GUARD	1 EXCEPT FOR USA,CAN
92	331845	GUARD HOLDER	1 EXCEPT FOR USA,CAN
93		CAUTION LABEL (B)	1
94	307956	SEAL LOCK HEX. SOCKET SET SCREW M6X10	3
95	998879	KNOB BOLT	1 EXCEPT FOR USA,CAN
96	305558	TAPPING SCREW (W/FLANGE) D5X25 (BLACI	1 FOR USA,CAN
97	324372	GUARD ASS'Y	1 INCLUD.96 FOR USA,CAN
98	324421	GRIP	1
99	307294	MACHINE SCREW (W/WASHERS) M5X16 (BL	1
100	324415	BUSHING	1
101	324418	KNOB BOLT M6X25	1
102	947859	LOCK SPRING	1
103A	334458	SUPPORT	1
104	324414	BALL BUSHING	1
105	320183	COVER	1
106	324419	STOPPER PIN ASS'Y	1 INCLUD.107
107	872645	O-RING (P-9)	1
108	324387	HINGE SHAFT (A)	1
109	324467	HINGE (A)	1
110	312672	BASE RUBBER	1
111	319270	ADJUSTER	1
112	949237	MACHINE SCREW M5X12 (10 PCS.)	1
113	303854	SPACER	1
*114	324376	LINK	1
*114	328522	LINK	1 FOR EUROPE,GBR,RUS,AUS,NZL,BRA
115	319267	SPRING	3
116	319268	PLATE (B)	1

Geschäftsführer
 Shuichi Shiina, Hiroyuki Usuku, Masami Nakagawa
 Sitz der Gesellschaft: 47877 Willich
 Handelsregister: HRB 2604
 Amtsgericht Krefeld

Hitachi Power Tools Europe GmbH
 Siemensring 34 · 47877 Willich · Germany
 Telefon 0 21 54 / 49 93-0 · Telefax 0 21 54 / 49 93 50
 USt.-Id.-Nr. DE119106694 · Umsatzsteuer-Nr. 102/5820/0280
 WEEE-Reg.-Nr. DE98229319

Banken: Deutsche Bank, Düsseldorf
 (BLZ 300 700 10) Konto Nr. 8 231 300
 IBAN: DE18300700100823130000
 BIC Code: DEUTDE33XXX
 Bank of Tokyo-Mitsubishi Ufi, Düsseldorf
 (BLZ 300 107 00) Konto Nr. 0511 018 465
 IBAN: DE70300107000000018465
 BIC Code: BOTKDE33XXX

Es bestehen Vereinbarungen, aus denen sich nachträgliche Minderungen des Entgelts ergeben können.

117	305179	CLUTCH SPRING	2	
118	329863	LASER MARKER	1	
119	319541	SEAL LOCK HEX. SOCKET SET SCREW M5X6	2	
120	319271	COVER (A)	1	
121	322291	PLATE (A)	1	
122		CAUTION LABEL (J)	1	
123	305180	CLUTCH SCREW	1	
124	962614	ADJUSTING WASHER (B) T0.5	1	
125	319269	HOLDER (B)	1	
141	339644	HANDLE (L).(R) SET	1	
*142	323978	SWITCHING POWER SUPPLY	1	
*142	324322	SWITCHING POWER SUPPLY	1	FOR UAE,TPE,GBR (110V)
142A	371119	SWITCHING POWER SUPPLY	1	FOR USA,CAN
143	984750	TAPPING SCREW (W/FLANGE) D4X16	3	
*144	500247Z	CORD	1	(CORD ARMOR D10.1)
*144	500234Z	CORD	1	(CORD ARMOR D10.1) FOR RUS,INA,UAE(220V)
*144	500423Z	CORD	1	(CORD ARMOR D10.1) FOR GBR(230V),SIN,MAL
*144	500439Z	CORD	1	(CORD ARMOR D10.1) FOR AUS,NZL
*144	500453Z	CORD	1	(CORD ARMOR D10.1) FOR USA,CAN
*144	500474Z	CORD	1	(CORD ARMOR D10.1) FOR UAE (110V),TPE
*144	500455Z	CORD	1	(CORD ARMOR D10.1) FOR THA,PHI
*144	500463Z	CORD	1	(CORD ARMOR D10.1) FOR GBR (110V)
*144	500456Z	CORD	1	(CORD ARMOR D10.1) FOR CHN
*144	500487Z	CORD	1	(CORD ARMOR D10.1) FOR BRA
145	938051	CORD ARMOR D10.1	1	
146	937631	CORD CLIP	1	
147	319349	CORD BUSH	1	
148	301653	TAPPING SCREW (W/FLANGE) D4X20 (BLACI	7	
149	319503	SWITCH (W/COVER)	1	
150	880734	MACHINE SCREW (W/WASHERS) M5X25 (BL	4	
151	305558	TAPPING SCREW (W/FLANGE) D5X25 (BLACI	4	
152	324518	FERRITE CORE	1	EXCEPT FOR NZL,USA,CAN
*153	959141	CONNECTOR 50092 (10 PCS.)	4	
*153	959141	CONNECTOR 50092 (10 PCS.)	3	FOR NZL
154	324458	INTERNAL WIRE (C)	1	
*155	334380	NOISE SUPPRESSOR	1	EXCEPT FOR UAE,TPE,GBR (110V),USA,CAN
*155	336582	NOISE SUPPRESSOR	1	FOR UAE,TPE,GBR (110V)
156		NAME PLATE	1	
157	339643	HOUSING ASS'Y	1	INCLUD.160,161
158	945161	BRUSH CAP	2	
*159	999038	CARBON BRUSH (1 PAIR)	2	FOR 110V-120V
*159	999065	CARBON BRUSH (1 PAIR)	2	FOR 220V-240V
160	938241	BRUSH HOLDER	2	
161	938477	HEX. SOCKET SET SCREW M5X8	2	
162	324388	SLEEVE	1	
163	310898	SPRING	1	
164	339640	GEAR CASE	1	

Gez. 339640
 Shuichi Shiina, Hiroyuki Usuku, Masami Nakagawa
 Sitz der Gesellschaft: 47877 Willich
 Handelsregister: HRB 2604
 Amtsgericht Krefeld

Hitachi Power Tools Europe GmbH
 Siemensring 34 · 47877 Willich · Germany
 Telefon 0 21 54 / 49 93-0 · Telefax 0 21 54 / 49 93 50
USt.-Id.-Nr. DE119106694 · Umsatzsteuer-Nr. 102/5820/0280
WEEE-Reg.-Nr. DE98229319

Banken: Deutsche Bank, Düsseldorf
 (BLZ 300 700 10) Konto Nr. 8 231 300
 IBAN: DE18300700100823130000
 BIC Code: DEUTDE33XXX
 Bank of Tokyo-Mitsubishi Uffj, Düsseldorf
 (BLZ 300 107 00) Konto Nr. 0511 018 465
 IBAN: DE70300107000000018465
 BIC Code: BOTKDE33

Es bestehen Vereinbarungen, aus denen sich nachträgliche Minderungen des Entgelts ergeben können.

*165	340924D	STATOR ASS'Y (A) 110V	1	INCLUD.166
*165	340924C	STATOR ASS'Y (A) 120V	1	INCLUD.166
*165	340926E	STATOR ASS'Y (C) 230V	1	INCLUD.166 FOR NZL
*165	340925E	STATOR ASS'Y (B) 220V-240V	1	INCLUD.166
166	937623	BRUSH TERMINAL	2	
167	339734	END PLATE	1	
168	339642	FAN GUIDE	1	
*169	361021B	ARMATURE ASS'Y 110V-120V	1	INCLUD.170,171,174
*169	361021C	ARMATURE ASS'Y 220V-230V	1	INCLUD.170,171,174
*169	361021D	ARMATURE ASS'Y 240V	1	INCLUD.170,171,174
170	6000VV	BALL BEARING 6000VVCMP52L	1	
171	6201VV	BALL BEARING 6201VV	1	
172	339641	PINION SET	1	
173	949322	FLAT HD. SCREW M4X10 (10 PCS.)	4	
174	324443	PULLEY (A)	1	
175	983545	NEEDLE ROLLER	2	
176	325259	BEARING HOLDER (B)	1	
177	995096	MACHINE SCREW (W/WASHERS) M5X20 (BL)	2	
178	324427	BELT (200H10) 16X508	1	
179	307811	TAPPING SCREW (W/FLANGE) D4X16 (BLACK)	2	FOR EUROPE,GBR,RUS,AUS,NZL,BRA
180	302757	SPACER	3	FOR EUROPE,GBR,RUS,AUS,NZL,BRA
181	328518	LEVER	1	FOR EUROPE,GBR,RUS,AUS,NZL,BRA
182	322457	LEVER SPRING	1	FOR EUROPE,GBR,RUS,AUS,NZL,BRA
183	954878	MACHINE SCREW (W/WASHERS) M4X16	1	FOR EUROPE,GBR,RUS,AUS,NZL,BRA
184	339651	LEVER COVER	1	FOR EUROPE,GBR,RUS,AUS,NZL,BRA
*184	370443	LEVER COVER	1	FOR USA,CAN
185	995096	MACHINE SCREW (W/WASHERS) M5X20 (BL)	2	FOR EUROPE,GBR,RUS,AUS,NZL,BRA,USA,CAN
186	988821	LOCK SPRING	2	
187	307732	STOPPER PIN	1	
188	961468	KNOB BOLT M6X37	1	
189	877839	SEAL LOCK HEX. SOCKET HD. BOLT M5X10	1	
190	935196	MACHINE SCREW (W/WASHERS) M4X12 (BL)	1	
191	336342	MACHINE SCREW (W/WASHERS) M5X10 (BL)	1	FOR EUROPE,GBR,RUS,AUS,NZL
192	949260	MACHINE SCREW M6X25 (10 PCS.)	1	
193	606ZZM	BALL BEARING 606VV	2	
194	949455	SPRING WASHER M6 (10 PCS.)	1	
195	949425	WASHER M6 (10 PCS.)	1	
196	339649	DUST GUIDE	1	
197	339648	GUIDE HOLDER	1	
198	339650	GUARD (D)	1	FOR EUROPE,GBR,RUS,AUS,NZL
199	339653	SPINDLE COVER	1	
200	988101	BOLT (A) M10	1	
*201	339652	WASHER (B)	1	
*201	324633	WASHER (D)	1	FOR EUROPE,GBR,RUS,BRA
*202	328213	TCT SAW BLADE 305MM-D30 HOLE-NT60	1	
*202	328326	TCT SAW BLADE 305MM-D25.4 HOLE-NT60	1	
*202	324266	TCT SAW BLADE 305MM-D25.4 HOLE-NT126	1	

Gez. Handelsregister:
 Shuichi Shiina, Hiroyuki Usuku, Masami Nakagawa
 Sitz der Gesellschaft: 47877 Willich
 Handelsregister: HRB 2604
 Amtsgericht Krefeld

Hitachi Power Tools Europe GmbH
 Siemensring 34 · 47877 Willich · Germany
 Telefon 021 54 / 49 93-0 · Telefax 021 54 / 49 93 50
USt.-Id.-Nr. DE119106694 · Umsatzsteuer-Nr. 102/5820/0280
WEEE-Reg.-Nr. DE98229319

Banken: Deutsche Bank, Düsseldorf
 (BLZ 300 700 10) Konto Nr. 8 231 300
 IBAN: DE18300700100823130000
 BIC Code: DEUTDE33XXX
 Bank of Tokyo-Mitsubishi Ufj, Düsseldorf
 (BLZ 300 107 00) Konto Nr. 0511 018 465
 IBAN: DE70300107000000018465
 BIC Code: BOTKDE33

Es bestehen Vereinbarungen, aus denen sich nachträgliche Minderungen des Entgelts ergeben können.

*203	324452	WASHER (A)	1
*203	328520	WASHER (C)	1 FOR EUROPE,GBR,RUS,BRA
204	307731	COVER	1
*205	339654	PROTECTIVE COVER	1
*205	339655	PROTECTIVE COVER	1 FOR EUROPE,GBR,RUS,AUS,NZL
206	328188	RETURN SPRING (B)	1
207	324438	SPINDLE ASS'Y	1 INCLUD.208-210
208	327694	BALL BEARING 6003VVCM (NYLON RETAINE	1
209	324439	BEARING HOLDER	1
210	608VVM	BALL BEARING 608VVC2PS2L	1
211	333963	MACHINE SCREW (W/SP. WASHER) M5X20	2
212	324424	SWITCH (3P FASTON TYPE) W/O LOCK	1
*213	339636	INTERNAL WIRE (A)	1
*213	339637	INTERNAL WIRE (A)	1 FOR NZL
214	339646	SWITCH HANDLE (L).(R) SET	1
		STANDARD ACCESSORIES	
501	333732	WRENCH	1
502	322955	DUST BAG (BLACK)	1
503	328520	WASHER (C)	1 FOR AUS
		OPTIONAL ACCESSORIES	
601	960017	KNOB BOLT M6X32	2
602	974561	STOPPER	1
603	949404	WING BOLT M6X20 (10 PCS.)	1
604	324464	HOLDER ASS'Y	2 INCLUD.605-609
605	321549	HOLDER	2
606	949313	WING NUT M6 (10 PCS.)	2
607	949556	NUT M6 (10 PCS.)	2
608	322047	WISE PLATE	2
609	324412	HIGH TENSION BOLT M6X95	2
610	324369	EXTENSION HOLDER AND STOPPER	1 INCLUD.601-604
611	307956	SEAL LOCK HEX. SOCKET SET SCREW M6X10	1
612	339626	WISE SHAFT	1
613	304043	MACHINE SCREW (W/WASHERS) M4X10 (BL	1
614	964851	BASE RUBBER	1
615	322677	WASHER (H)	1
616	339661	SCREW HOLDER (B)	1
617	339662	KNOB BOLT M10	1
618	339660	WISE (B) ASS'Y	1 INCLUD.611-617
619	301806	WING BOLT M6X15	1
620		CROWN MOLDING STOPPER (L)	1
621	321390	CROWN MOLDING STOPPER HOLDER	1
622	339730	CROWN MOLDING STOPPER (L) ASS'Y	1 INCLUD.601,619-621
623	339731	CROWN MOLDING STOPPER (R) ASS'Y	1 INCLUD.601,624-626
624	321390	CROWN MOLDING STOPPER HOLDER	1
625		CROWN MOLDING STOPPER (R)	1
626	301806	WING BOLT M6X15	1

Geschäftsführer:
Shuichi Shiina, Hiroyuki Usuku, Masami Nakagawa
Sitz der Gesellschaft: 47877 Willich
Handelsregister: HRB 2604
Amtsgericht Krefeld

Hitachi Power Tools Europe GmbH
Siemensring 34 · 47877 Willich · Germany
Telefon 0 21 54 / 49 93-0 · Telefax 0 21 54 / 49 93 50
USt.-Id.-Nr. DE119106694 · Umsatzsteuer-Nr. 102/5820/0280
WEEE-Reg.-Nr. DE98229319

Banken: Deutsche Bank, Düsseldorf
(BLZ 300 700 10) Konto Nr. 8 231 300
IBAN: DE18300700100823130000
BIC Code: DEUTDE33XXX
Bank of Tokyo-Mitsubishi Ufj, Düsseldorf
(BLZ 300 107 00) Konto Nr. 0511 018 465
IBAN: DE70300107000000018465
BIC Code: BOTKDE33

Es bestehen Vereinbarungen, aus denen sich nachträgliche Minderungen des Entgelts ergeben können.