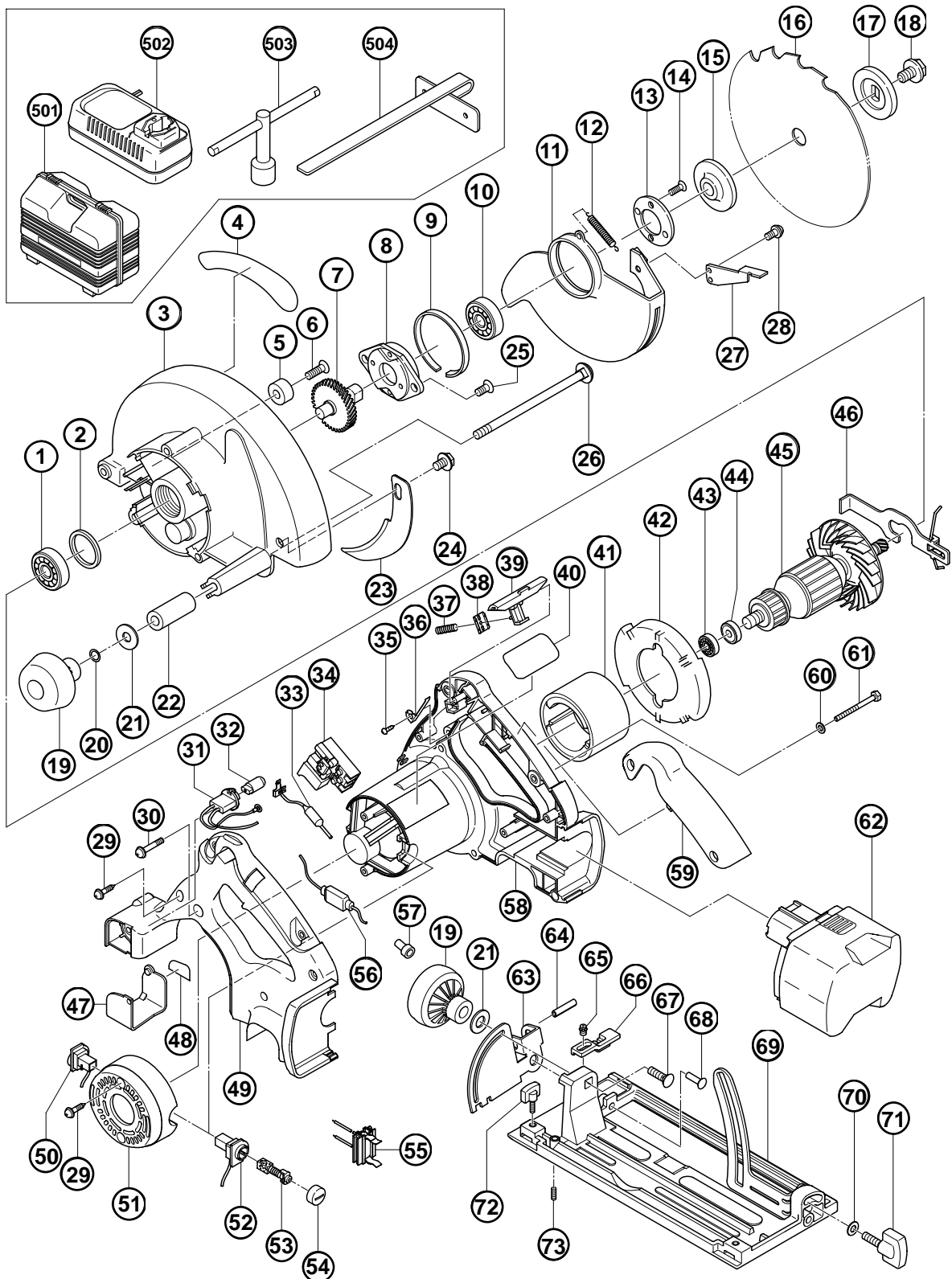


ELECTRIC TOOL PARTS LIST



■ CORDLESS CIRCULAR SAW Model C 6DD

2001・3・15
(E1)



PARTS

C 6DD

ITEM NO.	CODE NO.	DESCRIPTION	NO. USED	REMARKS
1	600-1VV	BALL BEARING 6001VVCMP2L	1	
2	958-130	RUBBER RING	1	
3	302-742	GEAR COVER ASS'Y	1	INCLUD.2,5,6
4		HITACHI LABEL	1	
5	961-729	CUSHION	1	
6	949-794	FLAT HD. SCREW M6X20 (10 PCS.)	2	
7	319-829	SPINDLE AND GEAR SET	1	
8	302-433	BEARING HOLDER	1	
9	961-807	BUSHING	1	
10	600-3VV	BALL BEARING 6003VVCMP2L	1	
11	302-461	SAFETY COVER	1	
12	302-463	RETURN SPRING	1	
13	302-435	BEARING COVER	1	
14	990-430	SEAL LOCK FLAT HD. SCREW M4X10	2	
* 15	302-476	WASHER (A)	1	FOR D30 HOLE SAW BLADE
* 15	302-443	WASHER (A)	1	FOR D16 HOLE SAW BLADE
* 16	302-409	TCT SAW BLADE 165MM-D30 HOLE-NT14	1	
* 16	302-407	TCT SAW BLADE 165MM-D16 HOLE-NT14	1	
17	302-423	WASHER (B)	1	
18	302-427	BOLT (W/FLANGE) M8X15.5	1	
19	302-458	KNOB	2	
20	676-531	O-RING (P-7)	1	
21	949-433	BOLT WASHER M8 (10 PCS.)	2	
22	319-830	SLEEVE	1	
23	303-838	RIVING KNIFE	1	
24	302-468	BOLT (W/FLANGE) M8X10 (BLACK)	1	
25	992-013	SEAL LOCK FLAT HD. SCREW M5X14	2	
26	303-800	DIAGONAL BOLT M8	1	
27	302-464	KNOB	1	
28	304-043	MACHINE SCREW (W/WASHERS) M4X10 (BLACK)	1	
29	302-086	TAPPING SCREW (W/FLANGE) D4X20 (BLACK)	8	
30	997-234	MACHINE SCREW (W/WASHERS) M5X35	3	
31	319-820	SOCKET	1	
32	315-229	LAMP (12V 5W)	1	
33	319-824	RESISTOR	1	
34	319-825	SWITCH (1P SCREW TYPE) W/O LOCK	1	
35	958-715	TAPPING SCREW D4X10	1	
36	319-823	TERMINAL (D)	1	
37	301-631	SPRING (F)	1	
38	317-207	TERMINAL (A)	1	
39	319-904	KNOB	1	
40		NAME PLATE	1	
41	319-846	MAGNET	1	
42	302-454	FAN GUIDE	1	
43	608-VVM	BALL BEARING 608VVC2PS2L	1	
44	311-435	DUST SEAL (A)	1	
45	360-554	ARMATURE ASS'Y DC 18V	1	INCLUD.1,43,44
46	302-453	LOCK LEVER	1	
47	319-834	LIGHT COVER	1	
48		LABEL(LC)	1	
49	319-819	HANDLE COVER	1	

