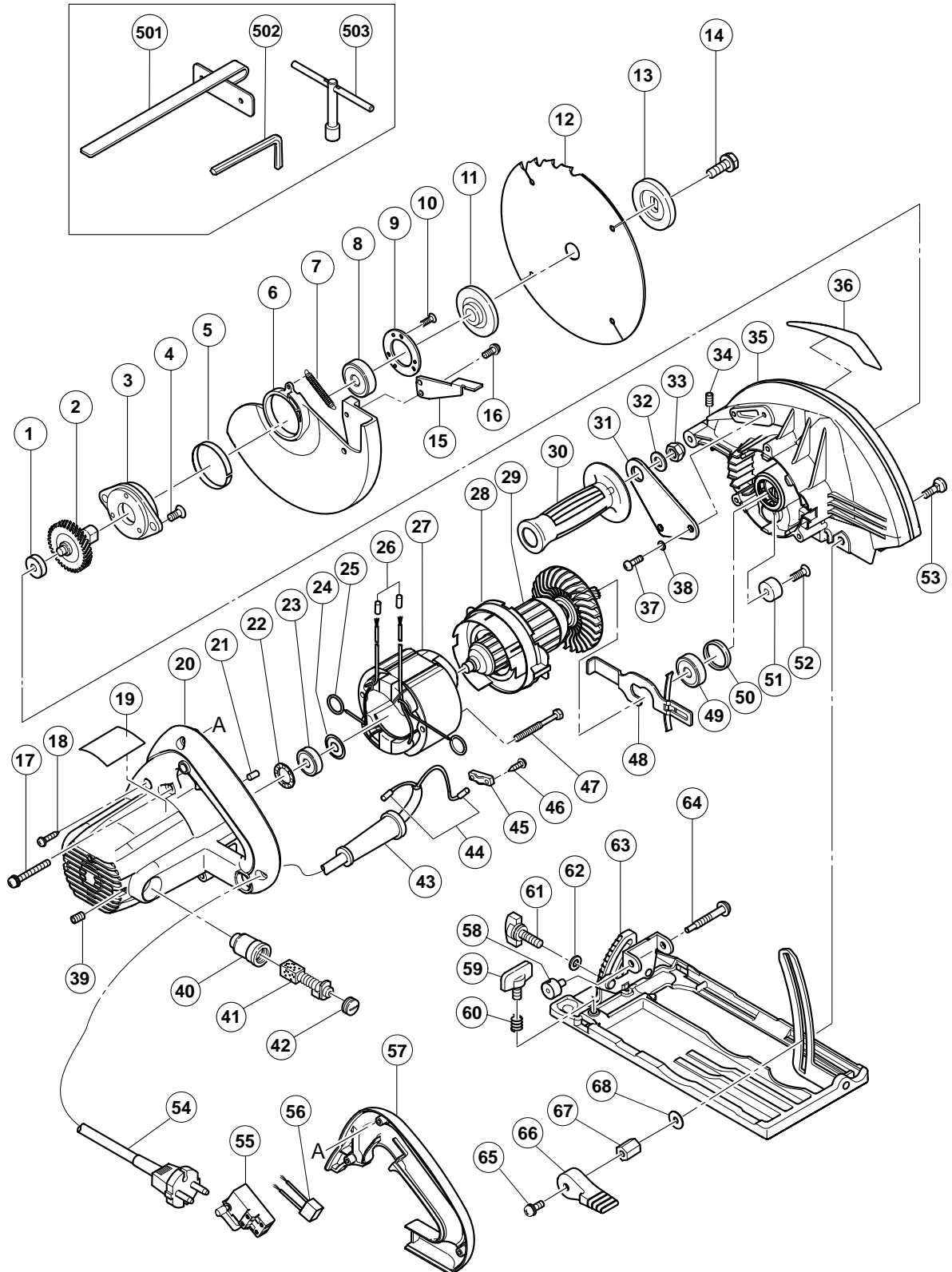


ELECTRIC TOOL PARTS LIST

CIRCULAR SAW
Model C 7MFA

2005 • 1 • 10
(E1)



PARTS

C 7MFA

ITEM NO.	CODE NO.	DESCRIPTION	NO. USED	REMARKS
1	963-803	METAL	1	
2	322-088	SPINDLE AND GEAR SET	1	
3	308-361	BEARING HOLDER	1	
4	305-568	SEAL LOCK FLAT HD. SCREW M5X12	2	
5	318-192	BUSHING	1	
6	323-921	LOWER GUARD	1	
7	302-442	RETURN SPRING	1	
8	600-2VV	BALL BEARING 6002VVCMP2L	1	
9	308-362	BEARING COVER	1	
10	308-773	SEAL LOCK FLAT HD. SCREW M3X12	3	
*	11	323-928	WASHER (A)	1
*	11	322-099	WASHER (A)	1 FOR NZL, AUS
*	12	323-894	TCT SAW BLADE 190MM-D30 HOLE-NT40	1
*	12	323-893	TCT SAW BLADE 190MM-D20 HOLE-NT40	1 FOR NZL, AUS
13	323-924	WASHER (B)	1	
14	957-749	BOLT (W/WASHER) M7X17.5	1	
15	302-464	KNOB	1	
16	304-043	MACHINE SCREW (W/WASHERS) M4X10 (BLACK)	1	
17	302-434	MACHINE SCREW (W/WASHERS) M5X45 (BLACK)	3	
18	301-653	TAPPING SCREW (W/FLANGE) D4X20 (BLACK)	3	
19		NAME PLATE	1	
*	20	323-929	HOUSING ASS'Y (GREEN)	1 INCLUD. 39, 40
*	20	323-930	HOUSING ASS'Y (OFF BLACK GREEN)	1 INCLUD. 39, 40 FOR FRA
21	931-701	BEARING LOCK	1	
22	316-394	THRUST WASHER	1	
23	608-VVM	BALL BEARING 608VVC2PS2L	1	
24	982-631	WASHER (A)	1	
25	930-703	BRUSH TERMINAL	2	
26	981-373	TUBE (D)	2	FOR CORD
*	27	340-614C	STATOR ASS'Y 110V	1 INCLUD. 25
*	27	340-614E	STATOR ASS'Y 230V	1 INCLUD. 25
*	27	340-614F	STATOR ASS'Y 240V	1 INCLUD. 25
28	322-002	FAN GUIDE	1	
*	29	360-694C	ARMATURE 110V	1
*	29	360-694E	ARMATURE 230V	1
*	29	360-694F	ARMATURE 240V	1
30	323-925	SIDE HANDLE ASS'Y	1	INCLUD. 31-33
31	323-926	PLATE	1	
32	949-458	SPRING WASHER M10 (10 PCS.)	1	
33	323-927	CAP NUT M10	1	
34	962-782	HEX. SOCKET SET SCREW M5X6	1	
35	323-919	GEAR COVER ASS'Y	1	INCLUD. 50-52
36		HITACHI LABEL	1	
37	949-237	MACHINE SCREW M5X12 (10 PCS.)	2	
38	949-454	SPRING WASHER M5 (10 PCS.)	2	
39	938-477	HEX. SOCKET SET SCREW M5X8	2	
40	957-051	BRUSH HOLDER	2	
41	999-043	CARBON BRUSH (1 PAIR)	2	
42	935-829	BRUSH CAP	2	
43	953-327	CORD ARMOR D8.8	1	
44	981-373	TUBE (D)	2	

