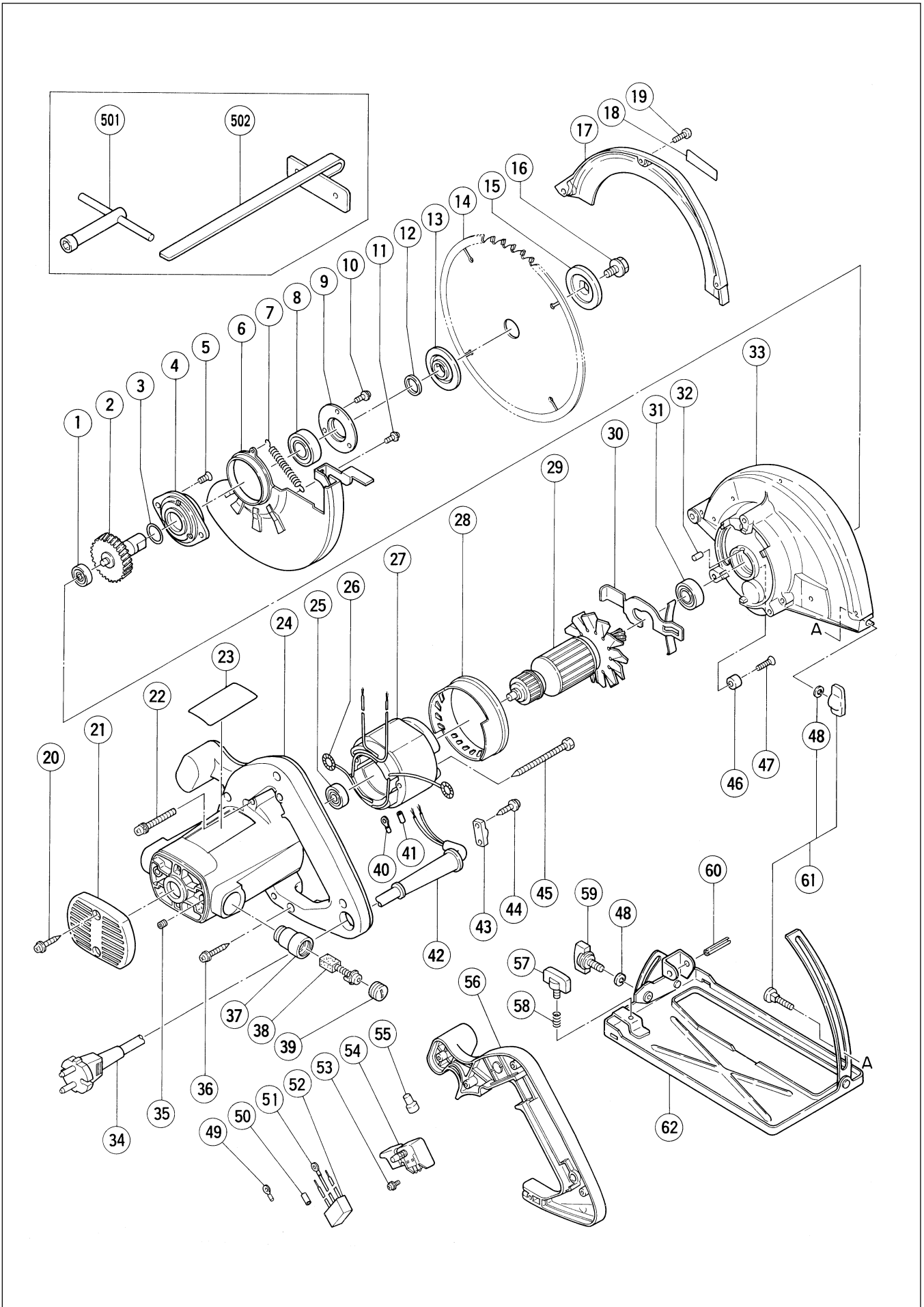


Assembly Diagram for C 7SE



PARTS

C 7SE

ITEM NO.	CODE NO.	DESCRIPTION	NO. USED	REMARKS	
1	626-VVM	BALL BEARING 626VVC2PS2L	1		
2	317-925	SPINDLE AND GEAR SET	1		
3	873-095	O-RING (P-16)	1		
4	940-867	BEARING HOLDER	1		
5	990-299	SEAL LOCK FLAT HD. SCREW M5X10	2		
6	317-923	SAFETY COVER	1		
7	957-062	RETURN SPRING	1		
8	620-2VV	BALL BEARING 6202VVCMP2L	1		
9	940-868	BEARING CAP	1		
10	307-635	MACHINE SCREW (W/SP. WASHER) M4X10	3		
11	986-723	MACHINE SCREW (W/WASHERS) M4X8	1		
12	961-366	DISTANCE PIECE	1		
*	13	993-598	WASHER (A)	1	
*	13	315-968	WASHER (A)	1	FOR TPE
*	14	317-928	TCT SAW BLADE 190MM-D20 HOLE-NT40	1	
*	14	317-929	TCT SAW BLADE 190MM-D25.4 HOLE-NT40	1	FOR TPE
	15	957-064	WASHER (B)	1	
	16	957-749	BOLT (W/WASHER) M7X17.5	1	
	17	317-926	SAW COVER	1	
	18		HITACHI LABEL	1	
	19	949-219	MACHINE SCREW M4X16 (10 PCS.)	3	
	20	301-653	TAPPING SCREW (W/FLANGE) D4X20 (BLACK)	2	
	21	961-732	TAIL COVER	1	
	22	302-434	MACHINE SCREW (W/WASHERS) M5X45 (BLACK)	3	
	23		NAME PLATE	1	
*	24	317-935	HOUSING ASS'Y	1	INCLUD.35,37
*	24	317-936	HOUSING ASS'Y	1	INCLUD.35,37 FOR NZL
	25	608-VVM	BALL BEARING 608VVC2PS2L	1	
	26	930-703	BRUSH TERMINAL	2	
*	27	340-448C	STATOR ASS'Y 110V	1	INCLUD.26
*	27	340-448E	STATOR ASS'Y 220V-230V	1	INCLUD.26
*	27	340-448F	STATOR ASS'Y 240V	1	INCLUD.26
*	27	340-448G	STATOR ASS'Y 220V-230V	1	INCLUD.26 FOR NZL,KOR
*	27	340-448H	STATOR ASS'Y 240V	1	INCLUD.26 FOR AUS
	28	987-940	FAN GUIDE	1	
*	29	360-501C	ARMATURE 110V	1	
*	29	360-501E	ARMATURE 220V-230V	1	
*	29	360-501F	ARMATURE 240V	1	
	30	987-981	LOCK LEVER	1	
	31	600-1VV	BALL BEARING 6001VVCMP2L	1	
	32	931-701	BEARING LOCK	1	
	33	317-924	GEAR COVER ASS'Y	1	INCLUD.32,46,47
*	34	500-455Z	CORD	1	(CORD ARMOR D8.8)
*	34	500-234Z	CORD	1	(CORD ARMOR D8.8) FOR INA
*	34	500-423Z	CORD	1	(CORD ARMOR D8.8) FOR SIN,KUW
*	34	500-439Z	CORD	1	(CORD ARMOR D8.8) FOR NZL,AUS
*	34	930-054	CORD	1	(CORD ARMOR D10.1) FOR TPE
	35	938-477	HEX. SOCKET SET SCREW M5X8	2	
	36	307-028	TAPPING SCREW (W/FLANGE) D4X25 (BLACK)	4	
	37	957-051	BRUSH HOLDER	2	
	38	999-043	CARBON BRUSH (1 PAIR)	2	

* : ALTERNATIVE PARTS

6 - 99

