

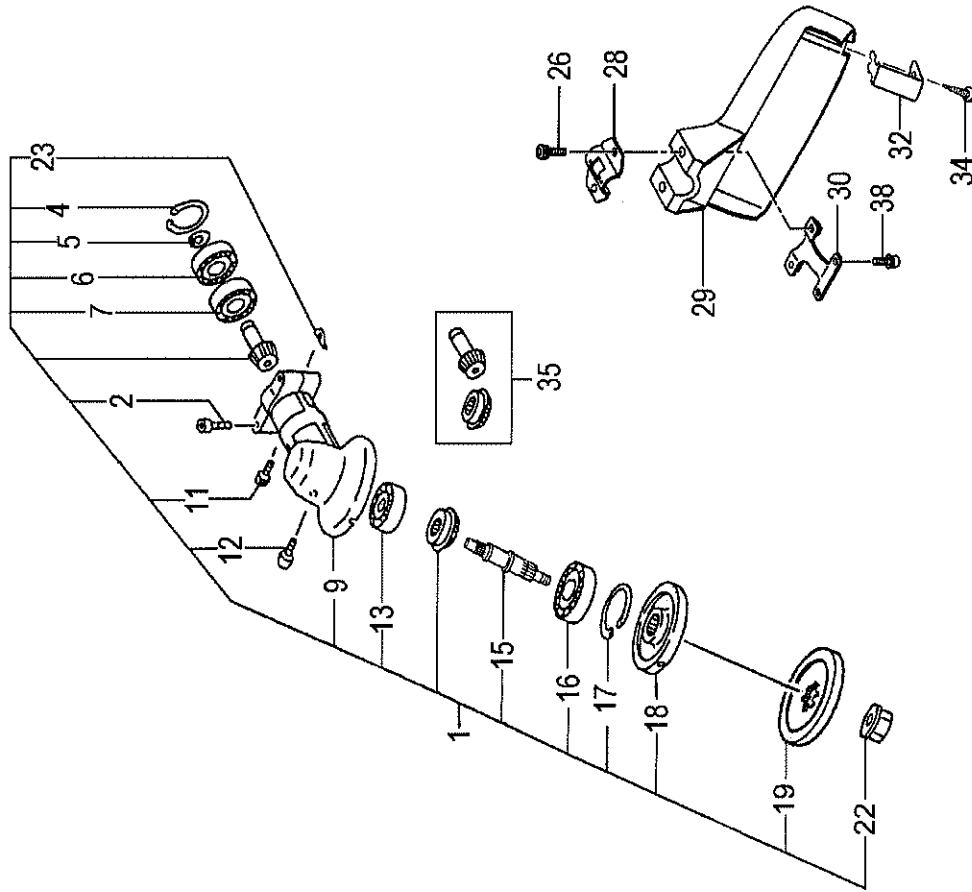
B53

CG-GT

S e r i a l N o .

B53-01

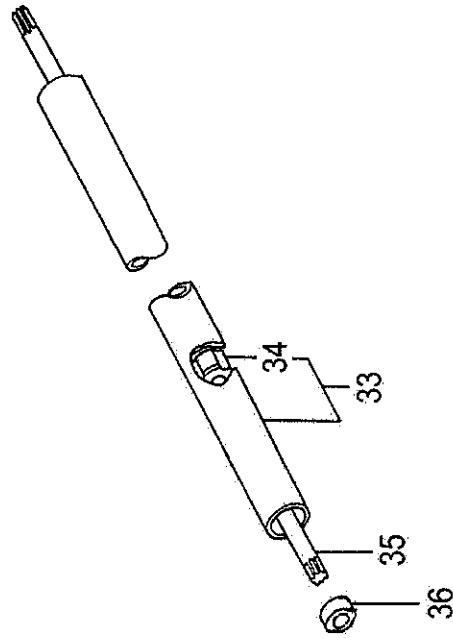
CG-GT GEAR CASE



REF. NUMBER	PARTS NUMBER	DESCRIPTION	Q'TY	SERIAL NUMBER
001	668-8797	GEAR CASE ASSY 24	1	
002	668-4709	HEX.HOLE BOLT M5X25/S	2	
004	669-5293	STOP RING C-22, INNER	1	
005	669-5315	STOP RING OUTER 10	1	
006	669-5579	BALL BEARING	1	
007	669-5577	BALL BEARING 6900, 22MM	1	
009	668-8808	GEAR CASE 24	1	
011	668-4667	HEX.HOLE BOLT M5X12/S	1	
012	668-9109	OILING BOLT	1	
013	668-4734	BALL BEARING 609	1	
015	668-8924	GEAR SHAFT	1	
016	669-5554	BALL BEARING 6201D, 32MM	1	
017	669-5295	STOP RING C-32, INNER	1	
018	668-9032	CUTTER HOLDER	1	
019	668-9055	CUTTER HOLDER CAP	1	
022	668-9073	FIXING NUT M10X1.25	1	
023	668-9160	GEAR CASE WASHER	1	
026	668-4714	HEX.HOLE BUTTON SCREW	2	
028	668-5065	SAFETY GUARD BRACKET	1	
029	669-0272	SAFETY COVER, 24 DIA.	1	
030	669-0343	SAFETY GUARD HOLDER	1	
032	669-3388	KNIFE	1	
034	668-4753	TAPPING SCREW 5X20	1	
035	668-8882	GEAR PINION SET SPARE	1	
038	668-4667	HEX.HOLE BOLT M5X12/S	2	

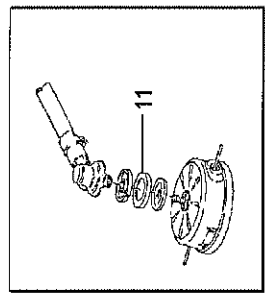
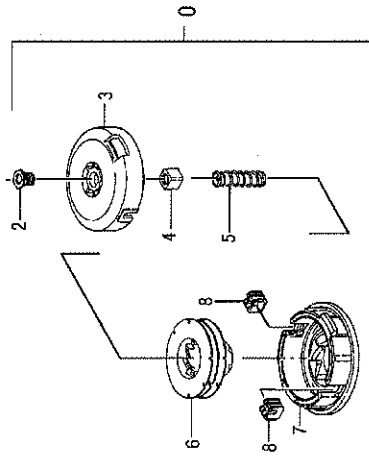
B53-02

CG-GT OPERATION PIPE



REF. NUMBER	PARTS NUMBER	DESCRIPTION	Q'TY	SERIAL NUMBER
033	668-4830	MAIN PIPE COMP.	1	
034	668-4831	BUSH ASS'Y	3	
035	668-4832	DRIVE SHAFT B 783L	1	
036	668-4833	BUSHING	1	

B53-03 CG-GT TOOLS

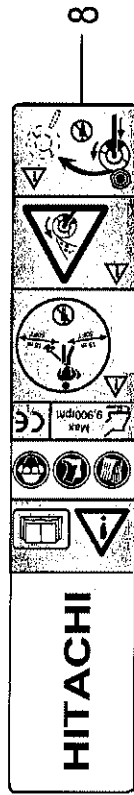


REF. NUMBER	PARTS NUMBER	DESCRIPTION	QTY	SERIAL NUMBER
000	668-4755	NYLON HEAD ASSY	1	
002	668-4756	MOUNTING NUT L-M10X1.2	1	
003	668-4757	CUTTING BODY	1	
004	668-4758	SPECIAL NUT	1	
005	668-4759	REEL SPRING	1	
006	668-4760	SPOOL	1	
007	668-4761	CUTTING BODY CAP	1	
008	668-4762	EYELET	2	
011	668-4763	WINDING PROTECTOR	1	

B53-04

CG-GT LABAELS

CG-GT — 2



REF. NUMBER	PARTS NUMBER	DESCRIPTION	Q'TY	SERIAL NUMBER
002	669-4742	SYMBOL MARK CG-GT CAUTION MARK 9900RPM	1	
008	668-4850		1	