

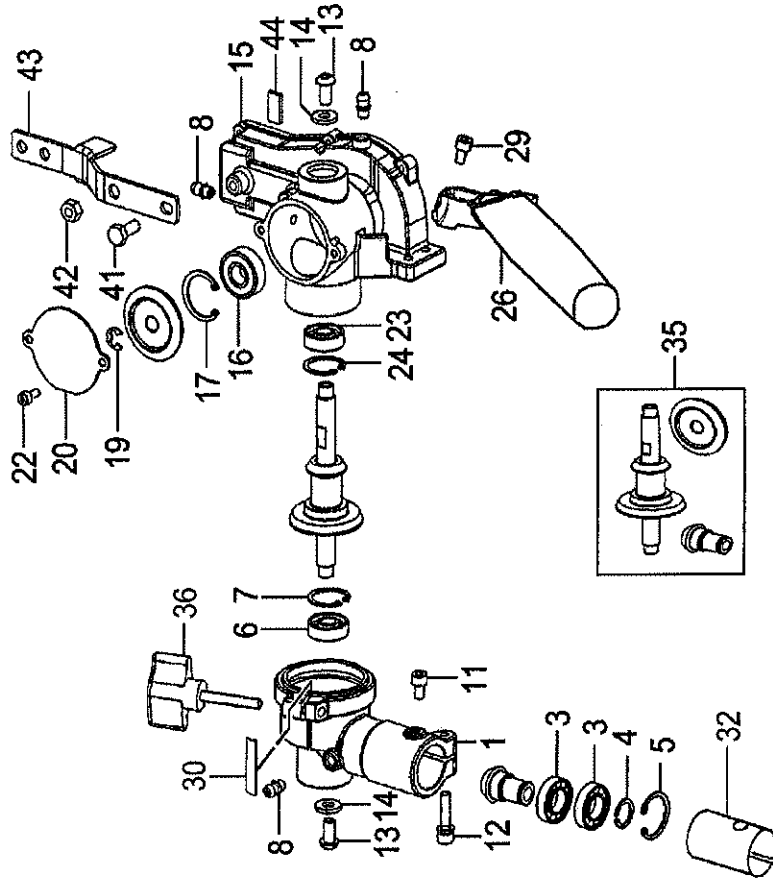
H14

CG-HTB

Serial No.

H14-01

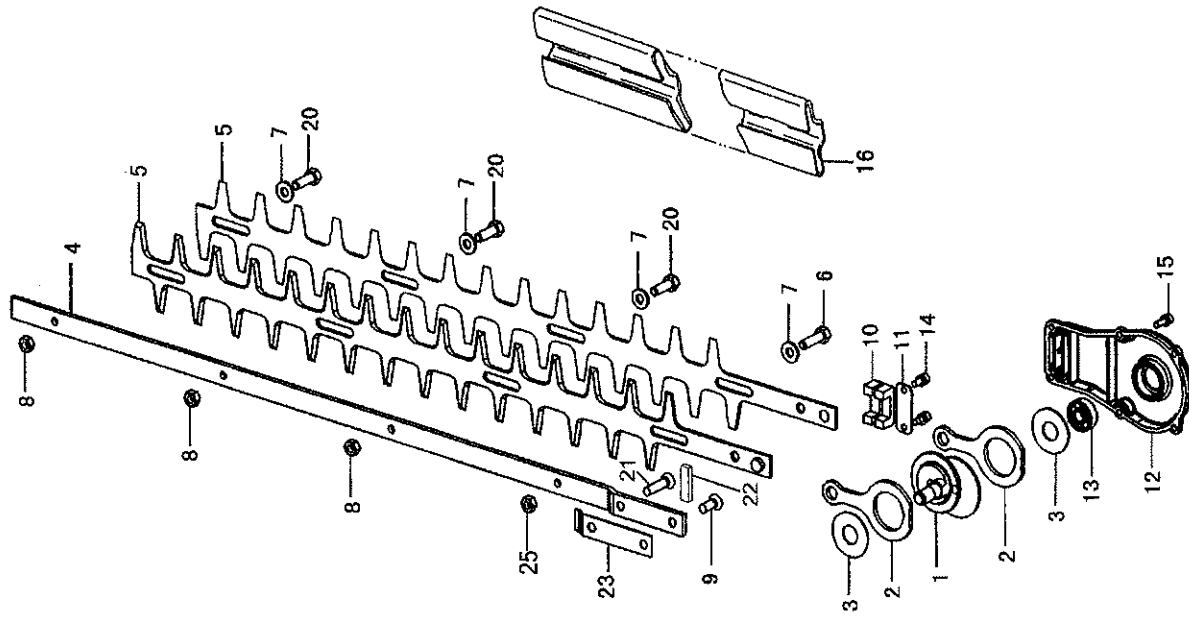
CG-HTB GEAR CASE



REF. NUMBER	PARTS NUMBER	DESCRIPTION	QTY	SERIAL NUMBER
001	668-8642	GEAR CASE A	1	
003	669-5582	BALL BEARING 6901ZZ, 24M	2	
004	669-5302	STOP RING S-12, OUTER	1	
005	668-4732	STOP RING C-24, INNER	1	
006	669-5547	BALL BEARING 608 ZZ C3	1	
007	669-5293	STOP RING C-22, INNER	1	
008	668-8643	GREASE NIPPLE COMP.	3	
011	669-5042	HEX. HOLE BOLT 5X10	1	
012	668-4709	HEX.HOLE BOLT M5X25/S	1	
013	669-5078	HEX. HOLE BOLT 6X12	2	
014	668-4822	SPECIAL WASHER B	2	
015	669-5981	GEAR CASE B	1	
016	669-5529	BALL BEARING #6000 2RS C	1	
017	669-5294	STOP RING C-26, INNER	1	
019	669-5310	STOP RING E-6	1	
020	668-9167	GEAR CASE COVER A	1	
022	669-5035	HEX HOLE BOLT 4X8	2	
023	669-5547	BALL BEARING 608 ZZ C3	1	
024	669-5293	STOP RING C-22, INNER	1	
026	668-8089	HANDLE	1	
029	669-5079	HEX HOLE BUTTON SCREW	2	
030	668-6669	GREASE SEALED	1	
032	668-9530	COLLAR B	1	
035	668-8892	GEAR SET PN	1	
036	669-1200	HANDLE KNOB A COMP.	1	
041	669-5016	PLUS BOLT 6X14	1	
042	669-5175	NUT 6 UPS-P	1	
043	669-0744	SUPPORT PLATE	1	
044	668-6659	GREASE SEAL B	1	

H14-02

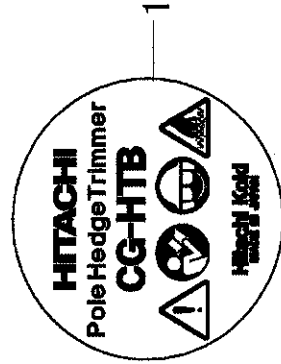
CG-HTB BLADE



REF. NUMBER	PARTS NUMBER	DESCRIPTION	Q'TY	SERIAL NUMBER
001	668-6790	CAM SHAFT COMP.	1	
002	668-6809	CAM ROD	2	
003	668-6611	CAM-ROD GUIDE PLATE	2	
004	668-7125	CUTTER GUIDE 625.5MM	1	
005	668-7079	CUTTER	2	
006	668-7158	FIXING BOLT A M6	1	
007	668-7187	WASHER 7 BLACK	4	
008	669-5170	FLANGE NUT 6	3	
009	669-5073	HEX HOLE FLUSH SCREW	1	
010	668-6647	GREASE SEAL A	2	
011	668-6826	CAM-ROD HOLDING PLATE	1	
012	668-9173	GEAR CASE COVER B	1	
013	669-5547	BALL BEARING 608 ZZ C3	1	
014	669-5484	HEX. HOLE BOLT 4X10S	2	
015	668-4595	HEX.HOLE BOLT M4X12/S	6	
016	668-7301	CUTTER COVER	1	
020	668-7162	CUTTER FIXING BOLT B	3	
021	669-5075	HEX. HOLE FLUSH BOLT 6X	1	
022	668-6666	GREASE SEAL B	1	
023	668-8633	SPACER	1	
025	669-5175	NUT 6 UPS-P	1	

H14-03

CG-HTB LABELS



REF. NUMBER	PARTS NUMBER	DESCRIPTION	Q'TY	SERIAL NUMBER
001	669-4557	CAUTION MARK A HITACHI C	1	