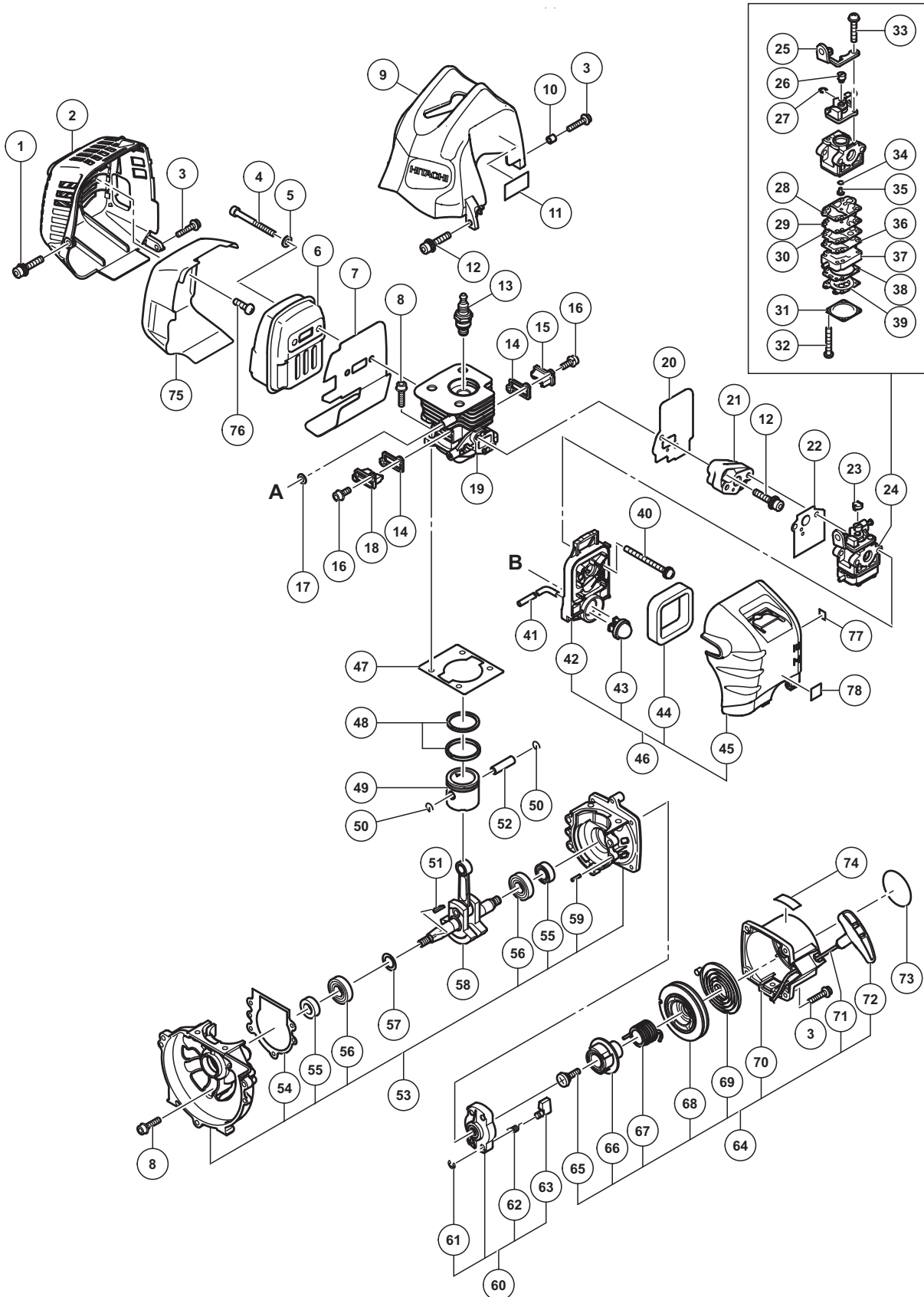
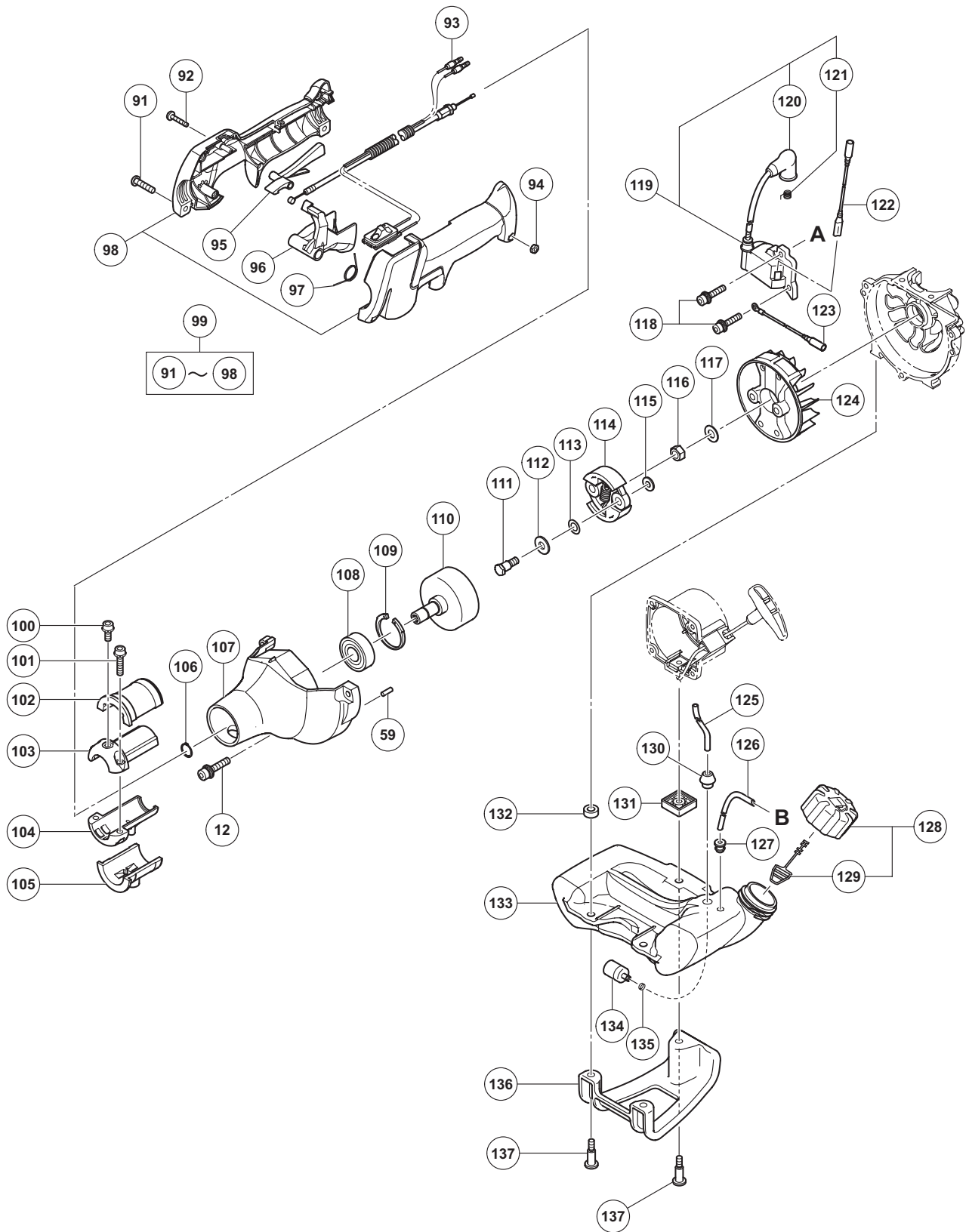


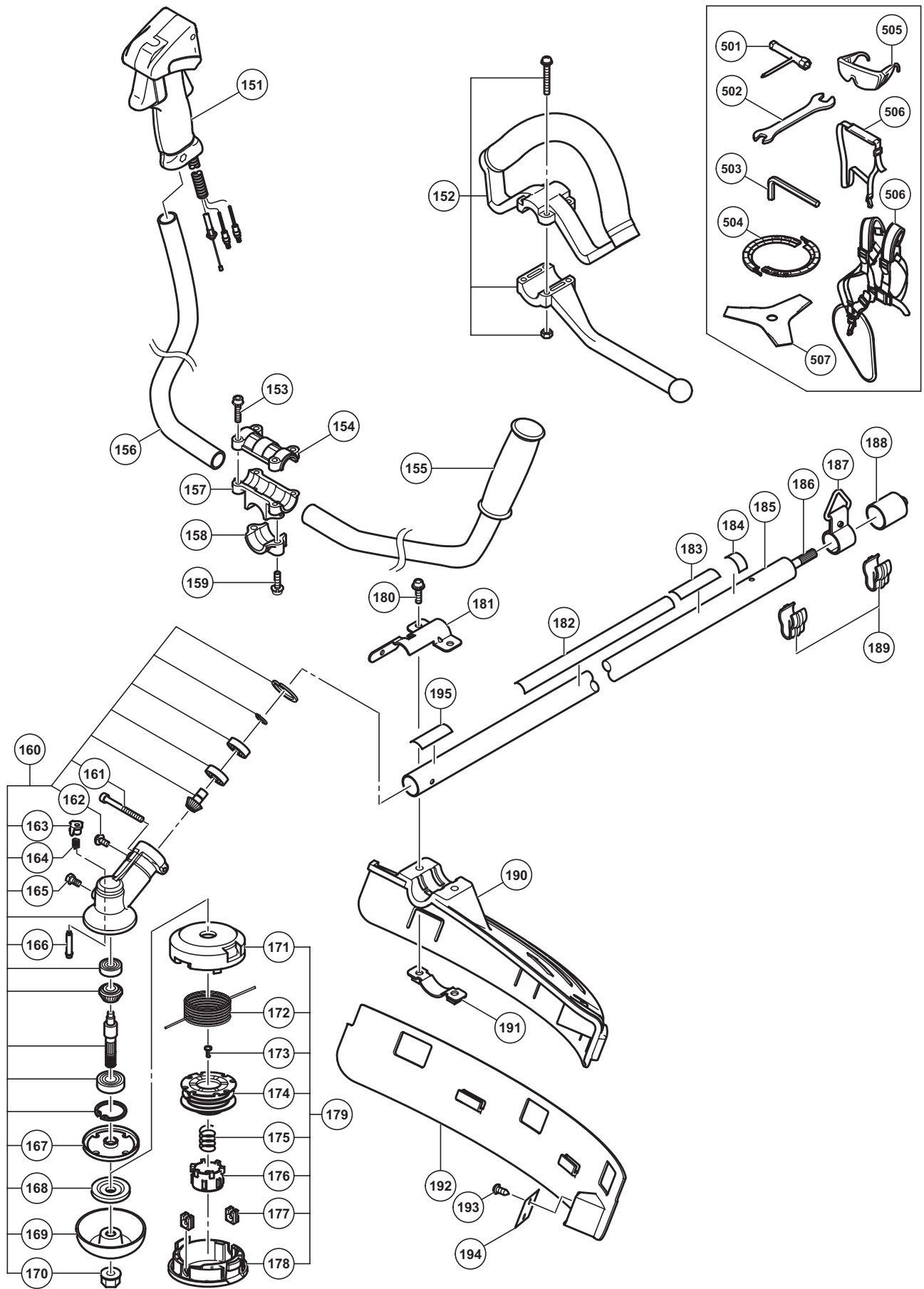
## ENGINE TOOL PARTS LIST

ENGINE BRUSH CUTTER  
Model CG 24EBSP

2014 · 4 · 25  
(E1)







**PARTS**

CG 24EBSP

| ITEM NO. | CODE NO. | DESCRIPTION                                | NO. USED | REMARKS      |
|----------|----------|--|----------|--------------|
| 1        | 6698950  | SEAL LOCK HEX. SOCKET HD. BOLT M5 X 30     | 1        |              |
| 2        | 6600319  | MUFFLER COVER                              | 1        |              |
| 3        | 6696326  | HEX. SOCKET HD. BOLT (W/FLANGE) M4 X 18    | 4        |              |
| 4        | 6698384  | HEX. SOCKET HD. BOLT M6 X 65               | 2        |              |
| 5        | 949432   | BOLT WASHER M6 (10 PCS.)                   | 2        |              |
| 6        | 6600004  | MUFFLER (B)                                | 1        |              |
| 7        | 6600320  | HEAT PROTECTION PANEL                      | 1        |              |
| 8        | 6698386  | HEX. SOCKET HD. BOLT (W/SP.WASHER) M5 X 18 | 8        |              |
| 9        | 6699454  | CYLINDER COVER                             | 1        |              |
| 10       | 6600008  | COLLAR (B)                                 | 2        |              |
| 11       |          | CAUTION LABEL                              | 1        |              |
| 12       | 6698844  | SEAL LOCK HEX. SOCKET BOLT (W/WASHERS) M5  | 4        |              |
| 13       | 6699316  | SPARK PLUG ASS'Y BMR7A                     | 1        |              |
| 14       | 6698468  | COVER PACKING                              | 2        |              |
| 15       | 6698469  | SCAVENGING COVER (A)                       | 1        |              |
| 16       | 6698385  | HEX. SOCKET HD. BOLT M4 X 12               | 4        |              |
| 17       | 6698700  | GLASS WASHER                               | 2        |              |
| 18       | 6698470  | SCAVENGING COVER (B)                       | 1        |              |
| 19       | 6698465  | CYLINDER                                   | 1        |              |
| 20       | 6699437  | INTAKE PACKING                             | 1        |              |
| 21       | 6698387  | CARBURETOR INSULATOR                       | 1        |              |
| 22       | 6698405  | CARBURETOR PACKING                         | 1        |              |
| 23       | 6691337  | SWIVEL CAP                                 | 1        |              |
| 24       | 6600321  | CARBURETOR ASS'Y WYC-36                    | 1        | INCLUD.25-39 |
| 25       | 6699287  | CABLE ADJUST STAY                          | 1        |              |
| 26       | 6696830  | SWIVEL                                     | 1        |              |
| 27       | 6684696  | STOP RING                                  | 1        |              |
| 28       | 6684692  | PUMP GASKET                                | 1        |              |
| 29       | 6684693  | PUMP DIAPHRAGM                             | 1        |              |
| 30       | 6691242  | PUMP PLATE                                 | 1        |              |
| 31       | 6685222  | DIAPHRAGM COVER-METERING                   | 1        |              |
| 32       | 6691312  | SET SCREW                                  | 4        |              |
| 33       | 6696829  | SET SCREW M3 X 12                          | 2        |              |
| 34       | 6684695  | O-RING                                     | 1        |              |
| 35       |          | MAIN JET                                   | 1        |              |
| 36       | 6691234  | CIRCUIT PLATE                              | 1        |              |
| 37       | 6696828  | PUMP BODY COMP.                            | 1        |              |
| 38       | 6685220  | DIAPHRAGM PACKING-METERING                 | 1        |              |
| 39       | 6684690  | METERING DIAPHRAGM                         | 1        |              |
| 40       | 307224   | MACHINE SCREW (W/WASHERS) M5 X 60 (BLACK)  | 2        |              |
| 41       | 6699014  | FUEL PIPE L70                              | 1        |              |
| 42       | 6696832  | AIR CLEANER HOUSING                        | 1        |              |
| 43       | 6685139  | PRIMING PUMP COMP.                         | 1        |              |
| 44       | 6690347  | CLEANER ELEMENT                            | 1        |              |
| 45       | 6699185  | CLEANER COVER                              | 1        |              |
| 46       | 6699132  | AIR CLEANER (A) ASS'Y                      | 1        | INCLUD.42-45 |
| 47       | 6684587  | CYLINDER GASKET                            | 1        |              |
| 48       | 6698404  | PISTON RING                                | 2        |              |
| 49       | 6699456  | PISTON                                     | 1        |              |
| 50       | 6684590  | CIR CLIP                                   | 2        |              |

**PARTS**

CG 24EBSP

| ITEM NO. | CODE NO. | DESCRIPTION                                | NO. USED | REMARKS               |
|----------|----------|--|----------|-----------------------|
| 51       | 6684899  | WOODRUFF KEY 3 X 13 X 4.5                  | 1        |                       |
| 52       | 6684591  | PISTON PIN                                 | 1        |                       |
| 53       | 6684606  | CRANK CASE ASS'Y                           | 1        | INCLUD.54-56,59       |
| 54       | 6684609  | CRANK CASE GASKET                          | 1        |                       |
| 55       | 6684607  | OIL SEAL TB 12227                          | 2        |                       |
| 56       | 6684608  | BALL BEARING 6001 C3                       | 2        |                       |
| * 57     | 6696946  | SHIM T0.2                                  | 1        |                       |
| * 57     | 6696945  | SHIM T0.3                                  | 1        |                       |
| 58       | 6696533  | CRANK SHAFT COMP.                          | 1        |                       |
| 59       | 6696947  | KNOCK PIN 4 X 12                           | 4        |                       |
| 60       | 6684681  | STARTER PULLEY ASS'Y                       | 1        | INCLUD.61-63          |
| 61       | 6684683  | STOP RING E-5                              | 2        |                       |
| 62       | 6684684  | STARTER PAWL SPRING                        | 2        |                       |
| 63       | 6684685  | STARTER PAWL                               | 2        |                       |
| 64       | 6699995  | RECOIL STARTER BODY ASS'Y                  | 1        | INCLUD.65-72          |
| 65       | 6684679  | SET SCREW                                  | 1        |                       |
| 66       | 6699996  | CAM PLATE                                  | 1        |                       |
| 67       | 6684677  | DAMPER SPRING                              | 1        |                       |
| 68       | 6699997  | STARTER ROPE REEL                          | 1        |                       |
| 69       | 6684675  | RECOIL SPRING                              | 1        |                       |
| 70       | 6684673  | RECOIL STARTER BODY COMP.                  | 1        |                       |
| 71       | 6684674  | STARTER ROPE 3.5 X 860                     | 1        |                       |
| 72       | 6684680  | STARTER HANDLE                             | 1        |                       |
| 73       |          | NAME PLATE                                 | 1        |                       |
| 74       | 6698921  | TANK MARK LABEL (50:1)                     | 1        |                       |
| 75       | 6600323  | MUFFLER HEAT COVER                         | 1        |                       |
| 76       | 6600325  | TAPPING SCREW D4 X 10                      | 2        |                       |
| 77       | 6600327  | MARK PLATE (T)                             | 1        |                       |
| 78       | 6699000  | PRIMER LABEL                               | 1        |                       |
| * 91     | 6699195  | MACHINE SCREW M5 X 20 (BLACK)              | 2        | FOR (SL)              |
| * 92     | 6699194  | P TIGHT SCREW D4 X 20 (BLACK)              | 4        | FOR (SL)              |
| * 93     | 6699197  | SWITCH WIRE SET                            | 1        | FOR (SL)              |
| * 94     | 6699196  | NUT M5                                     | 2        | FOR (SL)              |
| * 95     | 6699192  | STOP LEVER                                 | 1        | FOR (SL)              |
| * 96     | 6699191  | LONG LEVER                                 | 1        | FOR (SL)              |
| * 97     | 6699193  | RETURN SPRING                              | 1        | FOR (SL)              |
| * 98     | 6699190  | STAY SET                                   | 1        | FOR (SL)              |
| * 99     | 6699133  | THROTTLE LEVER (A) ASS'Y                   | 1        | INCLUD.91-98 FOR (SL) |
| 100      | 6699176  | HEX. SOCKET HD. BOLT (W/SP.WASHER) M5 X 12 | 1        |                       |
| 101      | 6695492  | HEX. HOLE BOLT 5 X 22/S                    | 2        |                       |
| 102      | 6696963  | ANTI VIBE RUBBER (A)                       | 1        |                       |
| 103      | 6698643  | PIPE HOLDER (A)                            | 1        |                       |
| 104      | 6698644  | PIPE HOLDER (B)                            | 1        |                       |
| 105      | 6696964  | ANTI VIBE RUBBER (B)                       | 1        |                       |
| 106      | 939542   | RETAINING RING FOR D12 SHAFT (10 PCS.)     | 1        |                       |
| 107      | 6699457  | FAN CASE (A)                               | 1        |                       |
| 108      | 6699435  | BALL BEARING 6301ZZC3                      | 1        |                       |
| 109      | 322813   | RETAINING RING 37MM                        | 1        |                       |
| 110      | 6699434  | CLUTCH SHAFT                               | 1        |                       |
| 111      | 6696469  | STEP BOLT                                  | 2        |                       |

**PARTS**

CG 24EBSP

| ITEM NO. | CODE NO. | DESCRIPTION                              | NO. USED | REMARKS        |
|----------|----------|--|----------|----------------|
| 112      | 6684648  | BENT WASHER 8                            | 2        |                |
| 113      | 6696546  | CLUTCH PLATE (A)                         | 2        |                |
| 114      | 6699130  | CLUTCH                                   | 1        |                |
| 115      | 6699131  | CLUTCH WASHER (B)                        | 2        |                |
| 116      | 6685337  | FLYWHEEL NUT                             | 1        |                |
| 117      | 323212   | BOLT WASHER M8 (BLACK)                   | 1        |                |
| 118      | 6698388  | HEX. SOCKET HD. BOLT (W/WASHERS) M4 X 18 | 2        |                |
| 119      | 6699458  | IGNITION COIL ASS'Y                      | 1        | INCLUD.120,121 |
| 120      | 6699932  | PLUG CAP                                 | 1        |                |
| 121      | 6699933  | METAL FITTING OF PLUG CAP                | 1        |                |
| 122      | 6696544  | CORD                                     | 1        |                |
| 123      | 6696545  | EARTH CORD                               | 1        |                |
| 124      | 6699289  | MAGNETO ROTOR ASS'Y                      | 1        |                |
| 125      | 6698716  | FUEL PIPE                                | 1        |                |
| 126      | 6698401  | FUEL PIPE (PINK)                         | 1        |                |
| 127      | 6697846  | RETURN GROMMET                           | 1        |                |
| 128      | 6698402  | FUEL TANK CAP ASS'Y                      | 1        | INCLUD.129     |
| 129      | 6698732  | TANK CAP CHAIN                           | 1        |                |
| 130      | 6698931  | FUEL GROMMET                             | 1        |                |
| 131      | 6699558  | SPACER                                   | 1        |                |
| 132      | 6699459  | SPACER (B)                               | 2        |                |
| 133      | 6600317  | TANK (B)                                 | 1        |                |
| 134      | 6684620  | PUMP FILTER BODY COMP.                   | 1        |                |
| 135      | 6696949  | CLIP                                     | 1        |                |
| 136      | 6694787  | STAND                                    | 1        |                |
| 137      | 6698991  | BOLT (W/FLANGE) L27.8                    | 3        |                |
| * 151    | 6699446  | THROTTLE LEVER (B)                       | 1        | FOR (S)        |
| * 152    | 6699448  | LOOP HANDLE (W/BARRIER)                  | 1        | FOR (SL)       |
| * 153    | 6684709  | HEX. HOLE BOLT M5 X 25/S                 | 4        | FOR (S)        |
| * 154    | 6696576  | HANDLE HOLDER (A)                        | 1        | FOR (S)        |
| * 155    | 6698638  | HANDLE (LEFT)                            | 1        | FOR (S)        |
| * 156    | 6699447  | HANDLE (RIGHT)                           | 1        | FOR (S)        |
| * 157    | 6696577  | HANDLE HOLDER (B)                        | 1        | FOR (S)        |
| * 158    | 6696578  | HANDLE HOLDER (C)                        | 1        | FOR (S)        |
| * 159    | 6684714  | HEX. HOLE BUTTON SCREW 6 X 25S           | 2        | FOR (S)        |
| 160      | 6699439  | GEAR CASE ASS'Y (4BB)                    | 1        | INCLUD.161-170 |
| 161      | 949664   | HEX. SOCKET HD. BOLT M5 X 30 (10 PCS.)   | 1        |                |
| 162      | 6695414  | SCREW 5 X 12/W.S                         | 1        |                |
| 163      | 6600005  | CAP                                      | 1        |                |
| 164      | 6600006  | SPRING                                   | 1        |                |
| 165      | 6684737  | BOLT (W/PLUS) M6 X 8                     | 1        |                |
| 166      | 6600007  | LOCK PIN                                 | 1        |                |
| 167      | 6699441  | CUTTER HOLDER (A)                        | 1        |                |
| 168      | 6698659  | CUTTER HOLDER (B)                        | 1        |                |
| 169      | 6699188  | NUT COVER                                | 1        |                |
| 170      | 335759   | U-NUT (LEFT HAND) M10                    | 1        |                |
| 171      | 6698794  | COVER                                    | 1        |                |
| 172      |          | NYLON CORD                               | 1        |                |
| 173      | 6698795  | SET SCREW                                | 1        |                |
| 174      | 6698796  | REEL                                     | 1        |                |



