

Hitachi Power Tools Europe GmbH · Postfach 50 02 52 · 47870 Willich

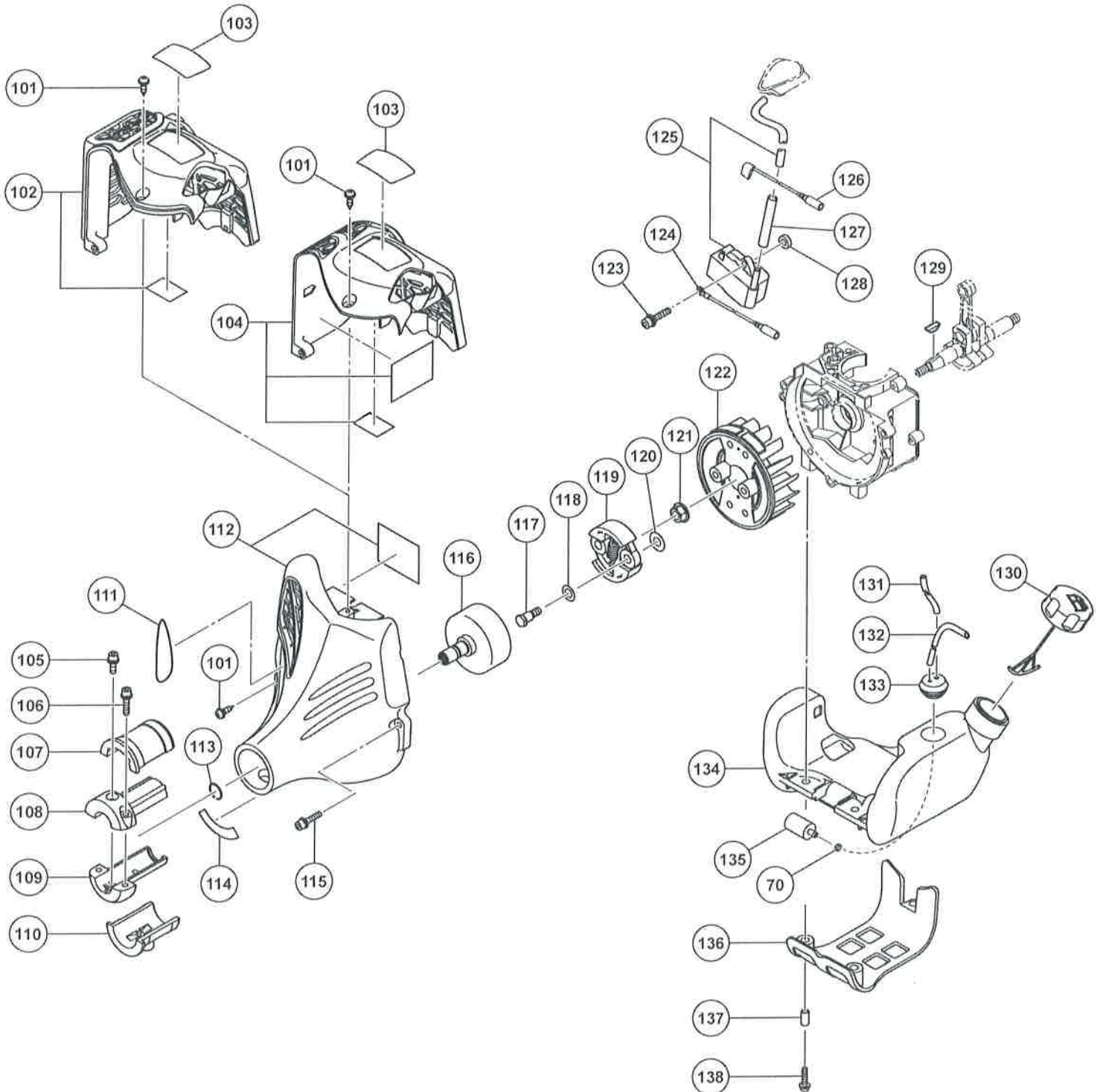
Geschäftsführer:
Shuichi Shinjima, Hiroyuki Usuku, Masami Nakagawa
Sitz der Gesellschaft: 47877 Willich
Handelsregister: HRB 2604
Amtsgericht Krefeld

Hitachi Power Tools Europe GmbH
Siemensring 34 · 47877 Willich · Germany
Telefon 021 54 / 49 93-0 · Telefax 021 54 / 49 93 50
USt.-Id-Nr. DE119106694 · Umsatzsteuer-Nr. 102/5820/0280
WEEE-Reg.-Nr. DE98229319

Banken: Deutsche Bank, Düsseldorf
(BLZ 300 700 10) Konto Nr. 8 231 300
IBAN: DE18300700100823130000
BIC Code: DEUTDE33XXX
Bank of Tokyo-Mitsubishi Bank, Düsseldorf
(BLZ 300 107 000) Konto Nr. 0511018465
IBAN: DE70300107000000018465
BIC Code: BOTKDE33

Rev.1 Es bestehen Vereinbarungen, aus denen sich nachträgliche Minderungen des Entgelts ergeben können.

Hitachi Power Tools Europe GmbH · Postfach 50 02 52 · 47870 Willich



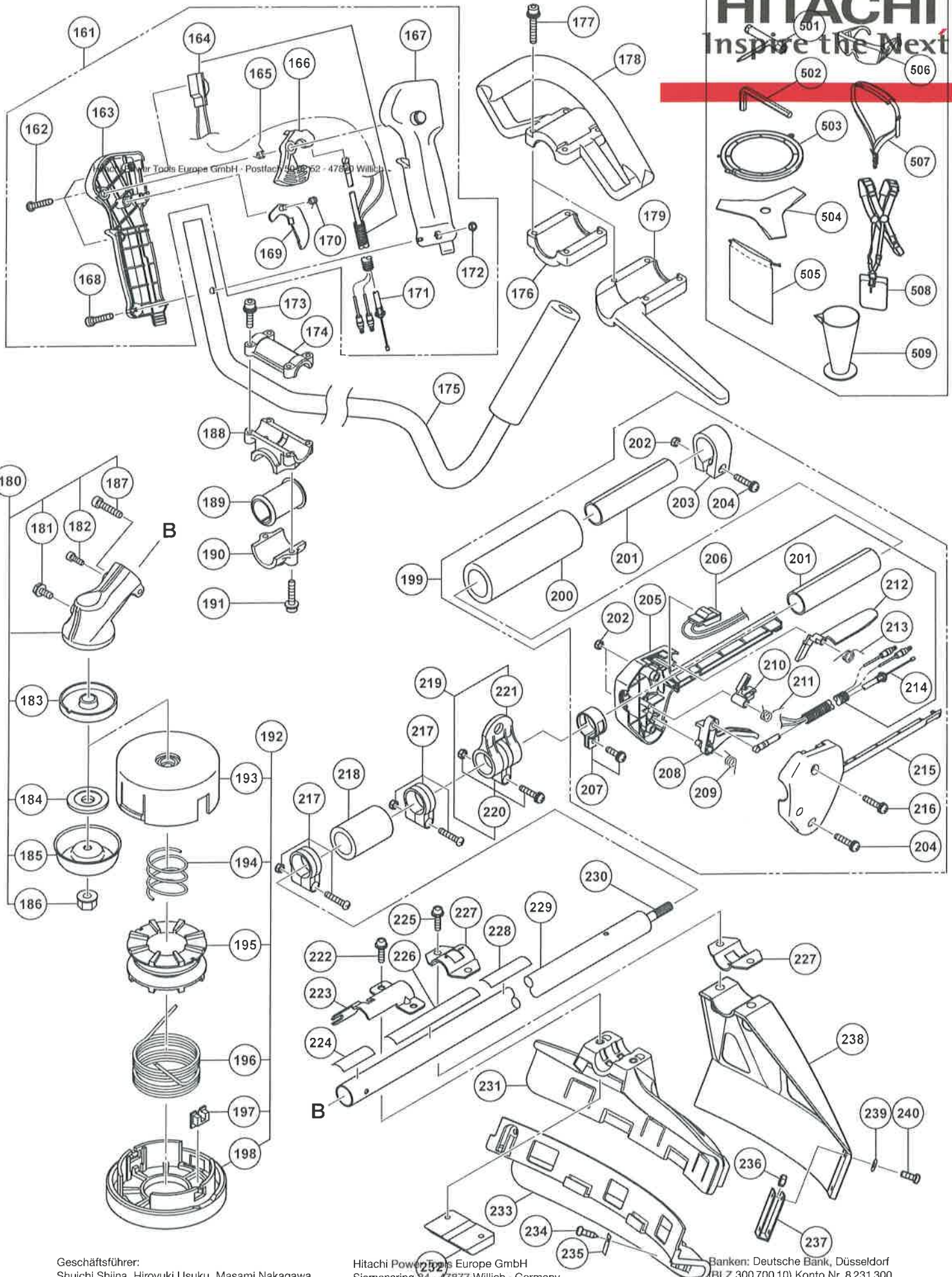
Geschäftsführer:
 Shuichi Shiina, Hiroyuki Usuku, Masami Nakagawa
 Sitz der Gesellschaft: 47877 Willich
 Handelsregister: HRB 2604
 Amtsgericht Krefeld

Hitachi Power Tools Europe GmbH
 Siemensring 34 · 47877 Willich · Germany
 Telefon 0 21 54 / 49 93-0 · Telefax 0 21 54 / 49 93 50
USt.-Id.-Nr. DE119106694 · Umsatzsteuer-Nr. 102/5820/0280
WEEE-Reg.-Nr. DE98229319

Banken: Deutsche Bank, Düsseldorf
 (BLZ 300 700 10) Konto Nr. 8 231 300
 IBAN: DE18300700100823130000
 BIC Code: DEUTDE33XXX
 Bank of Tokyo-Mitsubishi Ltd., Düsseldorf
 (BLZ 300 107 00) Konto Nr. 05111118485
 IBAN: DE70300107000000018465
 BIC Code: BOTKDE33

Rev.1

Es bestehen Vereinbarungen, aus denen sich nachträgliche Minderungen des Entgelts ergeben können.



Geschäftsführer:
 Shuichi Shiina, Hiroyuki Usuku, Masami Nakagawa
 Sitz der Gesellschaft: 47877 Willich
 Handelsregister: HRB 2604
 Amtsgericht Krefeld

Hitachi Power Tools Europe GmbH
 Siemensring 34 · 47877 Willich · Germany
 Telefon 0 21 54 / 49 93-0 · Telefax 0 21 54 / 49 93 50
USt.-Id.-Nr. DE119106694 · Umsatzsteuer-Nr. 102/5820/0280
WEEE-Reg.-Nr. DE98229319

Banken: Deutsche Bank, Düsseldorf
 (BLZ 300 700 10) Konto Nr. 8 231 300
 IBAN: DE1930070010000018465
 BIC Code: DEUTDE33XXX
 Bank für Sozialleistungen, Düsseldorf
 (BLZ 300 107 00) Konto Nr. 0511 618 465
 IBAN: DE7030010700000018465
 BIC Code: BOTKDE33

Rev.1

Es bestehen Vereinbarungen, aus denen sich nachträgliche Minderungen des Entgelts ergeben können.

Parts List CG25EUAP

6600652	HEX. SOCKET HD. BOLT (W.WASHER) M5X40	3
2	6600654 MUFFLER HEAT COVER	1 FOR USA,CAN
3	6600989 SCREW M4	3 FOR USA,CAN
4	6600988 EXHAUST PIPE	1 FOR USA,CAN
5	6600987 EXHAUST PIPE GASKET	1 FOR USA,CAN
6	6600986 SPARK ARRESTER	1 FOR USA,CAN
7	6600653 MUFFLER	1 INCLUD.3-6 FOR USA,CAN
8	6600651 MUFFLER HEAT COVER	1 FOR EUROPE
9	6600650 MUFFLER	1 FOR EUROPE
10	6600648 MUFFLER GASKET (A)	2
11	6600649 WIND GUIDE PLATE (B)	1
12	6600590 RETAINER VALVE	2
13	6600589 VALVE SPRING	2
14	6600587 STEM SEAL BASE	1
15	6600588 STEM SEAL	1
16	6600994 SPARK PLUG CAP	1
17	6600993 METAL FITTING OF PLUG CAP	1
18	6600926 SPARK PLUG (TORCH CMR5H)	1
19	6600630 INSULATOR GASKET	2
20	6600631 WIND GUIDE PLATE (A)	1
21	6600632 INSULATOR	1
22	6600633 HEX. SOCKET HD. BOLT (W/WASHERS) M5X30	2
23	6600634 CARBURETOR GASKET	1
24	6600635 THROTTLE WIRE FIXING PLATE	1
25	6600636 INSULATOR GASKET (B)	1
26	6600637 CARBURETOR	1
27	6600621 HEX. SOCKET HD. BOLT (W/SP.WASHER) M4X10	3
28	6600620 CYLINDER HEAD COVER	1
29	6600619 NUT M5	4
30	6600617 PIVOT ROCKER ARM	2
31	6600616 PUSH ROD	2
32	6600605 TAPPET	2
33	6600622 BREATHER PIPE	1
34	6600618 ROCKER ARM	2
35	6600584 SHAFT BOLT	2
36	6600583 PUSHING ROD GUIDE	1
37	6600615 HEX. SOCKET BOLT (W/WASHES) M5X20	5
38	6600582 CYLINDER (A)	1
39	6600614 CYLINDER GASKET	1
40	6600586 INTAKE VALVE	1
41	6600585 EXHAUST VALVE	1
42	6600624 PUMP GASKET	1
43	6600623 BASE PUMP	1
44	6600625 INNER ROTOR	1
45	6600626 OUTER ROTOR	1
46	6600627 COVER PUMP	1

Gezeichnet von
Shinichi Shiina, Hiroyuki Usuku, Masami Nakagawa
Sitz der Gesellschaft: 47877 Willich
Handelsregister: HRB 2604
Amtsgericht: Krefeld

Hitachi Power Tools Europe GmbH
Siemensring 34 · 47877 Willich · Germany
Telefon 0 21 54 / 49 93-0 · Telefax 0 21 54 / 49 93 50
USt.-Id-Nr. DE119106694 · Umsatzsteuer-Nr. 102/5820/0280
WEEE-Reg.-Nr. DE98229319

Banken: Deutsche Bank, Düsseldorf
(BLZ 300 700 10) Konto Nr. 8231 300
IBAN: DE18300700100823130000
BIC Code: DEUTDE33XXX
Bank of Tokyo-Mitsubishi Ufj, Düsseldorf
(BLZ 300 107 00) Konto Nr. 0511 018465
IBAN: DE70300107000000018465
BIC Code: BOTKDE33

47	6600628	HEX. SOCKET HD. BOLT (W/WASHERS) M4X16	3
48	6600602	1ST RING	1
49	6600603	2ND RING	1
50	6600604	OIL RING	1
51	6600599	PISTON	1
52	6600601	CIRCLIP	2
53	6600600	PISTON PIN	1
54	6600607	SHIM	2
55	6600606	CAM SHAFT	1
56	6600629	OIL CAP	1
57	6600597	CRANK CASE GASKET	1
58	6600598	CRANK SHAFT GEAR	1
59	6600591	CRANK CASE FW	1
60	6600595	OIL SEAL	2
61	6600594	BALL BEARING	2
62	6600593	NEEDLE ROLLER D3	2
63	6600596	STEEL BALL D4	1
64	6600592	CRANK CASE ST	1
65	6600613	HEX. SOCKET HD. BOLT (W/WASHERS) M4X18	6
67	6600608	OIL FILTER BODY	1
68	6600609	OIL FILTER	1
69	6600610	BOLT WASHER D5	1
70	6600611	CLIP D6	3
71	6600612	FULE PIPE	1
72	6600638	CLEANER BODY	1
73	6600639	CHOKE VALVE COMP	1
74	6600640	COLLAR 8	1
75	6600643	WAVE WASHER 8	1
76	6600644	SCREW (W/WASHERS) M5X68	2
77	6600327	MARK PLATE (T)	1 FOR EUROPE
78	6600642	FUEL PIPE	1
79	6600641	PRIMING PUMP	1
80	6600647	CLEANER ELEMENT	1
81	6600645	CLEANER COVER	1
82	6600646	COVER FIXING BOLT	1
83	6699000	PRIMER LABEL	1 FOR EUROPE
84		NAME PLATE	1
85	6600665	RECOIL STARTER	1
86	6600705	BOLT WASHER D4	3
87	6600666	SEAL LOCK SCREW M4X25	3
101	6600691	TAPING SCREW	2
102	6600693	ENGINE COVER	1 FOR USA,CAN
103		LABEL (4 STROKE)	1
104	6600692	ENGINE COVER	1 FOR EUROPE
105	6600688	HEX. SOCKET HD. BOLT (W/WASHERS) M5X12	1
106	6600689	HEX. SOCKET HD. BOLT (W/WASHERS) M5X20	2
107	6600686	ANTI VIBE RUBBER (A)	1

Hitachi Power Tools Europe GmbH · Postfach 50 02 52 · 47870 Willich

Hitachi Power Tools Europe GmbH
 Siemensring 34 · 47877 Willich · Germany
 Telefon 0 21 54 / 49 93-0 · Telefax 0 21 54 / 49 93 50
USt.-Id.-Nr. DE119106694 · Umsatzsteuer-Nr. 102/5820/0280
WEEE-Reg.-Nr. DE98229319

Banken: Deutsche Bank, Düsseldorf
 (BLZ 300 700 10) Konto Nr. 8 231 300
 IBAN: DE18300700100823130000
 BIC Code: DEUTDE33XXX
 Bank of Tokyo-Mitsubishi Ufj, Düsseldorf
 (BLZ 300 107 00) Konto Nr. 0511 018 465
 IBAN: DE70300107000000018465
 BIC Code: BOTKDE33

Es bestehen Vereinbarungen, aus denen sich nachträgliche Minderungen des Entgelts ergeben können.

Gezeichnet von:
 Shuichi Shiina, Hiroaki Usuki, Masami Nakagawa
 Sitz der Gesellschaft: 47877 Willich
 Handelsregister: HRB 2604
 Amtsgericht Krefeld

109	6600685	PIPE HOLDER (B)	1
110	6600687	ANTI VIBE RUBBER (B)	1
111		HITACHI LABEL	1
*112	6600679	FAN CASE	1
*112	6600680	FAN CASE	1 FOR USA,CAN
113	6600683	RETAINING RING	1
114		CAUTION MARK	1
115	6600690	HEX. SOCKET HD. BOLT (W/WASHERS) M5X20	3
116	6600681	CLUTCH SHAFT	1
117	6600661	STEP BOLT	2
118	6600662	BENT WASHER 8	2
119	6600663	CLUTCH	1
120	6600664	CLUTCH WASHER (B)	2
121	6600658	FLY WHEEL NUT	1
122	6600655	MAGNETO ROTOR	1
123	6600659	HEX. SOCKET HD. BOLT (W/WASHERS) M4X18	2
124	6600656	EARTH CORD	1
125	6600991	IGNITION COIL	1
126	6600657	STOP CORD	1
127	6600992	CORD INSULATION TUBE	1
128	6600660	IGNITION COIL SPACER	2
129	6600990	FEATHER KEY 3X3.7X13	1
130	6600678	TANK CAP (A)	1
131	6600669	FUEL PIPE	1
132	6600674	RETURN PIPE	1
133	6600671	FUEL GROMMET	1
*134	6600667	TANK	1
*134	6600668	TANK	1 FOR USA,CAN
135	6600673	PUMP FILTER BODY	1
136	6600675	STAND	1
137	6600676	COLLAR	3
138	6600677	HEX. SOCKET HD. BOLT (W/WASHERS) M5X25	3
161	6600824	THROTTLE LEVER ASS'Y	1 INCLUD.162-172 EXCEPT FOR (L)
162	6600832	TAPPING SCREW ST2.9X18	3 EXCEPT FOR (L)
163	6600831	HANDLE (B)	1 EXCEPT FOR (L)
164	6600833	STOP SWITCH	1 EXCEPT FOR (L)
165	6600830	SPRING (B)	1 EXCEPT FOR (L)
166	6600829	THROTTLE LEVER	1 EXCEPT FOR (L)
167	6600826	HANDLE (A)	1 EXCEPT FOR (L)
168	6600834	HEX. SOCKET HD. BOLT M5X30	1 EXCEPT FOR (L)
169	6600828	TRIGGER LOCKOUT	1 EXCEPT FOR (L)
170	6600827	SPRING (A)	1 EXCEPT FOR (L)
171	6600835	THROTTLE WIRE COMP.	1 EXCEPT FOR (L)
172	6600825	NUT M5	1 EXCEPT FOR (L)
173	6600794	HEX. SOCKET HD. BOLT (W/WASHERS) M5X25	4 EXCEPT FOR (L)
174	6600795	HANDLE HOLDER (A)	1 EXCEPT FOR (L)
175	6600836	BIKE HANDLE	1 EXCEPT FOR (L)
176	6600840	LOOP HANDLE BRACKET	1 FOR USA,CAN

Geschäftsführer:
 Shuichi Shiina, Hiroyuki Usuki, Masami Nakagawa
 Sitz der Gesellschaft: 47877 Willich
 Handelsregister: HRB 2604
 Amtsgericht Krefeld

Hitachi Power Tools Europe GmbH
 Siemensring 34 · 47877 Willich · Germany
 Telefon 0 21 54 / 49 93-0 · Telefax 0 21 54 / 49 93 50
 USt.-Id.-Nr. DE119106694 · Umsatzsteuer-Nr. 102/5820/0280
 WEEE-Reg.-Nr. DE98229319

Banken: Deutsche Bank, Düsseldorf
 (BLZ 300 700 10) Konto Nr. 8 231 300
 IBAN: DE18300700100823130000
 BIC Code: DEUTDE33XXX
 Bank of Tokyo-Mitsubishi Ufj, Düsseldorf
 (BLZ 300 107 00) Konto Nr. 0511 018 465
 IBAN: DE70300107000000018465
 BIC Code: BOTKDE33

177	6600873	HEX. SOCKET HD. BOLT (W/SP.WASHER) M5X35	4 FOR (L)
178	6600800	LOOP HANDLE	1 FOR (L)
179	6600802	BARRIER	1 FOR EUROPE (L)
*180	6600803	GEAR CASE ASS'Y (S)	1 INCLUD.181-187
*180	6600804	GEAR CASE ASS'Y (S)	1 INCLUD.181-183,187 FOR USA,CAN
181	6600856	BOLT (W/BOLT WASHER) M6X8	1
182	6600855	HEX. SOCKET HD. BOLT M5X12	1
183	6600857	HOLDER (A)	1
184	6600858	HOLDER (B)	1 FOR EUROPE
185	6600859	NUT COVER	1 FOR EUROPE
186	6600860	U-NUT (LEFT HAND) M10	1 FOR EUROPE
187	6600854	HEX. SOCKET HD. BOLT (W/SP.WASHER) M5X30	1
188	6600796	HANDLE HOLDER (B)	1 EXCEPT FOR (L)
189	6601298	HANDLE HOLDER RUBBER	1 EXCEPT FOR (L)
190	6600798	HANDLE HOLDER (C)	1 EXCEPT FOR (L)
191	6600799	HEX. SOCKET HD. BOLT (W/WASHERS) M6X25	2 EXCEPT FOR (L)
192	6600570	NYLON HEAD	1 INCLUD.193-198 FOR (L)
193	6600806	NYLON HEAD COVER	1 FOR (L)
194	6600809	RETURN SPRING	1 FOR (L)
195	6600808	REEL	1 FOR (L)
196	6600807	NYLON CORD	1 FOR (L)
197	6600810	CORD GUIDE	2 FOR (L)
198	6600811	NYLON HEAD CAP	1 FOR (L)
199	6600822	THROTTLE LEVER ASS'Y	1 INCLUD.200-216 FOR (L)
200	6600852	GRIP	1 FOR (L)
201	6601306	THROTTLE COLLAR	2 FOR (L)
202	6600825	NUT M5	3 FOR (L)
203	6600853	HANDLE CLAMP	1 FOR (L)
204	6600839	SCREW (W/WASHERS) M5X25	2 FOR (L)
205	6600850	HANDLE (B)	1 FOR (L)
206	6600851	STOP SWITCH COMP.	1 FOR (L)
207	6600843	HANDLE CLAMP	1 FOR (L)
208	6600841	THROTTLE LEVER	1 FOR (L)
209	6600842	SPRING (C)	1 FOR (L)
210	6600849	CONNECTION LEVER	1 FOR (L)
211	6600847	SPRING (D)	1 FOR (L)
212	6600846	TRIGGER LOCKOUT	1 FOR (L)
213	6600848	SPRING (E)	1 FOR (L)
214	6600840	THROTTLE WIRE COMP.	1 FOR (L)
215	6600845	HANDLE (A)	1 FOR (L)
216	6600844	SCREW (W/WASHERS) M5X30	1 FOR (L)
217	6601330	LIMIT RING	1 FOR EUROPE (L)
218	6600821	LOOP HANDLE RUBBER	1 FOR (L)
219	6600818	HANGER ASS'Y	1 INCLUD.220,221 FOR EUROPE
220	6600838	HANGER CLAMP	1 FOR EUROPE
221	6600837	HANGER	1 FOR EUROPE
*222	6601220	HEX. HOLE BUTTON SCREW M6X35	2 FOR EUROPE (L)
*222	6600813	HEX. HOLE BUTTON BOLT M6X25	1 EXCEPT FOR (L)

Geschäftsführer:
 Hitachi Shijina Jirovuki Ueji, Meemon Nakagawa
 Sitz der Gesellschaft: 47877 Willich
 Handelsregister: HRB 2604
 Amtsgericht Krefeld

Hitachi Power Tools Europe GmbH
 Siemensring 34 · 47877 Willich · Germany
 Telefon 021 54 / 49 93-0 · Telefax 021 54 / 49 93 50
 USt.-Id.-Nr. DE119106694 · Umsatzsteuer-Nr. 102/5820/0280
 WEEE-Reg.-Nr. DE98229319

Banken: Deutsche Bank, Düsseldorf
 (BLZ 300 700 10) Konto Nr. 8 231 300
 IBAN: DE18300700100823130000
 BIC Code: DEUTDE33XXX
 Bank of Tokyo-Mitsubishi Uffj, Düsseldorf
 (BLZ 300 107 00) Konto Nr. 0511 018 465
 IBAN: DE70300107000000018465
 BIC Code: BOTKDE33

223	6600812	COVER BRACKET	1 FOR EUROPE
224		CAUTION LABEL (HEDGE)	1
			FOR EUROPE (L)
224		LEVEL MARK (B)	1
			FOR USA,CAN
225	6600815	HEX. HOLE BUTTON BOLT M6X20	2 FOR USA,CAN
*226	6600450	CAUTION MARK	1
*226	6600447	CAUTION MARK (USA)	1 FOR USA,CAN
227	6600814	COVER BRACKET (US)	2 FOR USA,CAN
228	6601305	LEVEL MARK (A)	1 FOR (L)
229	6601221	MAIN PIPE	1
230	6600817	DRIVE SHAFT	1
*231	6601299	GUARD	1 FOR EUROPE
*231	6601222	GUARD	1 FOR EUROPE (L)
232	6601223	GUARD HOLDER	1 FOR EUROPE (L)
233	6601333	COVER GUARD (EU)	1 FOR EUROPE
234	6601301	TAPPING SCREW D4X12	1 FOR EUROPE
235	6601302	KNIFE	1 FOR EUROPE
236	949554	NUT M4 (10 PCS.)	2 FOR USA,CAN
237	6696584	KNIFE	1 FOR USA,CAN
238	6696583	GUARD	1 FOR USA,CAN
239	323210	BOLT WASHER M4 (BLACK)	2 FOR USA,CAN
240	6685068	MACHINE SCREW (W/SP. WASHER) M4X12	2 FOR USA,CAN
		STANDARD ACCESSORIES	
501	6600574	BOX SPANNER 16X17MM	1
502	944458	HEX. BAR WRENCH 4MM	1
503	6600578	CUTTER COVER	2 EXCEPT FOR (L)
504	6600577	BLADE 25X3T	1 EXCEPT FOR (L)
505	6600863	TOOL BAG (N)	1
506	6600576	SAFETY GLASSES	1
507	6600579	HANGING STRAP (S)	1 FOR EUROPE (L)
508	6600580	HANGING STRAP (DE)	1 EXCEPT FOR (L)
509		MEASURING CUP	