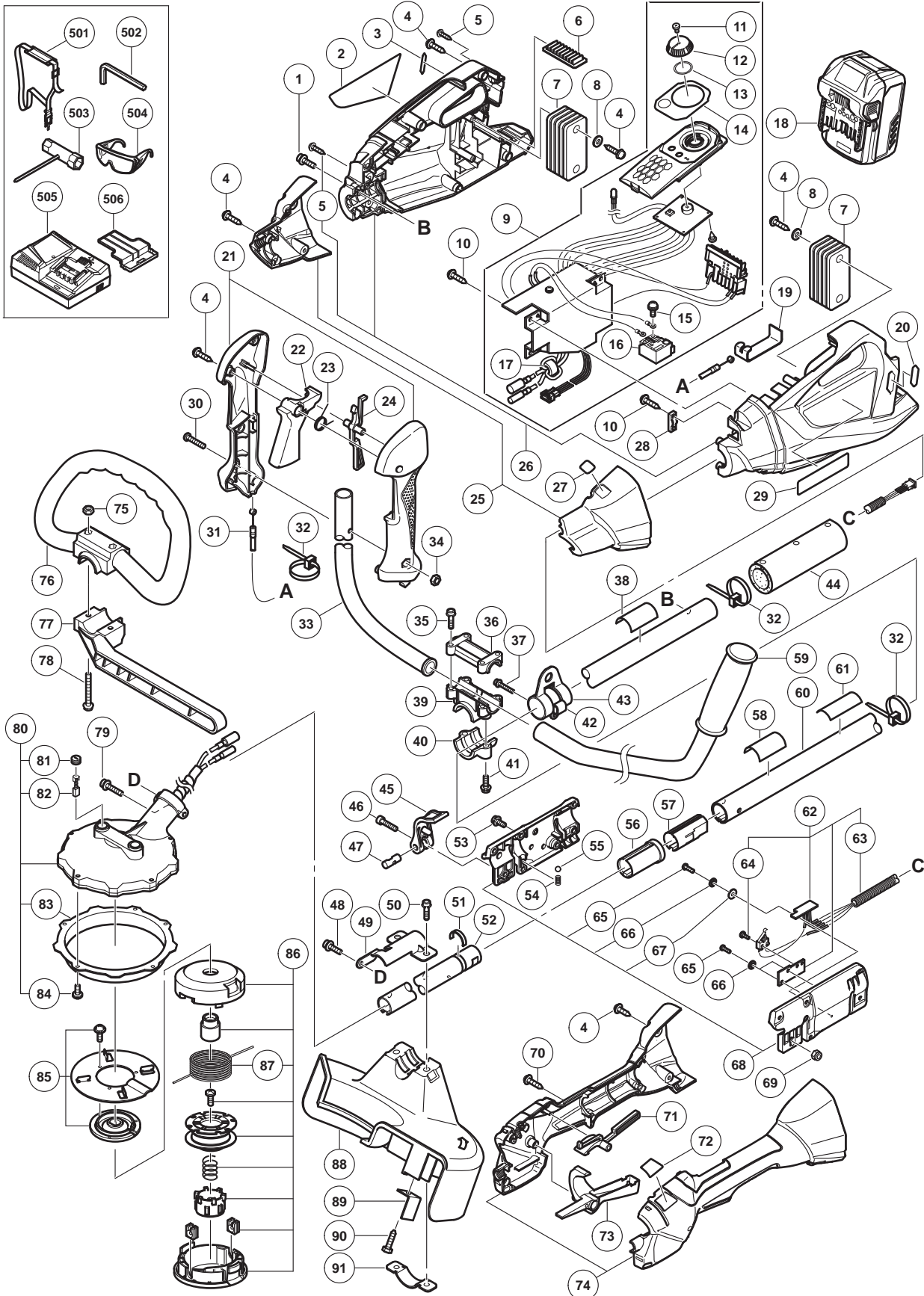


ELECTRIC TOOL PARTS LIST

CORDLESS GRASS TRIMMER Model CG 36DTA

2018-2-14
(E1)



PARTS

CG 36DTA

ITEM NO.	CODE NO.	DESCRIPTION	NO. USED	REMARKS
1	996728	HEX. SOCKET HD. BOLT (W/WASHERS) M5 X 16	1	
2		NAME PLATE	1	
3		MV LABEL (B)	1	
4	301653	TAPPING SCREW (W/FLANGE) D4 X 20 (BLACK)	17	
5	313687	TAPPING SCREW (W/FLANGE) D3 X 16 (BLACK)	5	
6	370328	BUTTERY RUBBER (B)	1	
7	335748	COUNTER WEIGHT	10	
8	329140	WASHER (M)	4	
* 9	373121	CONTROLLER	1	INCLUD.11-17
* 9	373122	CONTROLLER	1	INCLUD.11-17 FOR MODEL (L)
10	984750	TAPPING SCREW (W/FLANGE) D4 X 16	6	
11	333162	MACHINE SCREW M1.7 X 3.5	1	
12	332550	DIAL	1	
13	876031	O-RING (S-16)	1	
14		PANEL SHEET	1	
15	980060	MACHINE SCREW (W/WASHER) M3.5 X 5	1	
16	332552	SWITCH	1	
17	334379	FERRITE CORE	1	
18	371750	BATTERY BSL 36A18 (EUROPE,AUS,NZL)	1	INCLUD.506
* 19	330771	PLATE	1	EXCEPT FOR MODEL (L)
20		MV LABEL (A)	1	
* 21	334541	HANDLE (A).(B) SET	1	EXCEPT FOR MODEL (L)
* 22	334544	LEVER	1	EXCEPT FOR MODEL (L)
* 23	332557	SPRING	1	EXCEPT FOR MODEL (L)
* 24	6696490	LOCK LEVER	1	EXCEPT FOR MODEL (L)
* 25	335230	COVER (A).(B) SET	1	EXCEPT FOR MODEL (L)
26	373124	HOUSING (A).(B) SET	1	INCLUD.5
* 27		LABEL (B)	1	EXCEPT FOR MODEL (L)
28	937631	CORD CLIP	1	
29		BRAND LABEL	1	
* 30	323041	MACHINE SCREW M5 X 30 (BLACK)	1	EXCEPT FOR MODEL (L)
* 31	335749	WIRE	1	EXCEPT FOR MODEL (L)
* 32	988054	CABLE TIE	3	
* 32	988054	CABLE TIE	1	FOR MODEL (L)
* 33	335750	HANDLE RIGHT	1	EXCEPT FOR MODEL (L)
* 34	302012	NUT M5 (BLACK)	1	EXCEPT FOR MODEL (L)
* 35	6684709	HEX. HOLE BOLT M5 X 25/S	4	EXCEPT FOR MODEL (L)
* 36	334554	HANDLE BRACKET (A)	1	EXCEPT FOR MODEL (L)
37	6695515	HEX. HOLE BOLT M5 X 25WS	1	
38		CAUTION LABEL (C)	1	
* 39	334555	HANDLE HOLDER (B)	1	EXCEPT FOR MODEL (L)
* 40	334556	HANDLE HOLDER (C)	1	EXCEPT FOR MODEL (L)
* 41	6684714	HEX. HOLE BUTTON BOLT M6 X 25	2	EXCEPT FOR MODEL (L)
42	6689293	HANGER FIXING BRACKET	1	
43	6689278	HANGER	1	
* 44	334847	WAIST PROTECTOR	1	EXCEPT FOR MODEL (L)
45	334550	HOLDER LEVER	1	
46	949664	HEX. SOCKET HD. BOLT M5 X 30 (10 PCS.)	1	
47	334560	HOLDER SHAFT	1	
48	6699176	HEX. SOCKET HD. BOLT (W/SP.WASHER) M5 X 12	1	

PARTS

CG 36DTA

ITEM NO.	CODE NO.	DESCRIPTION	NO. USED	REMARKS	
49	333321	COVER BRACKET	1		
50	6684714	HEX. HOLE BUTTON BOLT M6 X 25	2		
51	373145	RETAINING RING	1		
52	334547	MAIN PIPE (B)	1		
53	316107	HEX. SOCKET HD. BOLT (W/WASHERS) M5 X 20	6		
54	334562	SPRING (B)	1		
55	959150	STEEL BALL D6.35 (10 PCS.)	1		
56	334553	SLEEVE (B)	1		
57	336612	SLEEVE (A)	1		
*	58	LEVEL MARK (B)	1	FOR MODEL (L)	
*	59	6698638 HANDLE (LEFT)	1	EXCEPT FOR MODEL (L)	
	60	334546 MAIN PIPE (A)	1		
	61	CAUTION LABEL (D)	1		
*	62	335754 SENSOR ASS'Y	1	INCLUD.63,64	
*	62	335755 SENSOR ASS'Y	1	INCLUD.63,64 FOR MODEL (L)	
*	63	335765 PROTECTION TUBE L670	1		
*	63	335766 PROTECTION TUBE L465	1	FOR MODEL (L)	
	64	306622 MACHINE SCREW (W/WASHERS) M3 X 10	1		
	65	949203 MACHINE SCREW M3 X 8 (10 PCS.)	3		
	66	949451 SPRING WASHER M3 (10 PCS.)	3		
	67	336394 WASHER	1		
	68	335753 HOLDER CASE (A).(B) SET	1	INCLUD.65-67	
	69	877371 NYLON NUT M5	1		
*	70	334333 TAPPING SCREW D3 X 12 (BLACK)	1	FOR MODEL (L)	
*	71	335752 LOCK LEVER	1	FOR MODEL (L)	
*	72	LABEL (D)	1	FOR MODEL (L)	
*	73	335239 LEVER	1	FOR MODEL (L)	
*	74	335232 HANDLE (A).(B) SET	1	FOR MODEL (L)	
*	75	949556 NUT M6 (10 PCS.)	2	FOR MODEL (L)	
*	76	6699030 LOOP HANDLE	1	FOR MODEL (L)	
*	77	6699032 BARRIER	1	FOR MODEL (L)	
*	78	6696974 BOLT (BLACK) M6	2	FOR MODEL (L)	
	79	6684973 HEX.HOLE BOLT M5 X 30/WS	1		
	80	335741 DISC MOTOR ASS'Y	1	INCLUD.81-84	
	81	334294 BRUSH CAP	2		
	82	999016 CARBON BRUSH (1 PAIR)	2		
	83	334297 FAN COVER	1		
	84	333163 MACHINE SCREW (BLACK) M4 X 16	5		
	85	335758 FLANGE	1		
	86	335234 NYLON HEAD	1	INCLUD.87	
	87	335235 NYLON CORD D2.0 X 4M	1		
	88	333899 COVER	1		
	89	6684754 KNIFE	1		
	90	6684753 TAPPING SCREW 5 X 20	1		
	91	6696951 GUARD HOLDER	1		

