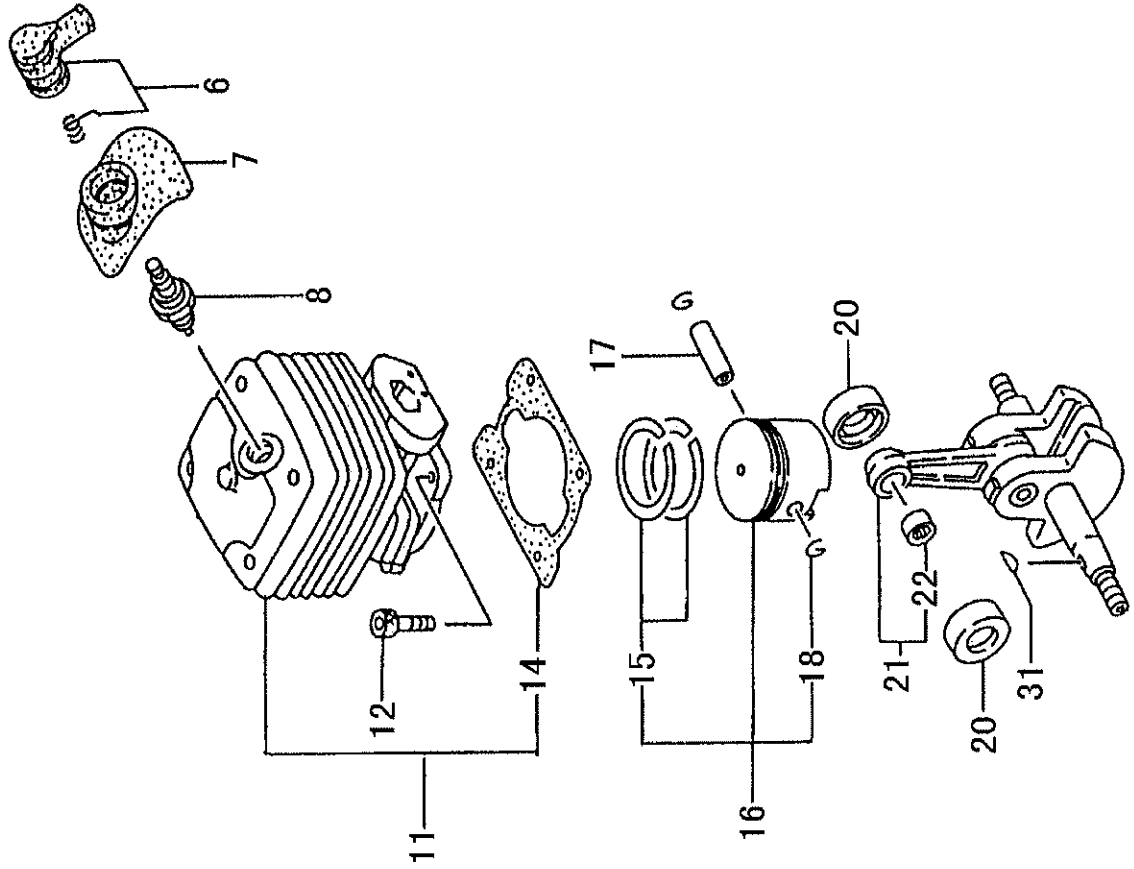


B44

CG47EJ

Serial No.

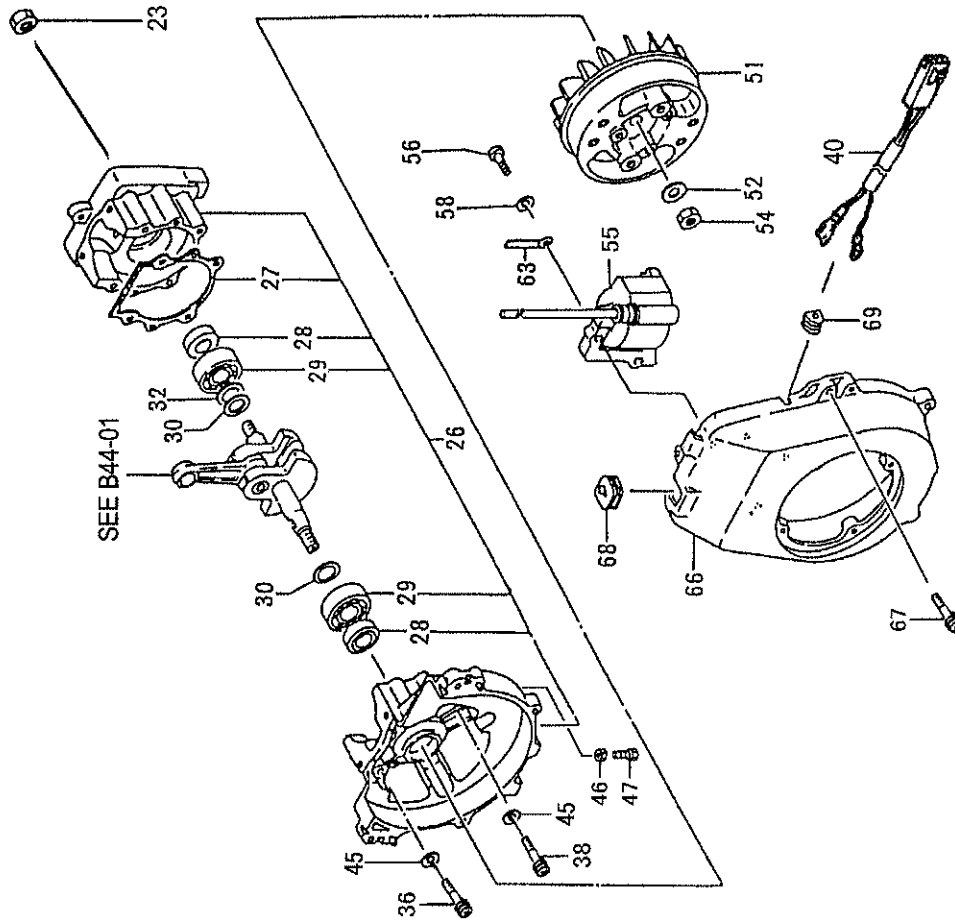
B44-01 CG47EJ CYLINDER/PISTON/CRANK SHAFT



| REF. NUMBER | PARTS NUMBER | DESCRIPTION | QTY | SERIAL NUMBER |
|-------------|--------------|-------------------------|-----|---------------|
| 006 | 668-7479 | SPARK PLUG CAP ASS'Y | 1 | |
| 007 | 668-8336 | SPARK PLUG RUBBER COVER | 1 | |
| 008 | 668-5086 | SPARK PLUG BPMR6A | 1 | |
| 011 | 668-5470 | CYLINDER SET | 1 | |
| 012 | 668-4586 | HEX.HOLE BOLT M5X18/S | 4 | |
| 014 | 668-5738 | CYLINDER GASKET | 1 | |
| 015 | 668-6126 | PISTON RING | 2 | |
| 016 | 668-5887 | PISTON SET | 1 | |
| 017 | 668-6019 | PISTON PIN 10X35 | 1 | |
| 018 | 668-6026 | PISTON PIN CIRCLIP | 2 | |
| 020 | 668-5993 | PISTON PIN COLLAR | 2 | |
| 021 | 668-6190 | CRANK SHAFT COMP. | 1 | |
| 022 | 669-5602 | NEEDLE BEARING, 2X8.8 | 1 | |
| 031 | 668-6457 | WOOD-RUFF KEY 3X13X5 | 1 | |

B44-02

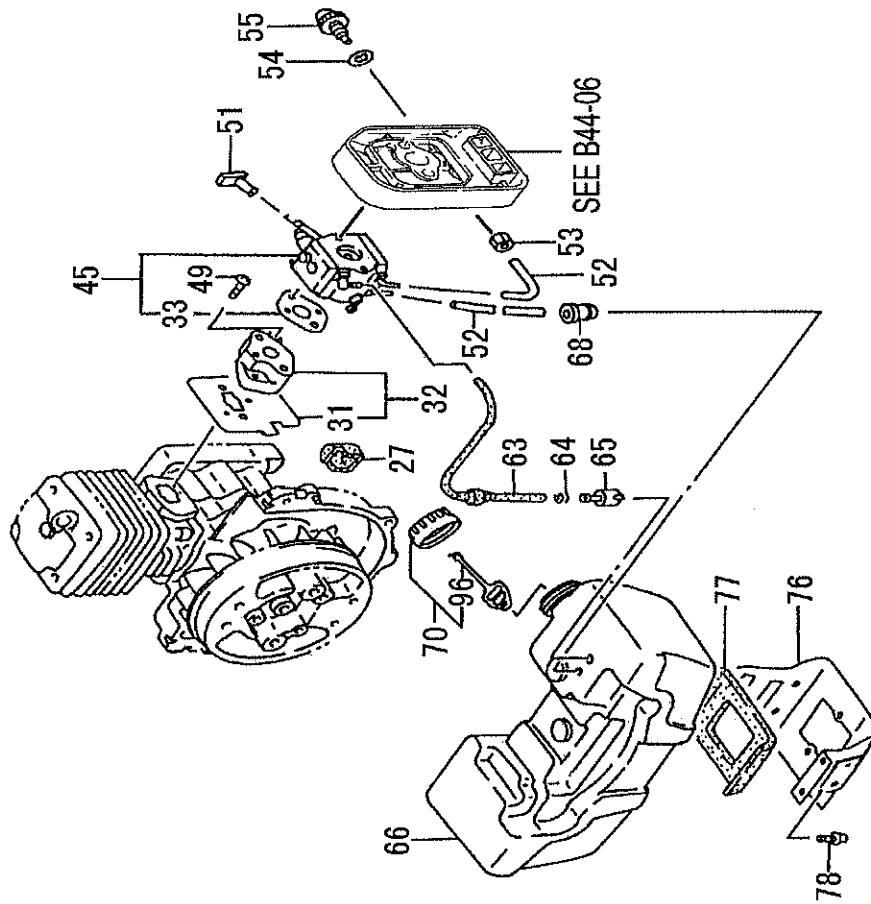
CG47EJ CRANK CASE



| REF. NUMBER | PARTS NUMBER | DESCRIPTION | Q'TY | SERIAL NUMBER |
|-------------|--------------|--------------------------------|------|---------------|
| 023 | 669-5139 | SMALL NUT 10 | 1 | |
| 026 | 668-6553 | CRANK CASE ASS'Y | 1 | |
| 027 | 668-6713 | CRANK CASE GASKET | 1 | |
| 028 | 669-5637 | OIL SEAL UD15257 | 2 | |
| 029 | 669-5557 | BALL BEARING #6202, 35MM/OD | 2 | |
| 030 | 668-6463 | CRANK SHAFT WASHER 15.2X22 | 2 | |
| 032 | 668-6472 | CRANK SHAFT SHIM 0.20 | V | |
| 032 | 668-6473 | CRANK SHAFT SHIM 0.30 | V | |
| 036 | 669-5084 | HEX HOLE BUTTON SCREW 6X45 | 2 | |
| 038 | 668-4825 | HEX. SOCKET HD. BOLT (W/BUTTON | 2 | |
| 040 | 668-7966 | LEAD WIRE ASS'Y | 1 | |
| 045 | 668-4826 | S.WASHER 6 | 4 | |
| 046 | 668-4872 | LOCK NUT M6 | 1 | |
| 047 | 669-4043 | OUTER RECEIVER | 1 | |
| 051 | 668-7371 | MAGNET ROTOR COMP. | 1 | |
| 052 | 669-5185 | SMALL WASHER 10 | 1 | |
| 054 | 669-5138 | NUT 10 | 1 | |
| 055 | 668-7649 | IGNITION COIL COMP. | 1 | |
| 056 | 669-5339 | SCREW 5X18/S | 2 | |
| 058 | 668-4864 | SMALL WASHER 5 | 2 | |
| 063 | 668-8004 | CORD CLAMP COMP. | 1 | |
| 066 | 668-6972 | FAN CASE | 1 | |
| 067 | 669-5361 | SCREW 6X20/S | 4 | |
| 068 | 668-8055 | PRIMARY CORD GROMMET | 1 | |
| 069 | 668-8049 | PRIMARY CORD GROMMET | 1 | |

B44-03

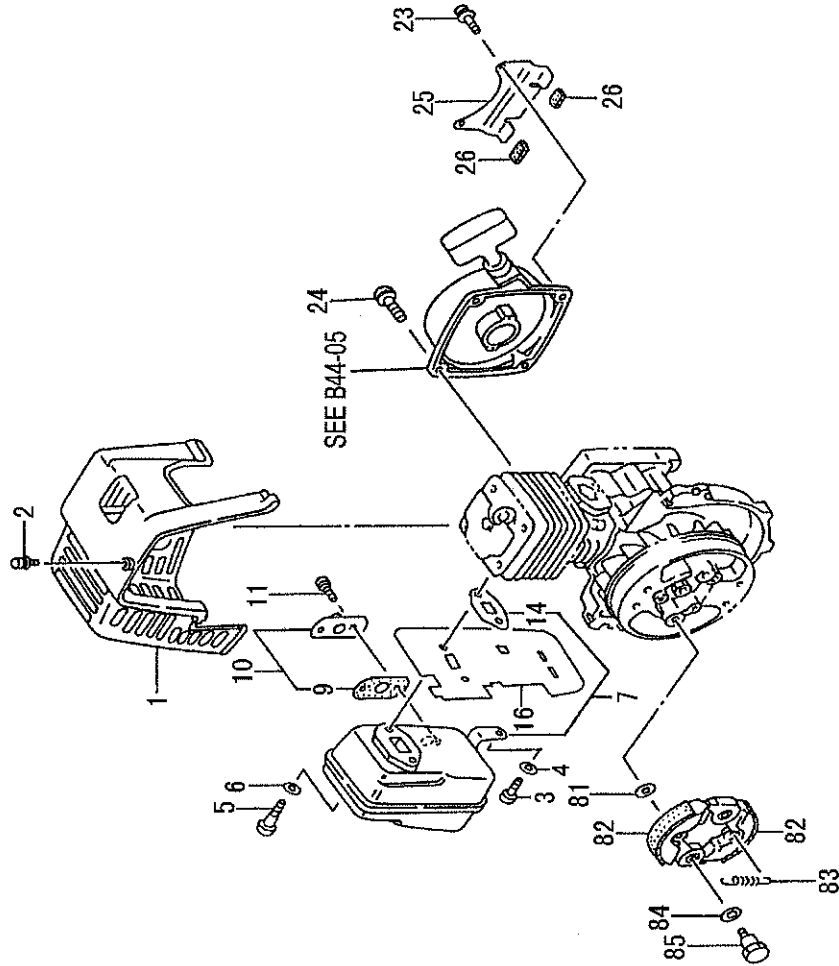
CG47EJ ENGINE-1



| REF. NUMBER | PARTS NUMBER | DESCRIPTION | Q'TY | SERIAL NUMBER |
|-------------|--------------|--------------------------|------|---------------|
| 027 | 669-2225 | FUEL TANK CUSHION RUBBER | 2 | |
| 031 | 668-9883 | INLET MANIFOLD GASKET | 1 | |
| 032 | 668-9950 | CARB. INSULATOR SET | 1 | |
| 033 | 668-9826 | CARBURETOR GASKET | 1 | |
| 045 | 669-0468 | CARBURETOR ASSY | 1 | |
| 049 | 669-5423 | SCREW 5X24WS | 2 | |
| 051 | 669-1004 | CHOKE LEVER | 1 | |
| 052 | 668-5267 | FUEL PIPE 2.5X4X90 | 2 | |
| 053 | 669-5139 | SMALL NUT 10 | 1 | |
| 054 | 669-5235 | INNER TOOTHED WASHER 10 | 1 | |
| 055 | 669-0080 | PRIMING PUMP COMP. | 1 | |
| 063 | 668-8166 | FUEL PIPE ASSY 3X5X180 | 1 | |
| 064 | 668-4619 | CLIP, 6.3 DIA. | 1 | |
| 065 | 669-2273 | PUMP FILTER BODY ASSY | 1 | |
| 066 | 669-1525 | FUEL TANK, VERMILION | 1 | |
| 068 | 668-4627 | RETURN GROMMET | 1 | |
| 070 | 669-1716 | TANK CAP D ASSY ORANGE | 1 | |
| 076 | 669-1927 | TANK HOLDING BAND | 1 | |
| 077 | 669-2193 | CUSHION RUBBER | 1 | |
| 078 | 669-5386 | SCREW 5X16/PS | 2 | |
| 096 | 668-4625 | TANK CAP CHAIN | 1 | |

B44-04

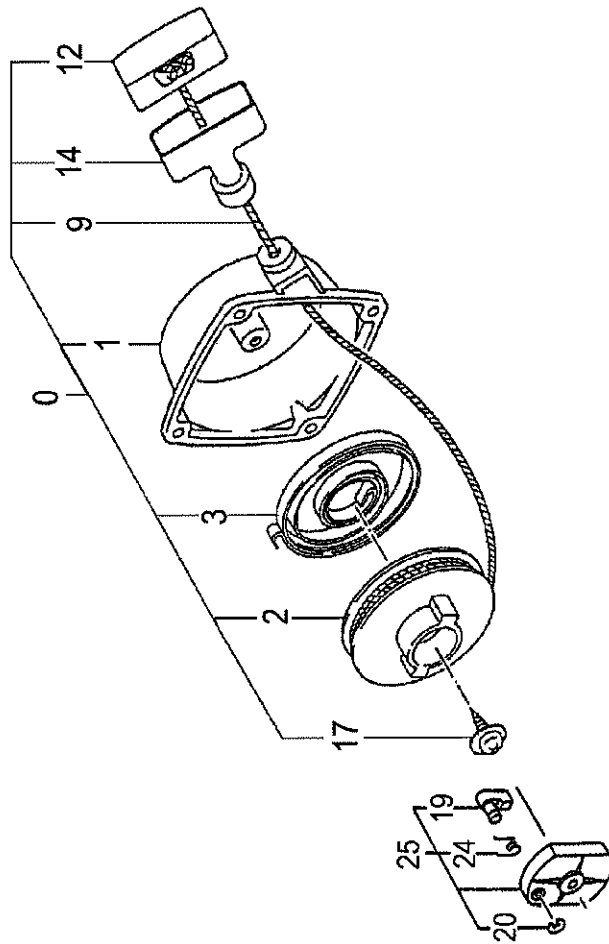
CG47EJ ENGINE-2



| REF. NUMBER | PARTS NUMBER | DESCRIPTION | QTY | SERIAL NUMBER |
|-------------|--------------|-----------------------------|-----|---------------|
| 001 | 669-2777 | MUFFLER PROTECTOR | 1 | |
| 002 | 669-5383 | SCREW 5X12/PS | 1 | |
| 003 | 668-4667 | HEX.HOLE BOLT M5X12/S | 1 | |
| 004 | 668-4918 | WASHER M5 | 1 | |
| 005 | 669-5088 | HEX. HOLE BUTTON SCREW 6X65 | 2 | |
| 006 | 668-4639 | WASHER 6 | 2 | |
| 007 | 669-2465 | MUFFLER SET, SPARE | 1 | |
| 009 | 669-2883 | MUFFLER SPECIAL GASKET | 1 | |
| 010 | 669-2648 | TAIL PIPE SET, SPARE | 1 | |
| 011 | 669-5325 | SCREW 4X8/S | 2 | |
| 014 | 669-2741 | MUFFLER GASKET | 1 | |
| 016 | 668-7242 | HEAT SHIELD | 1 | |
| 023 | 669-5389 | SCREW 5X18/PS | 2 | |
| 024 | 669-5395 | SCREW 5X25/PS | 2 | |
| 025 | 669-2205 | TANK BRACKET | 1 | |
| 026 | 669-2227 | FUEL TANK CUSHION RUBBER | 2 | |
| 081 | 668-9645 | CLUTCH WASHER B | 2 | |
| 082 | 668-8615 | CLUTCH ARM | 2 | |
| 083 | 668-9429 | CLUTCH SPRING | 1 | |
| 084 | 669-5203 | WAVE WASHER 10 | 2 | |
| 085 | 668-9628 | CLUTCH STEP BOLT | 2 | |

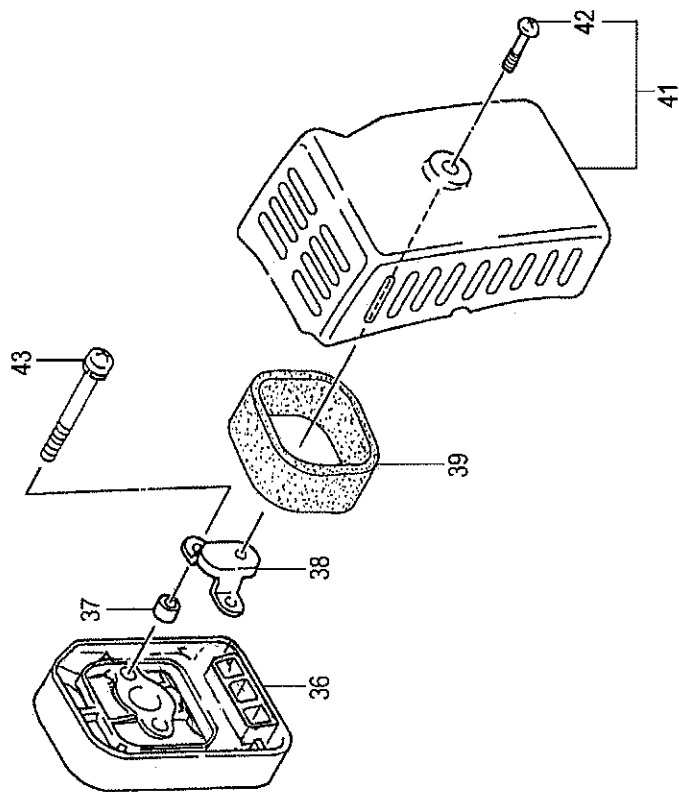
B44-05

CG47EJ RECOIL STARTER



| REF. NUMBER | PARTS NUMBER | DESCRIPTION | QTY | SERIAL NUMBER |
|-------------|--------------|---------------------------|-----|---------------|
| 000 | 669-2970 | RECOIL STARTER BODY ASSY | 1 | |
| 001 | 669-3025 | RECOIL STARTER BODY COMP. | 1 | |
| 002 | 669-3007 | STARTER ROPE REEL | 1 | |
| 003 | 669-3114 | RECOIL SPRING | 1 | |
| 009 | 669-3165 | STARTER ROPE | 1 | |
| 012 | 669-3607 | STARTER HANDLE CAP | 1 | |
| 014 | 669-3232 | STARTER HANDLE | 1 | |
| 017 | 669-3634 | SET SCREW | 1 | |
| 019 | 669-3302 | STARTER PAWL | 1 | |
| 020 | 668-4683 | STOP RING E-5 | 1 | |
| 024 | 669-3345 | STARTER PAWL SPRING | 1 | |
| 025 | 669-3395 | STARTER PULLEY | 1 | |

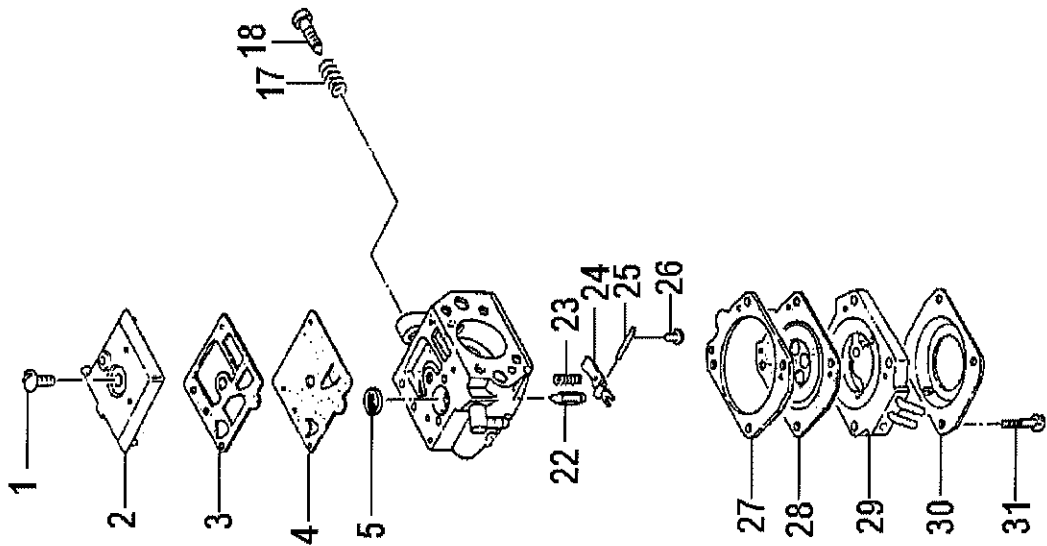
B44-06 CG47EJ AIR CLEANER



| REF. NUMBER | PARTS NUMBER | DESCRIPTION | QTY | SERIAL NUMBER |
|-------------|--------------|-----------------------------|-----|---------------|
| 036 | 669-0106 | CLEANER BODY | 1 | |
| 037 | 669-2244 | COLLAR 5.8 | 2 | |
| 038 | 669-0848 | BLOW OVER CHECK BOARD COMP. | 1 | |
| 039 | 669-0357 | CLEANER ELEMENT | 1 | |
| 041 | 669-0149 | CLEANER COVER ASSY | 1 | |
| 042 | 669-0383 | COVER FIXING BOLT | 1 | |
| 043 | 669-5354 | SCREW 5X60/S | 2 | |

B44-07

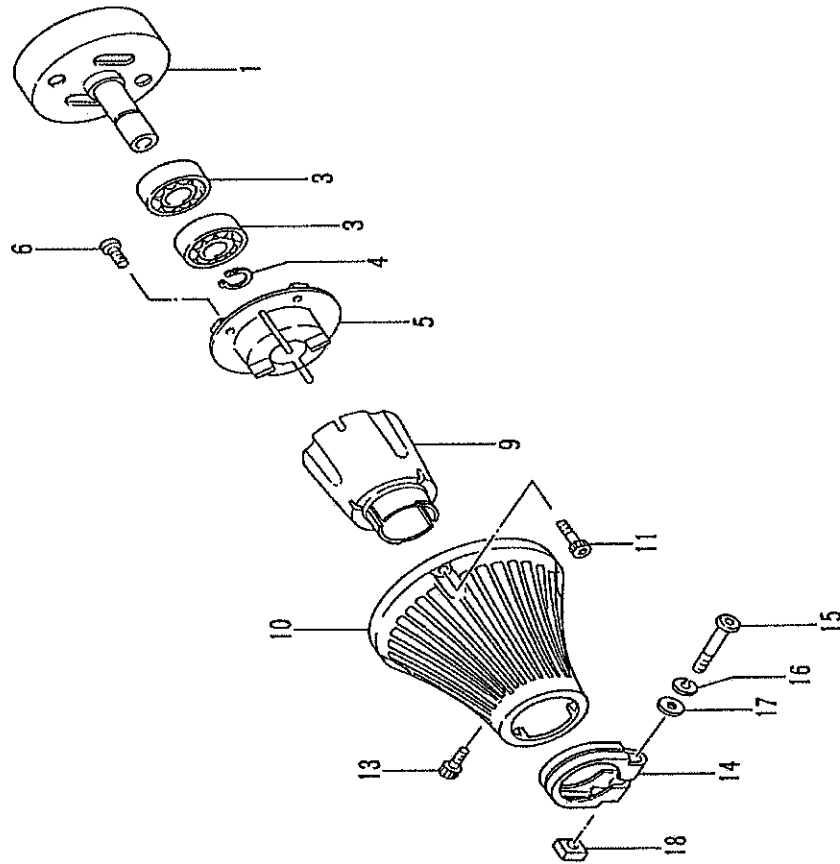
CG47EJ CARBURETOR



| REF. NUMBER | PARTS NUMBER | DESCRIPTION | Q'TY | SERIAL NUMBER |
|-------------|--------------|--------------------------|------|---------------|
| 001 | 668-5210 | SCREW | 1 | |
| 002 | 669-1420 | PUMP BODY | 1 | |
| 003 | 669-1455 | PUMP GASKET | 1 | |
| 004 | 669-1446 | PUMP DIAPHRAGM | 1 | |
| 005 | 668-4700 | INLET SCREEN | 1 | |
| 017 | 669-0766 | IDLE ADJUST SPRING | 1 | |
| 018 | 669-0736 | IDLE ADJUST SCREW | 1 | |
| 022 | 668-5215 | NEEDLE VALVE | 1 | |
| 023 | 669-0874 | VALVE SPRING | 1 | |
| 024 | 669-0819 | CONTROL LEVER | 1 | |
| 025 | 668-5219 | HINGE PIN | 1 | |
| 026 | 668-5218 | HINGE PIN SET SCREW | 1 | |
| 027 | 669-0840 | DIAPHRAGM GASKET | 1 | |
| 028 | 669-0829 | METERING DIAPHRAGM COMP. | 1 | |
| 029 | 669-0434 | AIR PURGE COMP. | 1 | |
| 030 | 669-0860 | DIAPHRAGM COVER | 1 | |
| 031 | 669-1310 | SET SCREW | 4 | |

B44-08

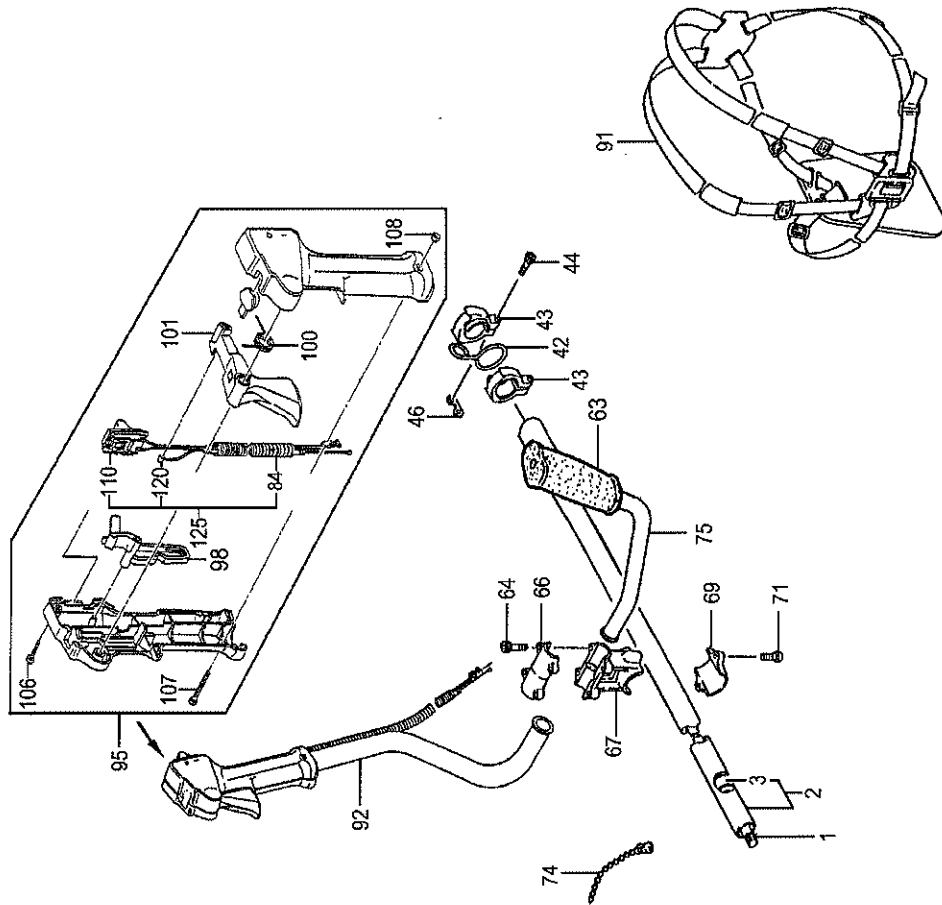
CG47EJ CLUTCH CASE



| REF. NUMBER | PARTS NUMBER | DESCRIPTION | QTY | SERIAL NUMBER |
|-------------|--------------|------------------------------|-----|---------------|
| 001 | 668-8582 | CLUTCH SHAFT COMP. | 1 | |
| 003 | 669-5559 | BALL BEARING #6202Z, 35MM/OD | 2 | |
| 004 | 669-5285 | STOP RING C-15, OUTER | 1 | |
| 005 | 668-9506 | CLUTCH FLANGE | 1 | |
| 006 | 669-5337 | SCREW 5X16/S | 4 | |
| 009 | 669-1828 | CUSHION RUBBER COMP. | 1 | |
| 010 | 668-9193 | CLUTCH CASE | 1 | |
| 011 | 668-4667 | HEX.HOLE BOLT M5X12/S | 4 | |
| 013 | 669-5042 | HEX. HOLE BOLT 5X10 | 1 | |
| 014 | 668-8541 | PIPE HOLDER | 1 | |
| 015 | 669-5084 | HEX HOLE BUTTON SCREW 6X45 | 1 | |
| 016 | 668-4826 | S.WASHER 6 | 1 | |
| 017 | 669-5194 | WASHER 6 | 1 | |
| 018 | 669-6512 | SQUARE NUT 6 | 1 | |

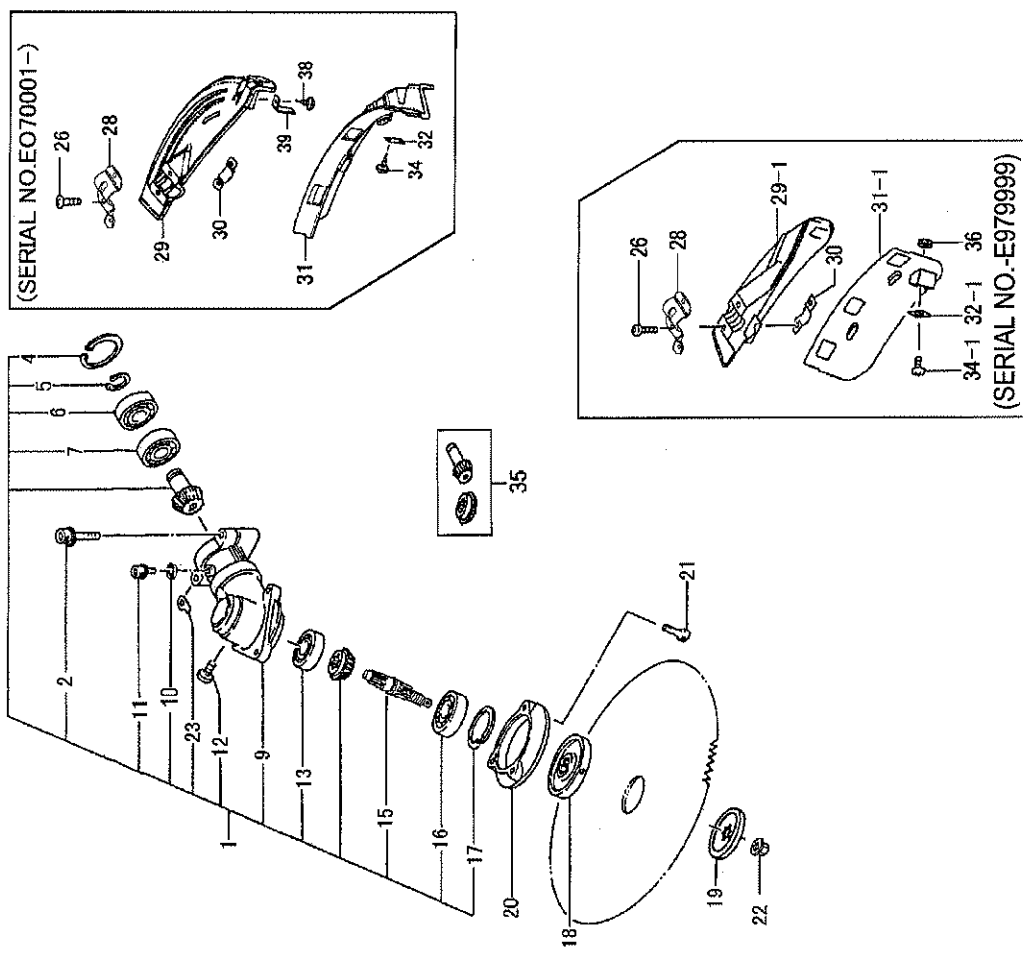
B44-09

CG47EJ OPERATION PIPE



| REF. NUMBER | PARTS NUMBER | DESCRIPTION | Q'TY | SERIAL NUMBER |
|-------------|--------------|--------------------------------|------|---------------|
| 001 | 668-9464 | DRIVE SHAFT | 1 | |
| 002 | 668-9356 | DRIVE SHAFT PIPE COMP., SILVER | 1 | |
| 003 | 668-9515 | BUSHING ASS'Y | 5 | |
| 042 | 668-9271 | LIFTING METAL | 1 | |
| 043 | 668-9252 | LIFTING METAL COLLAR | 2 | |
| 044 | 669-5501 | HEX. HOLE BOLT 5X30.P | 2 | |
| 046 | 668-9100 | SPECIAL NUT | 1 | |
| 063 | 668-4708 | HANDLE GRIP | 1 | |
| 064 | 669-5492 | HEX. HOLE BOLT 5X22/S | 4 | |
| 066 | 669-1132 | HANDLE BRACKET A, SILVER | 1 | |
| 067 | 669-1148 | HANDLE BRACKET B, SILVER | 1 | |
| 069 | 669-1167 | HANDLE BRACKET C, SILVER | 1 | |
| 071 | 668-4714 | HEX.HOLE BUTTON SCREW 6X25S | 2 | |
| 074 | 668-4715 | CLAMP B. | 3 | |
| 075 | 668-4716 | LEFT HANDLE | 1 | |
| 084 | 668-7542 | PROTECTION TUBE 7X790L | 1 | |
| 091 | 669-2870 | SHOULDER BELT ASSY,D3X | 1 | |
| 092 | 669-1075 | RIGHT HANDLE SK | 1 | |
| 095 | 669-3728 | THROTTLE LEVER ASS'Y 19 | 1 | |
| 098 | 668-4721 | SAFETY LEVER | 1 | |
| 100 | 668-4722 | RETURN SPRING | 1 | |
| 101 | 668-4723 | THROTTLE LEVER | 1 | |
| 106 | 668-4725 | SCREW M4X20 (BLACK) | 2 | |
| 107 | 668-4726 | SCREW 5X30 (BLACK) | 1 | |
| 108 | 668-4727 | CONTAL NUT 5 | 1 | |
| 110 | 668-7439 | STOP SWITCH COMP. | 1 | |
| 120 | 669-4008 | THROTTLT WIRE | 1 | |
| 125 | 669-3954 | THROTTLE WIRE COMP. | 1 | |

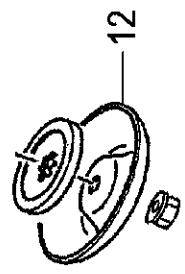
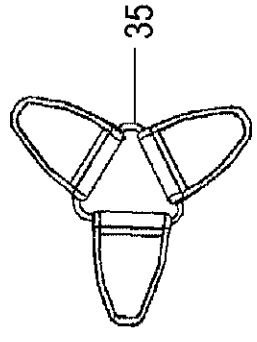
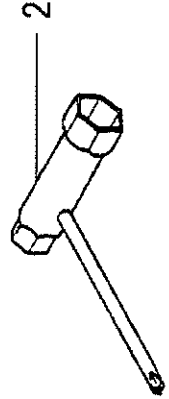
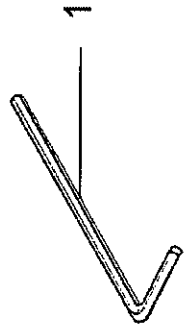
B44-10 CG47EJ GEAR CASE



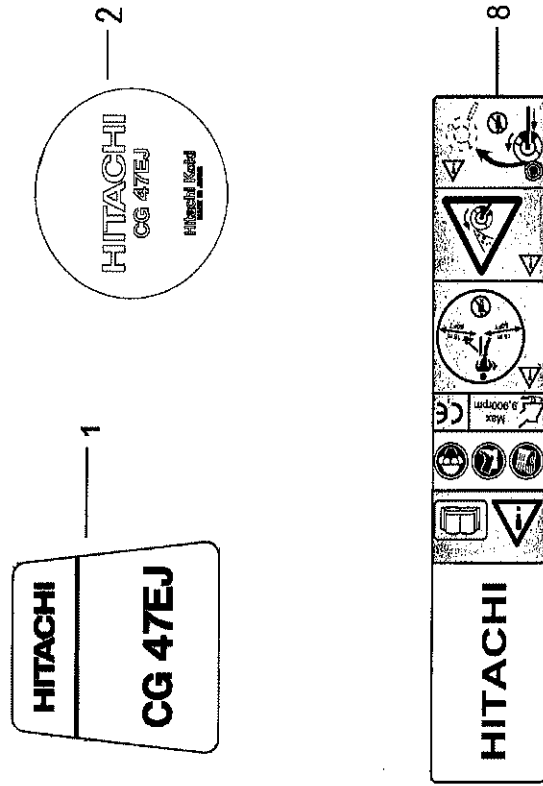
| REF. NUMBER | PARTS NUMBER | DESCRIPTION | Q'TY | SERIAL NUMBER |
|-------------|--------------|------------------------------|------|---------------|
| 001 | 668-8801 | GEAR CASE ASS'Y, 30 DIA | 1 | |
| 002 | 668-4709 | HEX.HOLE BOLT M5X25/S | 2 | |
| 004 | 668-4741 | STOP RING C-28,INNER | 1 | |
| 005 | 668-4664 | STOP RING C-12 OUTER | 1 | |
| 006 | 669-5532 | BALL BEARING #6001Z, 28MM/OD | 1 | |
| 007 | 669-5535 | BALL BEARING 6001 C3 | 1 | |
| 009 | 668-8703 | GEARCASE, SILVER | 1 | |
| 010 | 668-4834 | SPRING WASHER 5 | 1 | |
| 011 | 668-4829 | HEX. SOCKET HD. BOLT M5X12 | 1 | |
| 012 | 669-5437 | PLUS HEAD BOLT 8X10 | 1 | |
| 013 | 669-5524 | BALL BEARING #6000, 26MM/OD | 1 | |
| 015 | 668-8942 | GEAR SHAFT 6X11X14 | 1 | |
| 016 | 669-5563 | BALL BEARING #6203D, 40MM/OD | 1 | |
| 017 | 669-5298 | STOP RING C-40, INNER | 1 | |
| 018 | 668-9022 | CUTTER HOLDER | 1 | |
| 019 | 668-9052 | CUTTER HOLDER CAP,6X11X14 | 1 | |
| 020 | 668-8982 | PROTECTION COVER A COMP. | 1 | |
| 021 | 669-5418 | SCREW 5X16/WS | 3 | |
| 022 | 668-9072 | CUTTER FIXING NUT,L/H | 1 | |
| 023 | 668-9157 | GEAR CASE WASHER | 2 | |
| 026 | 668-4714 | HEX.HOLE BUTTON SCREW 6X25S | 2 | |
| 028 | 669-0312 | COVER BRACKET 30 | 1 | E979999 |
| 029,1 | 669-0230 | BLADE GUARD 30 CE | 1 | EO70001 - |
| 029 | 669-0264 | BLADE GUARD 30 CE | 1 | E979999 |
| 030 | 668-4748 | SAFETY COVER HOLDER | 1 | EO70001 - |
| 031,1 | 669-0372 | COVER GUARD | 1 | E979999 |
| 031 | 669-0376 | BLADE GUARD | 1 | EO70001 - |
| 032,1 | 669-3386 | KNIFE | 1 | E979999 |
| 032 | 668-4750 | KNIFE | 1 | EO70001 - |
| 034,1 | 669-5334 | SCREW 5X12/S | 1 | E979999 |
| 034 | 668-4751 | TAPPING SCREW 4X14 | 1 | EO70001 - |
| 035 | 668-8866 | GEAR-PINION SET, SPARE | 1 | E979999 |
| 036 | 668-4965 | NUT M5 | 1 | EO70001 - |
| 038 | 668-4753 | TAPPING SCREW 5X20 | 1 | EO70001 - |
| 039 | 668-4754 | KNIFE | 1 | EO70001 - |

B44-11

CG47EJ TOOLS



| REF. NUMBER | PARTS NUMBER | DESCRIPTION | QTY | SERIAL NUMBER |
|-------------|--------------|-------------------------|-----|---------------|
| 001 | 668-4813 | HEX. BAR WRENCH 4MM | 1 | |
| 002 | 668-4764 | BOX WRENCH (HEX. SOCKET | 1 | |
| 012 | 668-8994 | PROTECTION COVER B | 1 | |
| 030 | 668-4765 | SAFETY GLASSES | 1 | |
| 035 | 669-2016 | CUTTER COVER | 1 | |

B44-12**CG47EJ LABELS**

| REF. NUMBER | PARTS NUMBER | DESCRIPTION | Q'TY | SERIAL NUMBER |
|-------------|--------------|----------------------|------|---------------|
| 001 | 669-4614 | SYMBOL CG47EJ | 1 | |
| 002 | 669-4144 | NAME PLATE CG47EJ | 1 | |
| 008 | 668-4850 | CAUTION MARK 9900RPM | 1 | |