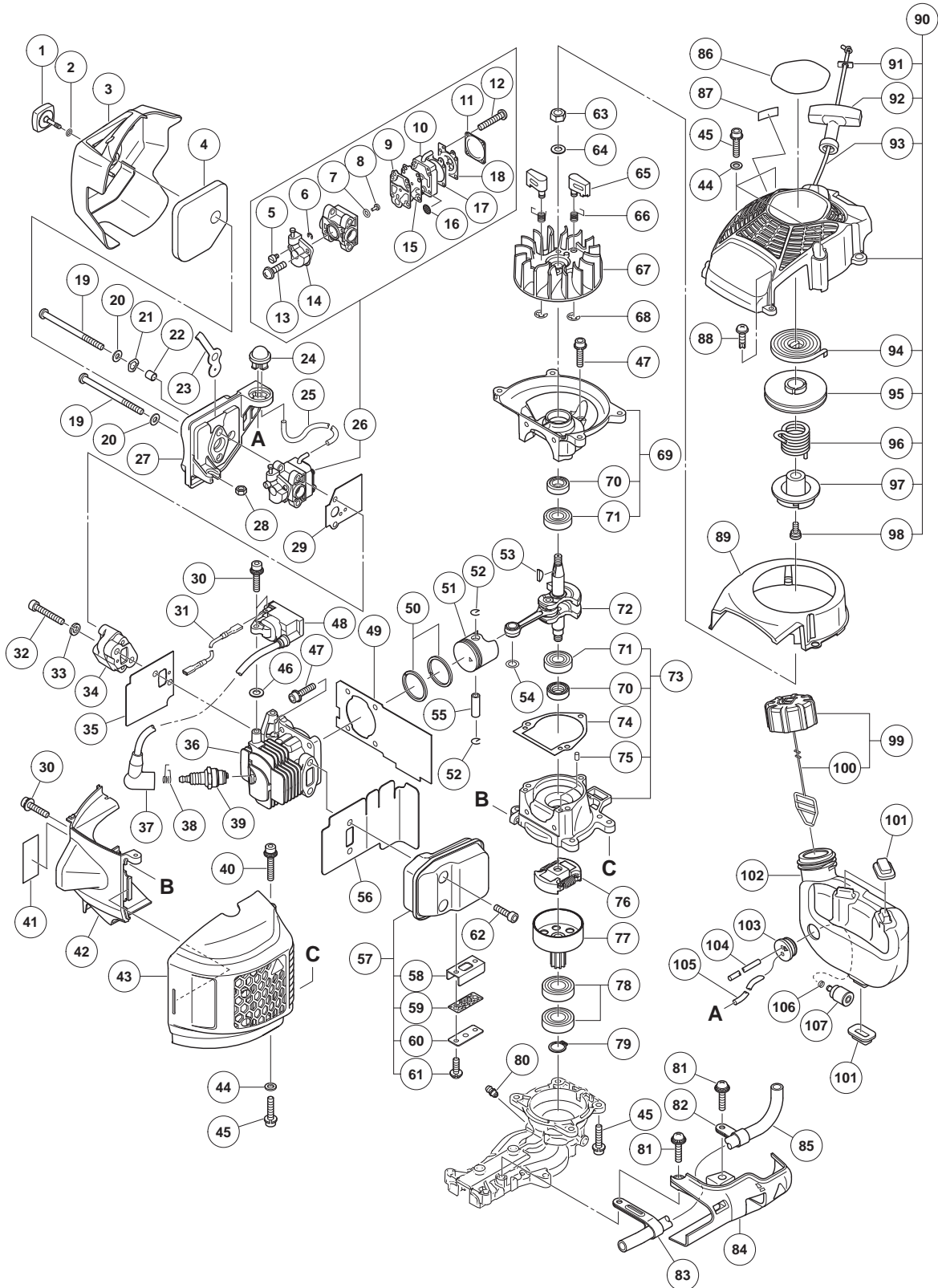
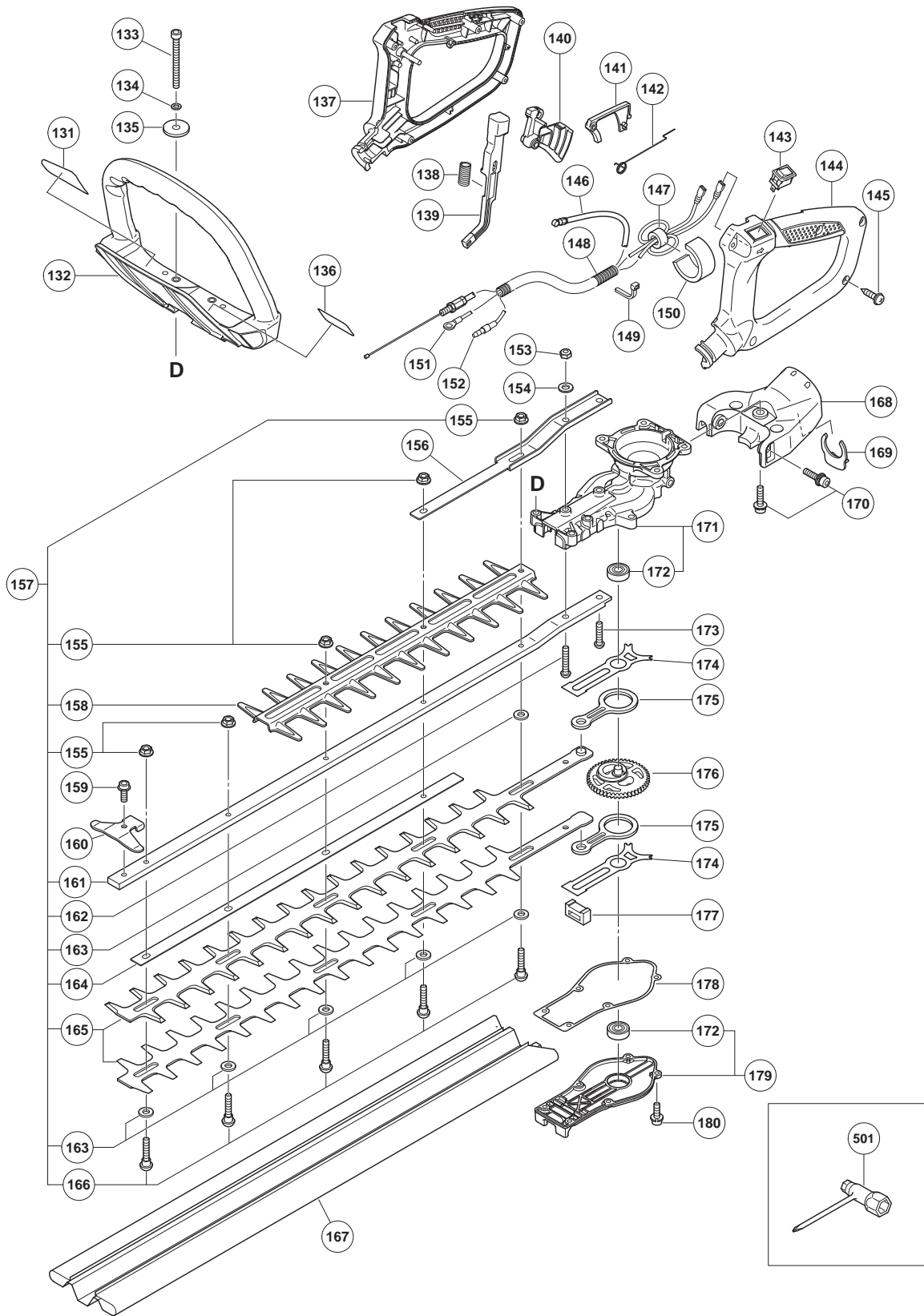


ENGINE TOOL PARTS LIST

ENGINE HEDGE TRIMMER
Model CH 24EBP

2018-12-19
(E1)





PARTS

CH 24EBP

ITEM NO.	CODE NO.	DESCRIPTION	NO. USED	REMARKS
1	6684655	COVER FIXING BOLT	1	
2	981317	O-RING (S-4)	1	
3	6601540	AIR CLEANER COVER	1	
4	6601539	AIR CLEANER ELEMENT	1	
5	6684697	SWIVEL	1	
6	6684696	STOP RING	1	
7	6684695	O-RING	1	
8		MAIN JET	1	
9	6684692	PUMP GASKET	1	
10		PUMP BODY	1	
11	6685222	DIAPHRAGM COVER-METERING	1	
12	6691312	SET SCREW	4	
13	6684698	THROTTLE SET SCREW	2	
14		THROTTLE VALVE	1	
15	6684693	PUMP DIAPHRAGM	1	
16	6684700	INLET SCREEN	1	
17	6685220	DIAPHRAGM PACKING-METERING	1	
18	6684690	METERING DIAPHRAGM	1	
19	6694914	SCREW M5 X 55	2	
20	6685407	BOLT WASHER D5	2	
21	334242	WAVE WASHER 8	1	
22	6601538	COLLAR M5	1	
23	6601537	CHOKE VALVE	1	
24	6685139	PRIMING PUMP COMP.	1	
25	6601607	FUEL PIPE	1	
26	6601535	CARBURETOR ASS'Y (WYL-367)	1	INCLUD.5-18
27	6601536	AIR CLEANER BASE	1	
28	949567	LOCK NUT M6 (10 PCS.)	1	
29	6698405	CARBURETOR PACKING	1	
30	6698388	HEX. SOCKET HD. BOLT (W/WASHERS) M4 X 18	3	
31	6696544	CORD	1	
32	6601358	SEAL LOCK HEX. SOCKET HD. BOLT M6 X 27	2	
33	6600910	SPRING WASHER D6	2	
34	6601491	CARBURETOR INSULATOR	1	
35	6601534	INTAKE PACKING	1	
36	6600902	CYLINDER N24	1	
37	6601421	PLUG CAP	1	
38	6699186	PLUG CAP METAL	1	
39	6600542	IGNITION PLUG (TORCH L7RTC)	1	
40	6600372	HEX. SOCKET HD. BOLT (W/WASHERS) M5	1	
41		EMISSION LABEL (EU)	1	
42	6601541	CYLINDER COVER	1	
43	6601544	MUFFLER COVER	1	
44	6685408	WASHER 5	4	
45	6698386	HEX. SOCKET HD. BOLT (W/SP.WASHER) M5 X 18	8	
46	6698700	GLASS WASHER	2	
47	6601339	HEX. SOCKET HD. BOLT (W/SP.WASHER) M5 X 22	7	
48	6601612	IGNITION COIL	1	
49	6601527	CYLINDER PACKING	1	
50	6698404	PISTON RING	2	

PARTS

CH 24EBP

ITEM NO.	CODE NO.	DESCRIPTION	NO. USED	REMARKS
51	6601429	PISTON N24	1	
52	6684590	CIR CLIP	2	
53	6601343	WOODRUFF KEY 3 X 13 X 4.5	1	
54	6600909	SHIM	1	
55	6601344	PISTON PIN	1	
56	6601531	HEAT PROTECTION PANEL	1	
57	6601529	MUFFLER ASS'Y	1	INCLUD.58-61
58	6601606	EXHAUST PIPE PACKING	1	
59	6601605	SPARK ARRESTER	1	
60	6601604	EXHAUST PIPE	1	
61	6685068	MACHINE SCREW (W/SP. WASHER) M4 X 12	2	
62	6600518	SEAL LOCK HEX. SOCKET HD. BOLT M6 X 16	2	
63	6696879	FLYWHEEL NUT M7	1	
64	6696880	BOLT WASHER D7	1	
65	6685334	STARTER PAWL	2	
66	6685335	STARTER PAWL SPRING	2	
67	6600053	MAGNETO ROTOR COMP.	1	
68	6685336	RETAINING RING D4	2	
69	6601602	CRANK CASE (F) ASS'Y	1	INCLUD.70,71
70	6684607	OIL SEAL TB 12227	2	
71	6684608	BALL BEARING 6001 C3	2	
72	6601528	CRANK SHAFT	1	
73	6601603	CRANK CASE (G) ASS'Y	1	INCLUD.70,71,75
74	6600514	CRANK CASE PACKING	1	
75	6696947	KNOCK PIN 4 X 12	2	
76	6699173	CLUTCH (B)	1	
77	6601548	CLUTCH DRUM	1	
78	6698740	BALL BEARING 6002ZC3	2	
79	939544	RETAINING RING FOR D15 SHAFT (10 PCS.)	1	
80	6688643	GREASE NIPPLE COMP.	1	
81	995096	MACHINE SCREW (W/WASHERS) M5 X 20 (BLACK)	2	
82	6699048	FIXATION PLATE (B)	1	
83	6699047	FIXATION PLATE (A)	1	
84	6601564	TAIL PIPE COVER	1	
85	6601563	TAIL PIPE	1	
86		BRAND LABEL	1	
87	6698921	TANK MARK LABEL (50:1)	1	
88	6698878	TAPPING SCREW D4.5 X 16	1	
89	6601543	AIR DEFLECTOR	1	
90	6601542	STARTER ASS'Y	1	INCLUD.91-98
91	6685189	PLATE	1	
92	6693227	STARTER HANDLE	1	
93		STARTER ROPE	1	
94		SPIRAL SPRING	1	
95		REEL	1	
96	6685183	DAMPER SPRING	1	
97		CAM PLATE	1	
98	6684679	SET SCREW	1	
99	6698402	FUEL TANK CAP ASS'Y	1	INCLUD.100
100	6698732	TANK CAP CHAIN	1	

PARTS

CH 24EBP

ITEM NO.	CODE NO.	DESCRIPTION	NO. USED	REMARKS
101	6698615	CUSHION RUBBER	3	
102	6601533	TANK (FT)	1	
103	6600358	FUEL GROMMET	1	
104	6698716	FUEL PIPE	1	
105	6601399	FUEL PIPE	1	
106	6696949	CLIP	1	
107	6600351	PUMP FILTER	1	
131		NAME PLATE	1	
132	6699079	HANDLE	1	
133	6698885	SEAL LOCK HEX. SOCKET HD. BOLT M5 X 40	2	
134	6698884	SPRING WASHER M5	2	
135	6698749	BRAKE AXIS WASHER	2	
136		CAUTION LABEL	1	
137	6601545	REAR HANDLE (A)	1	
138	6696348	SPRING (A)	1	
139	6601546	LOCK BUTTON	1	
140	6699053	THROTTLE LEVER	1	
141	6696344	TRIGGER LOCKOUT	1	
142	6696345	THROTTLE LEVER SPRING	1	
143	6601275	STOP SWITCH	1	
144	6601547	REAR HANDLE (B)	1	
145	305812	TAPPING SCREW (W/FLANGE) D4 X 16 (BLACK)	5	
146	6601613	THROTTLE WIRE	1	
147	334379	FERRITE CORE	1	
148	6698738	PROTECTION TUBE	1	
149	6698943	BAND	1	
150	6601617	SUPPORT (D)	1	
151	6699059	STOP SWITCH CORD (B)	1	
152	6696491	STOP SWITCH CORD	1	
153	6698766	NYLON NUT M6	2	
154	6684639	BOLT WASHER 6	2	
155	6699108	U-NUT M5	5	
156	6601616	SUPPORT PLATE (EB)	1	
157	6601554	BLADE ASS'Y (620MM)	1	INCLUD.155,158,161-166
158	6600013	LOWER PLATE	1	
159	6699065	HEX. SOCKET HD. BOLT (W/FLANGE) M5 X 8	1	
160	6699062	GUARD PLATE	1	
161		BLADE GUIDE (620MM)	1	
162	6699113	HEX. SOCKET HD. BOLT (W/BUTTON) M6 X 25	1	
163	6699112	WASHER (B)	6	
164	6600360	BLADE LINER	1	
165	6600014	HEDGE TRIMMER BLADE (C) 620MM	2	
166		SHOULDER BUTTON BOLT M5 X 25	5	
167	6698948	BLADE CASE (FOR 620MM)	1	
168	6601565	HANDLE BRACKET	1	
169	6696359	CLIP	1	
170	6699044	SEAL LOCK HEX. SOCKET BOLT (W/WASHERS) M5	3	
171	6601609	GEAR CASE (A) ASS'Y	1	INCLUD.172
172	6698772	BALL BEARING 608ZZC3	2	
173	6601555	HEX SOCKET BUTTON BOLT M6	1	

