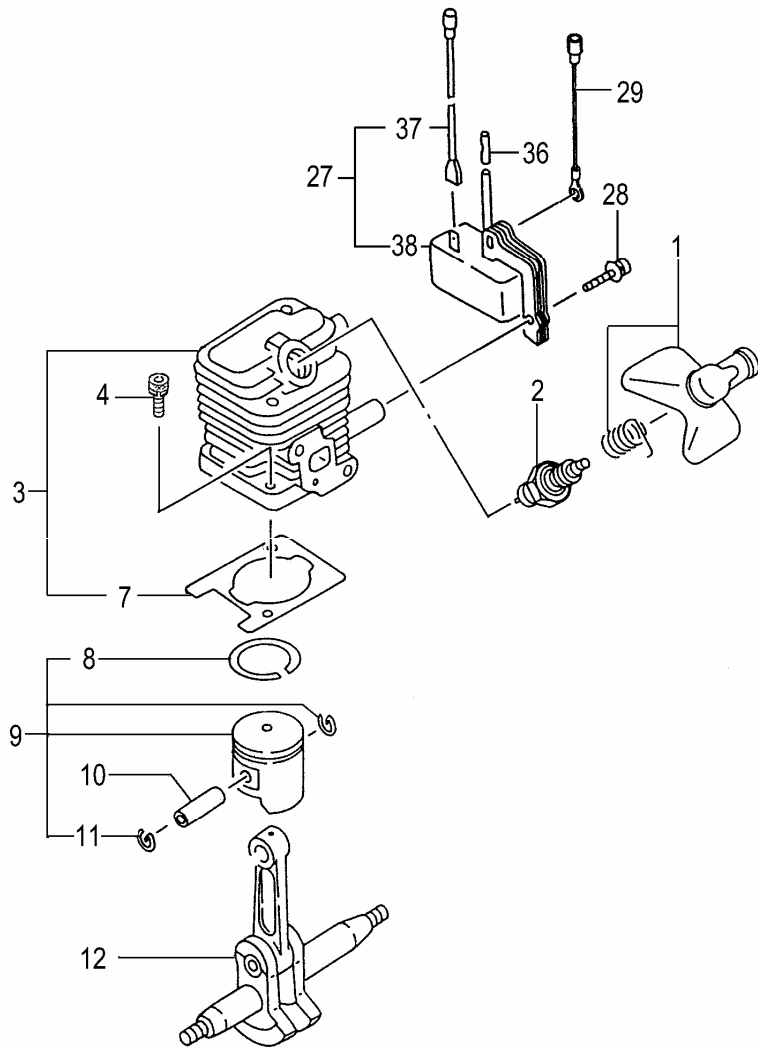


# H38

## CH50EA(ST)/CH62EA(ST)

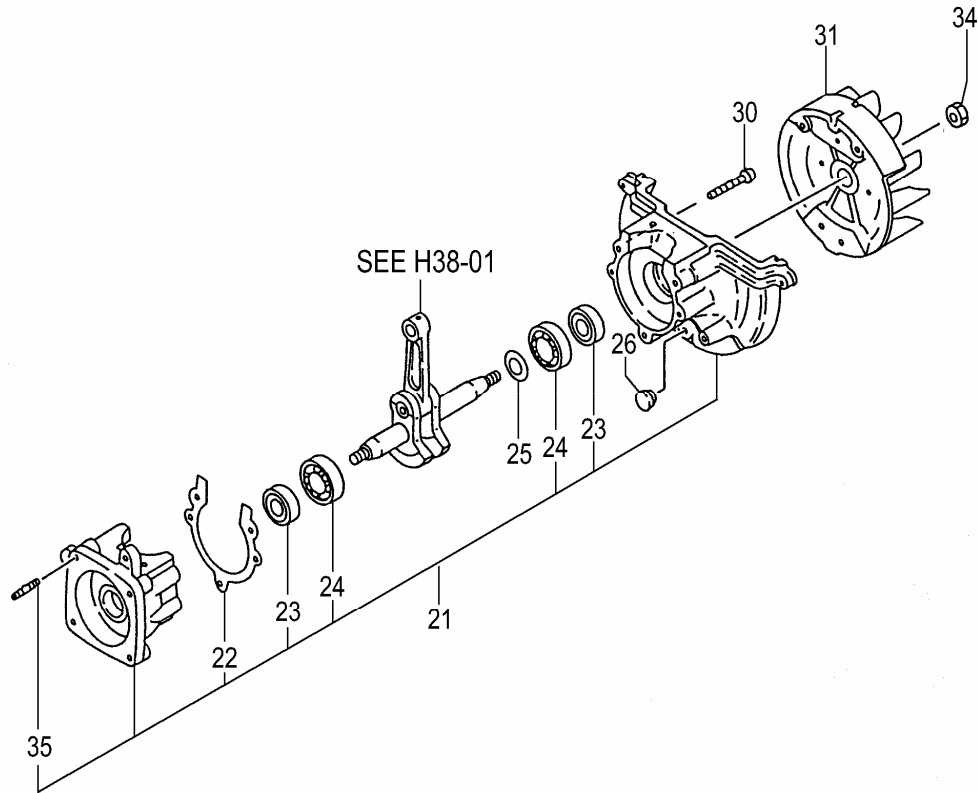
**Serial No.**

**H38-01 CH50EA(ST)/CH62EA(ST) CYLINDER/PISTON/CRANK SHAFT**



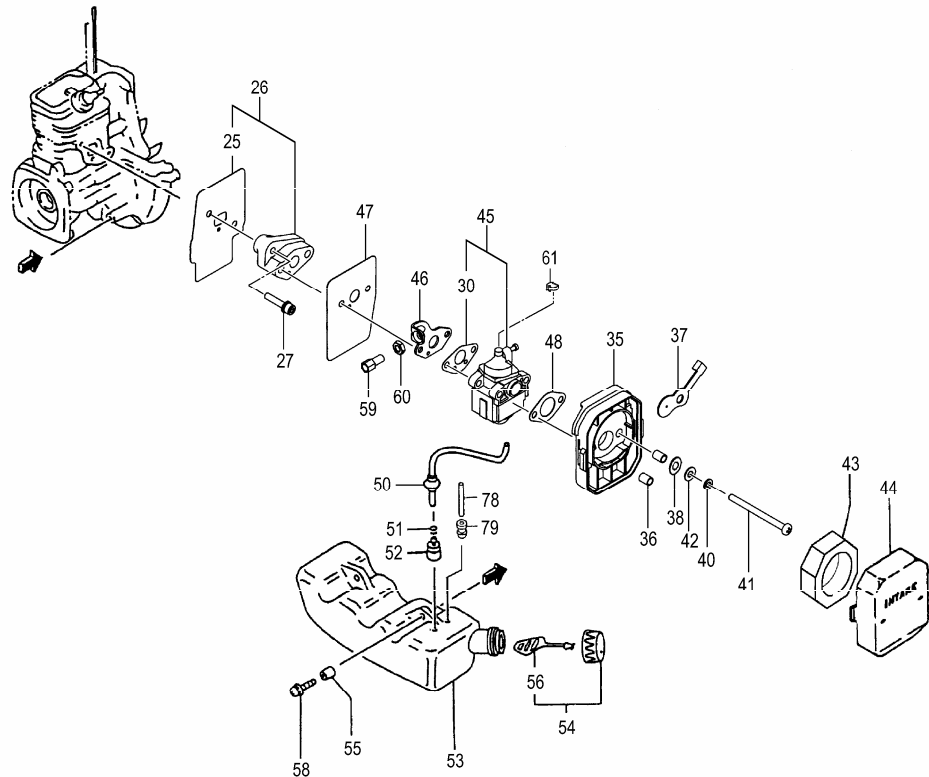
REF. NUMBER	PARTS NUMBER	DESCRIPTION	Q'TY	SERIAL NUMBER
001	157-06500-91	SPARK PLUG CAP ASS'Y	1	
002	018-00555-20	SPARK PLUG, RCJ8Y	1	
003	001-0650A-90	CYLINDER SET	1	
004	994-61050-184	HEX. HOLE BOLT 5X18/S	2	
007	017-06500-20	CYLINDER GASKET	1	
008	041-00601-21	PISTON RING	1	
009	030-00070-90	PISTON SET	1	
010	037-06500-20	PISTON PIN	1	
011	039-00601-20	PISTON PIN CIRCLIP	2	
012	046-06621-80	CRANK SHAFT COMP	1	
027	153-21532-90	IGNITION COIL ASS'Y	1	
028	994-64040-184	HEX. HOLE BOLT 4X18WS	2	
029	274-0700D-80	CORD, B130M	1	
036	250-06500-20	INSULATOR TUBE, 50L	1	
037	178-06500-80	CORD	1	
038	167-21532-80	IGNITION COIL COMP.	1	

**H38-02 CH50EA(ST)/CH62EA(ST) CRANK CASE**



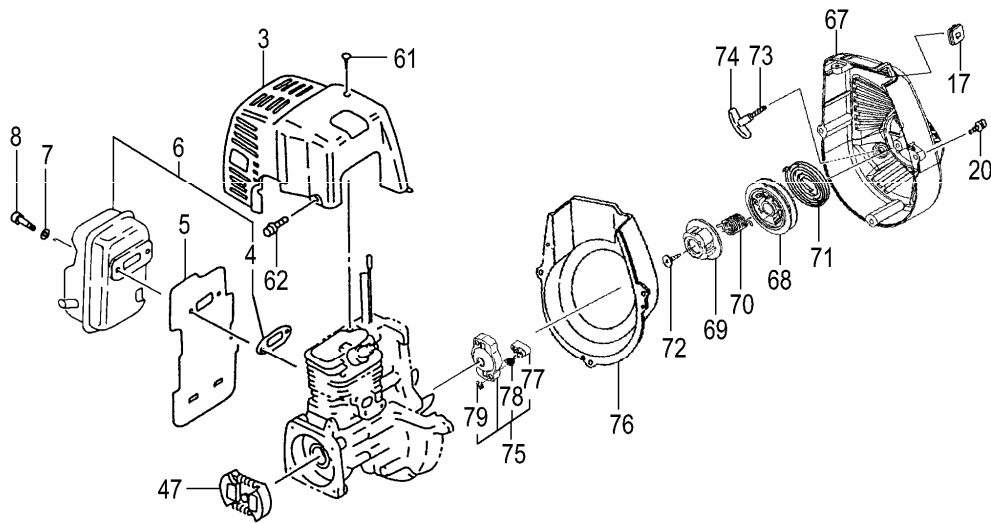
REF. NUMBER	PARTS NUMBER	DESCRIPTION	Q'TY	SERIAL NUMBER
021	072-06500-90	CRANK CASE ASS'Y	1	
022	090-06500-20	CRANKCASE GASKET	1	
023	999-66122-200	OIL SEAL TB 12227	2	
024	999-61600-115	BALL BEARING 6001 C3	2	
025	330-00200-21	GEAR SHAFT SHIM 0.10	V	
025	330-00200-22	GEAR SHAFT SHIM 0.15	V	
025	330-00200-23	GEAR SHAFT SHIM 0.20	V	
025	330-00200-24	GEAR SHAFT SHIM 0.30	V	
026	599-00601-20	ANTI-VIBE RUBBER	1	
030	994-61050-304	HEX. HOLE BOLT 5X30S	3	
031	155-21549-80	MAGNETO ROTOR COMP.	1	
034	991-01080-011	HEX. NUT 8	1	
035	100-02100-20	STUD BOLT 6X22	2	

### H38-03 CH50EA(ST)/CH62EA(ST) ENGINE-1



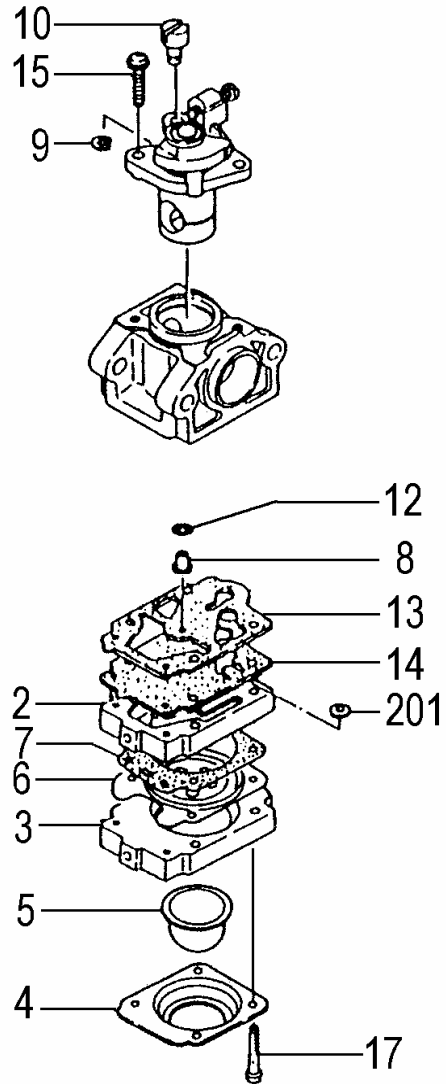
REF. NUMBER	PARTS NUMBER	DESCRIPTION	Q'TY	SERIAL NUMBER
025	403-06500-20	INTAKE PIPE GASKET	1	
026	404-06500-90	CARB. INSULATOR SET,SPA	1	
027	994-64050-254	HEX. HOLE BOLT 5X25WS	2	
030	402-0602K-21	CARBURETOR GASKET	1	
035	423-0072Z-81	CLEANER BODY COMP.	1	
036	470-00025-20	COLLAR	2	
037	528-0602K-20	CHOKE PLATE,W/1.5MM HO	1	
038	453-0602K-20	SPACER	1	
040	992-10050-012	S.WASHER 5	2	
041	990-11050-652	SCREW 5X65	2	
042	992-01050-011	WASHER 5	2	
043	446-0072Z-20	CLEANER ELEMENT	1	
044	424-0072Z-20	AIR CLEANER CAP	1	
045	455-06622-90	CARBURETOR SET WYL212	1	
046	878-06620-20	THROTTLE WIRE FIXING PL	1	
047	402-06500-20	CARBURETOR GASKET	1	
048	431-06020-20	CLEANER GASKET	1	
050	223-06500-90	FUEL PIPE ASS'Y L=130	1	
051	680-00731-20	CLIP, 6.3 DIA.	1	
052	675-04042-80	PUMP FILTER BODY COMP.	1	
053	591-0650U-22	FUEL TANK	1	
054	595-00093-90	TANK CAP D ASS'Y ORANGE	1	
055	659-00801-20	COLLAR 5.8	2	
056	626-32550-20	TANK CAP CHAIN	1	
058	994-63050-185	HEX. HOLE BOLT 5X18PS	2	
059	614-25137-20	CABLE ADJUSTER	1	
060	991-01060-013	NUT 6	1	
061	560-07120-20	SWIVEL CAP	1	
078	700-03005-07	FUEL PIPE 3X5X70	1	
079	534-32710-20	RETURN GROMMET	1	

**H38-04 CH50EA(ST)/CH62EA(ST) ENGINE-2**



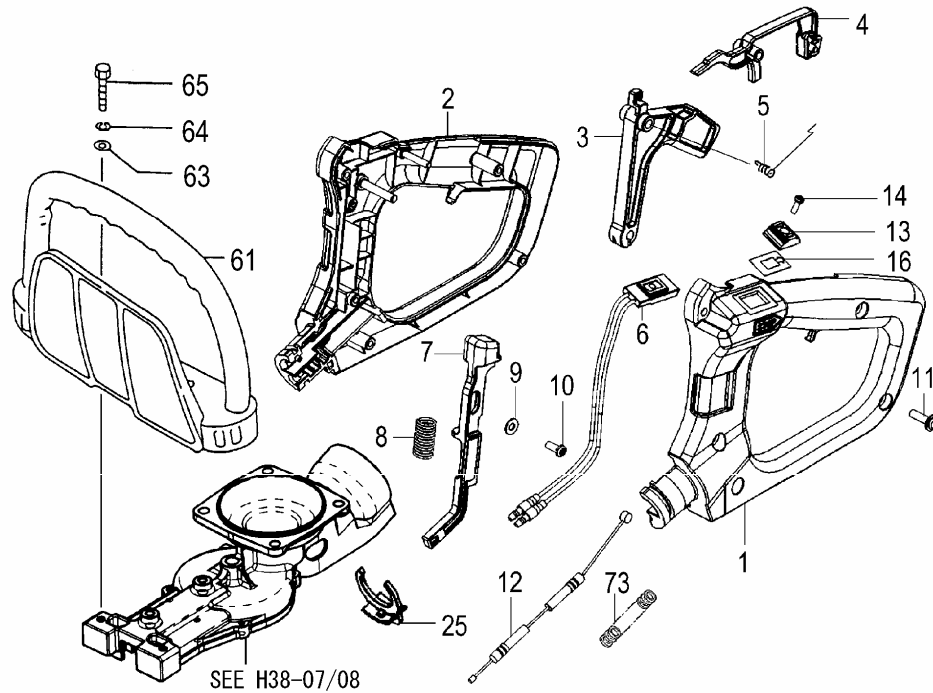
REF. NUMBER	PARTS NUMBER	DESCRIPTION	Q'TY	SERIAL NUMBER
003	738-06500-20	MUFFLER PROTECTOR	1	
004	737-06500-20	MUFFLER GASKET	1	
005	133-06500-20	HEAT SHIELD	1	
006	704-06511-91	MUFFLER SET	1	
007	992-01050-011	WASHER 5	2	
008	990-51050-503	HEX. HOLE BOLT 5X50	2	
017	203-0604A-20	GROMMET	1	
020	994-63040-184	HEX.HOLE BOLT 4X18PS	3	
047	277-0634F-91	CLUTCH ASS'Y	1	
061	990-72045-164	TAPPING SCREW 4.5X16	1	
062	994-25040-128	BOLT 4X12PS	2	
067	112-0651H-80	FAN CASE COMP.	1	
068	774-0651H-20	STARTER ROPE REEL	1	
069	759-0651H-20	CAM PLATE	1	
070	758-0651H-20	DUMPER SPRING	1	
071	780-06097-20	RECOIL SPRING	1	
072	839-03045-20	SET SCREW	1	
073	783-0651H-20	ROPE 3X890	1	
074	785-06410-20	STARTER HANDLE	1	
075	798-0651H-90	STARTER PULLEY ASS'Y	1	
076	132-06602-20	DEFLECTOR	1	
077	788-0651H-20	STARTER PAWL	2	
078	790-06097-20	STARTER PAWL SPRING	2	
079	993-55050-000	STOP RING E-5	2	

**H38-05 CH50EA(ST)/CH62EA(ST) CARBURETOR**



REF. NUMBER	PARTS NUMBER	DESCRIPTION	Q'TY	SERIAL NUMBER
002	575-25157-80	PUMP BODY COMP.	1	
003	442-25151-80	PRIMING PUMP COMP.	1	
004	476-25151-20	DIAPHRAGM COVER	1	
005	447-25108-20	PRIMING BODY	1	
006	474-25241-80	METERING DIAPHRAGM CO	1	
007	475-25153-20	DIAPHRAGM GASKET	1	
008	599-2000W-39	MAIN JET #39	1	
009	489-25100-20	STOP RING	1	
010	539-25120-20	SWIVEL	1	
012	550-25100-20	O-RING	1	
013	577-25100-20	PUMP GASKET	1	
014	576-25100-20	PUMP DIAPHRAGM	1	
015	548-25140-20	THROTTLE SET SCREW	2	
017	548-25151-20	SET SCREW	4	
201	578-25007-20	INLET SCREEN	1	

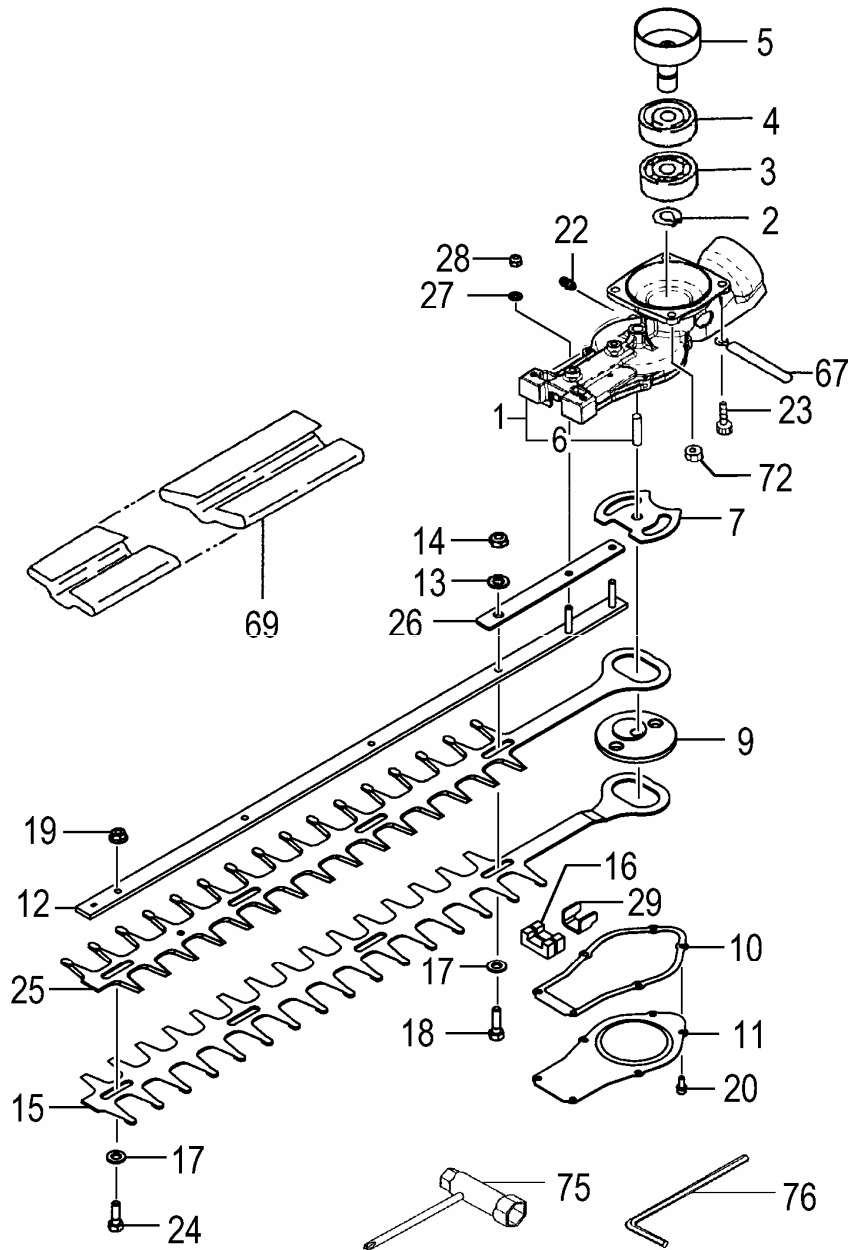
# H38-06 CH50EA(ST)/CH62EA(ST) HANDLE



REF. NUMBER	PARTS NUMBER	DESCRIPTION	Q'TY	SERIAL NUMBER
001	051-33290-20	HANDLE B	1	
002	050-33290-20	HANDLE A	1	
003	230-33290-20	THROTTLE LEVER	1	
004	231-33290-20	SAFETY LEVER	1	
005	232-33160-20	THROTTLE LEVER SPRING	1	
006	170-32465-80	STOP SWITCH COMP.	1	
007	233-33290-20	LOCK LEVER	1	
008	245-33290-20	SPRING	1	
009	992-01040-011	WASHER 4	1	
010	993-41040-101	SCREW 4X10	1	
011	990-72045-164	TAPPING SCREW 4.5X16	5	
012	885-33287-80	THROTTLE WIRE COMP.	1	
013	258-11650-20	BUTTON STOP	1	
014	994-31030-101	SCREW 3X10	1	
016	925-33160-20	STOP BUTTON MARK	1	
025	505-33196-20	CLIP BLK	1	
061	210-33160-22	FRONT HANDLE	1	
063	368-32057-20	BRAKE SHAFT WASHER	2	
064	992-10050-062	S.WASHER 5	2	
065	990-51050-403	HEX. HOLE BOLT 5X40	2	
073	164-07013-01	PROTECTION TUBE 130L	1	

H38-07

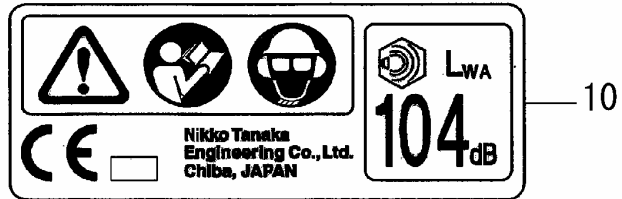
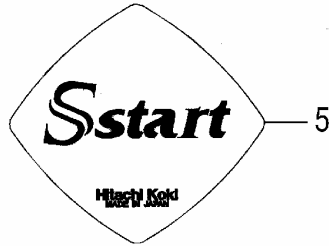
CH50EA(ST) GEAR CASE/BLADE(500L)



REF. NUMBER	PARTS NUMBER	DESCRIPTION	Q'TY	SERIAL NUMBER
001	300-73040-80	GEAR CASE COMP.	1	
002	993-50015-002	STOP RING C-15, OUTER	1	
003	999-61600-200	BALL BEARING #6002, 32MM	1	
004	999-61600-202	BALL BEARING #6002Z, 32MM	1	
005	288-33180-80	CLUTCH DRUM COMP.	1	
006	305-33160-20	GEAR SHAFT	1	
007	075-33287-20	GUIDE PLATE	1	
009	307-33287-20	GEAR 2	1	
010	303-33160-20	GEAR CASE GASKET	1	
011	630-33287-20	GEAR CASE COVER	1	
012	122-33287-80	CUTTER GUIDE 590	1	
013	992-01060-011	WASHER 6	1	
014	991-87060-001	NUT 6 UPS-P	1	
015	121-33287-20	CUTTER B	1	
016	085-33287-20	GREASE SEAL A	2	
017	129-33202-20	WASHER 7 BLACK	4	
018	124-32287-20	FIXING BOLT A M6	1	
019	991-82060-001	FLANGE NUT 6	3	
020	994-61040-104	HEX. HOLE BOLT 4X10S	6	
022	300-32250-80	GREASE NIPPLE COMP.	1	
023	994-61060-184	HEX. HOLE BOLT 6X18/S	2	
024	125-32287-20	CUTTER FIXING BOLT B	3	
025	120-33287-20	CUTTER A	1	
026	462-33287-20	SUPPORT PLATE	1	
027	992-00050-011	SMALL WASHER 5	2	
028	991-78050-010	NYLON LOCK NUT 5	2	
029	070-33287-20	HOLDING PLATE	1	
067	198-10246-80	CORD CLAMP COMP.	1	
069	138-33258-20	CUTTER COVER	1	
072	994-40060-011	SPRING NUT 6	2	
075	036-29331-50	COMBI. BOX SPANNER 10X1	1	
076	813-20000-20	HEX. WRENCH 4	1	



H38-09 CH50EA(ST)/CH62EA(ST) LABELS



REF. NUMBER	PARTS NUMBER	DESCRIPTION	Q'TY	SERIAL NUMBER
001	906-51600-21	NAME PLATE CH50EA(ST)	1	
002	906-51601-20	NAME PLATE CH62EA(ST)	1	
005	915-51700-21	STARTER MARK S·START H	1	
010	919-06620-22	CAUTION MARK	1	