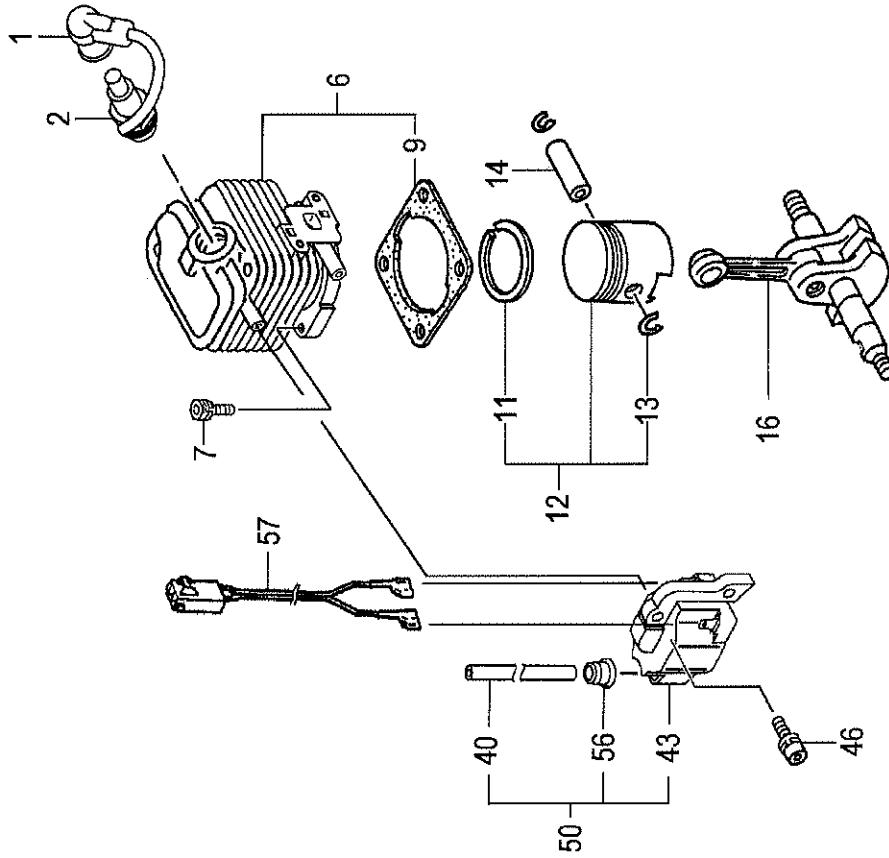


H43

CH55EPA(SM)

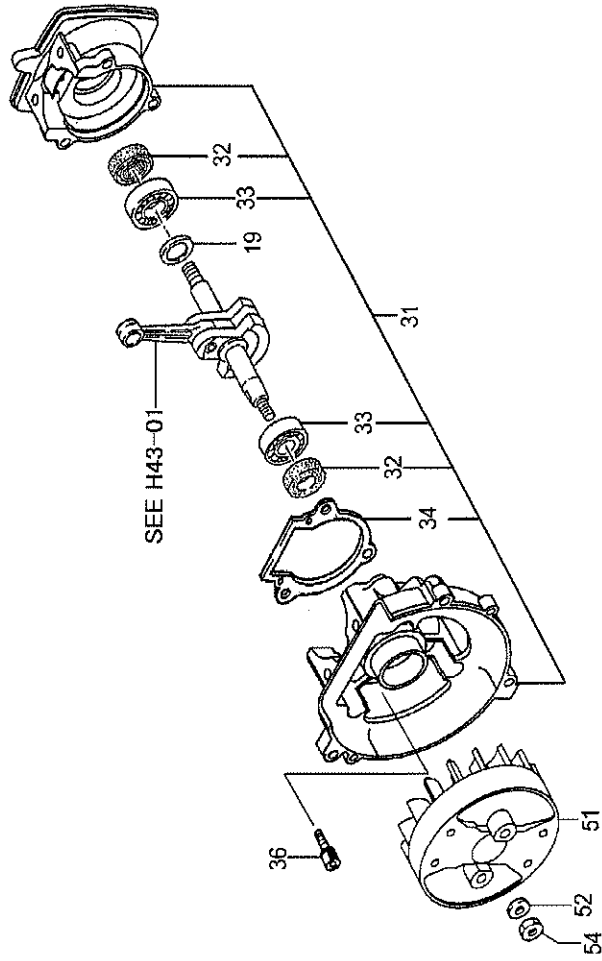
Serial No. :

H43-01 CH55EPA(SM) CYLINDER/PISTON/CRANK SHAFT



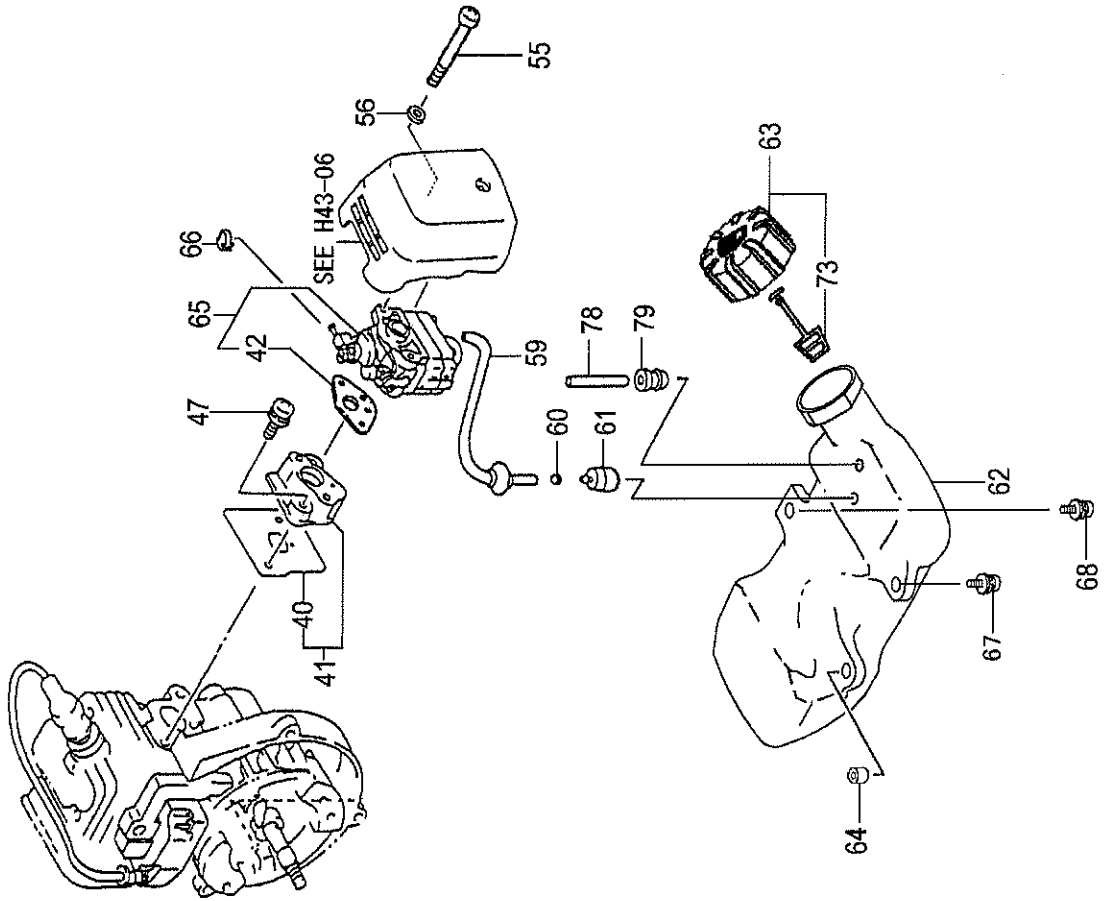
REF. NUMBER	PARTS NUMBER	DESCRIPTION	Q'TY	SERIAL NUMBER
001	668-746	SPARK PLUG CAP ASSY	1	
002	668-576	SPARK PLUG, RCJ8Y	1	
006	668-548	CYLINDER SET	1	
007	668-458	HEX.HOLE BOLT M5X18/S	2	
009	668-570	CYLINDER GASKET	1	
011	668-611	PISTON RING	1	
012	668-586	PISTON SET	1	
013	668-459	PISTON PIN CIRCLIP	2	
014	668-601	PISTON PIN	1	
016	668-621	CRANK SHAFT COMP.	1	
040	668-788	HIGH TENSION CORD 140L	1	
043	668-459	IGNITION COIL COMP.	1	
046	668-468	HEX.HOLE BOLT 4X15/PS	2	
050	668-766	IGNITION COIL ASSY	1	
056	668-460	RUBBER CAP	1	
057	668-797	REED WIRE ASSY	1	

H43-02 CH55EPA(SM) CRANK CASE



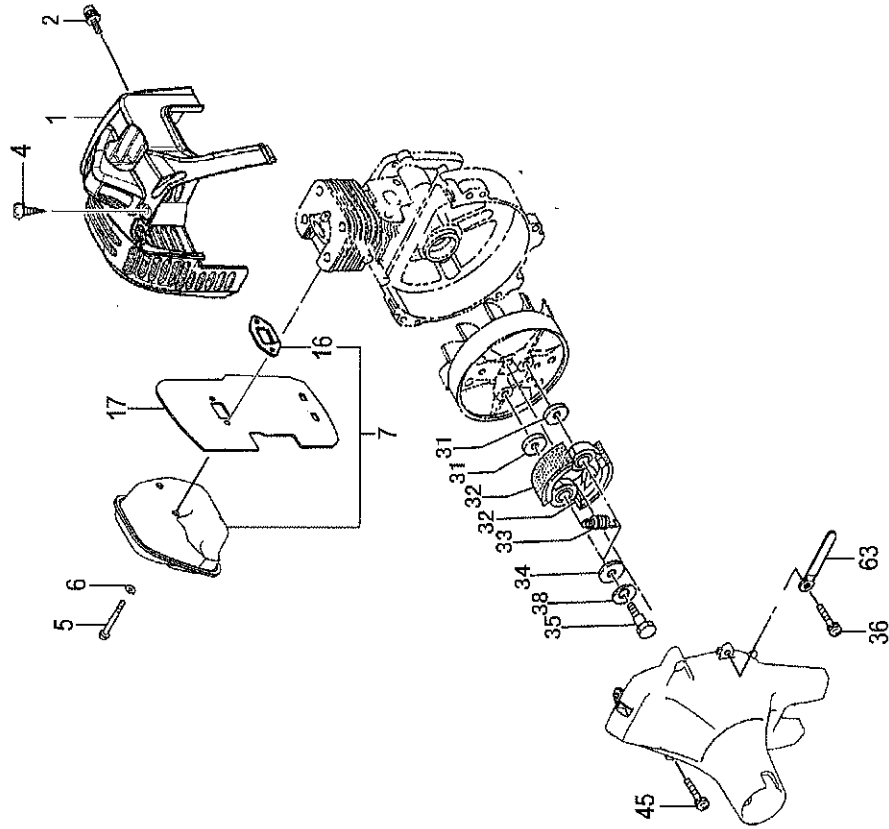
REF. NUMBER	PARTS NUMBER	DESCRIPTION	Q'TY	SERIAL NUMBER
019	668-460	GEAR SHAFT SHIM 0.20	V	
019	668-460	GEAR SHAFT SHIM 0.30	V	
031	668-658	CRANK CASE ASS'Y	1	
032	668-460	OIL SEAL TB 12227	2	
033	669-553	BALL BEARING 6001 C3	2	
034	668-671	CRANK CASE GASKET	1	
036	668-458	HEX.HOLE BOLT M5X18/S	3	
051	668-737	MAGNETO ROTOR COMP.	1	
052	668-461	WASHER M8	1	
054	668-461	HEX.NUT M8	1	

H43-03 CH55EPA(SM) ENGINE-1



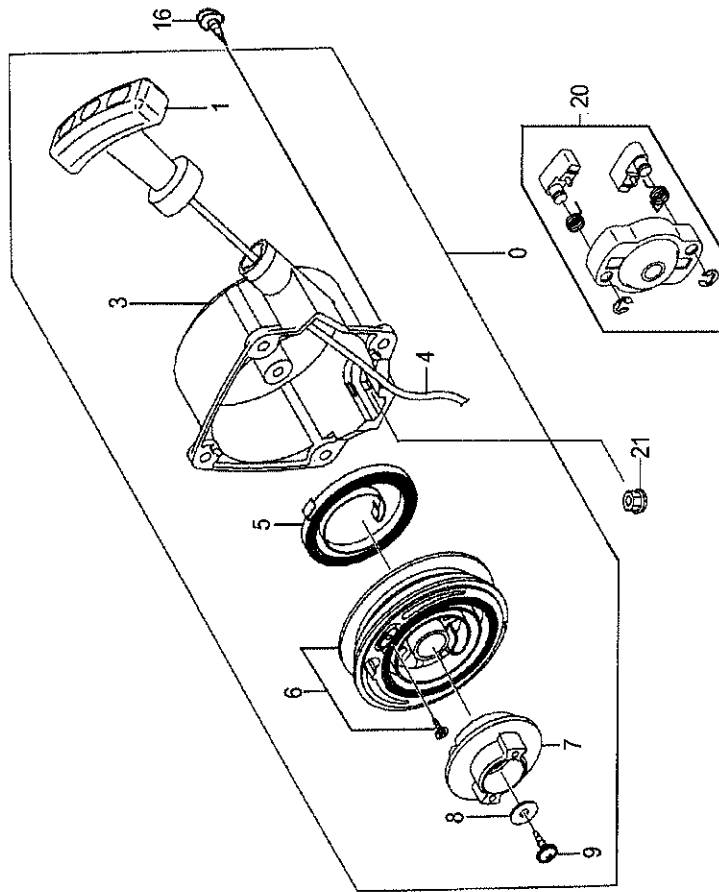
REF. NUMBER	PARTS NUMBER	DESCRIPTION	Q'TY	SERIAL NUMBER
040	668-989	INLET MANIFOLD GASKET	1	
041	668-991	CARB INSULATOR SET	1	
042	668-461	CARBURETOR GASKET	1	
047	669-551	HEX.HOLE BOLT 5X22/WS	2	
055	669-535	SCREW 5X60/S	2	
056	668-466	WASHER 5	2	
059	668-817	SHEELD TUBE	1	
060	668-461	CLIP,6.3 DIA.	1	
061	668-462	PUMP FILTER BODY COMP	1	
062	669-159	TANK, OR	1	
063	668-504	TANK CAP ASSY	1	
064	669-224	COLLAR 5.8	3	
065	669-051	CARBURETOR SET WYL182	1	
066	668-462	SWIVEL CAP	1	
067	669-550	HEX.HOLE BOLT 5X16/PS	2	
068	669-551	SCREW 5X20WS	1	
073	668-462	TANK CAP CHAIN	1	
078	668-488	FUEL PIPE 3X5X80	1	
079	668-462	RETURN GROMMET	1	

H43-04 CH55EPA(SM) ENGINE-2



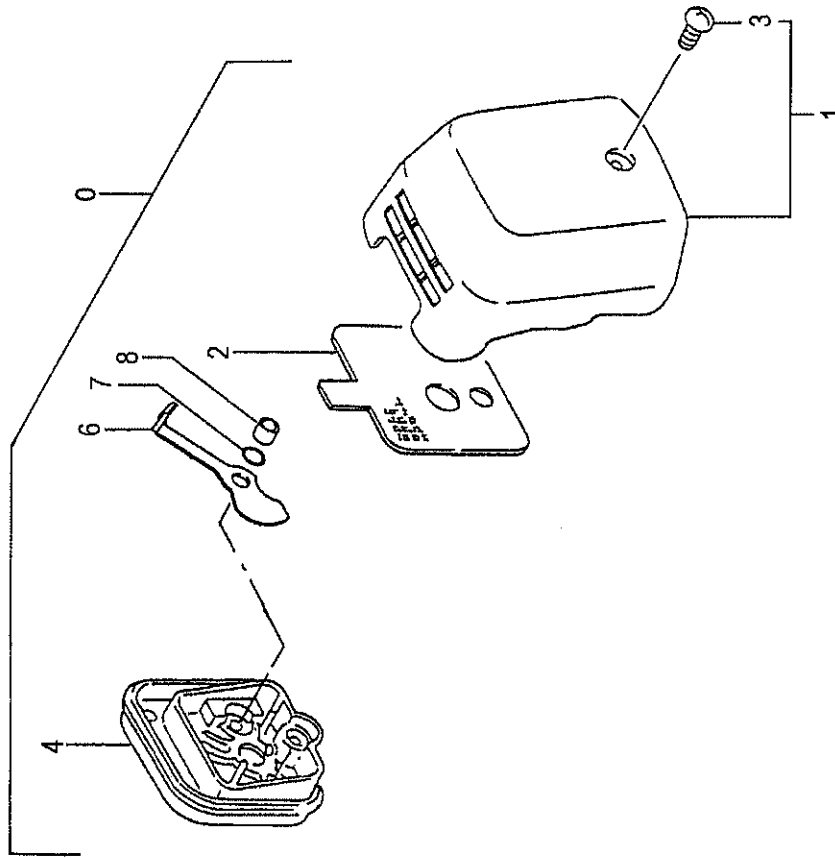
REF. NUMBER	PARTS NUMBER	DESCRIPTION	Q'TY	SERIAL NUMBER
001	669-2809	MUFFLER PROTECTOR BLACK	1	
002	669-5371	SCREW 4X15PS	1	
004	668-4631	TAPPING SCREW D4.5X12	1	
005	668-5111	HEX. SOCKET HD. BOLT M5X5	2	
006	668-4911	WASHER M5	2	
007	669-2481	MUFFLER SET	1	
016	669-2741	MUFFLER GASKET	1	
017	668-7251	HEAT SHIELD	1	
031	668-4641	CLUTCH WASHER B	2	
032	668-8611	CLUTCH SHOE COMP., T-16	2	
033	668-9431	CLUTCH SPRING	1	
034	668-9521	CLUTCH PLATE A.0.3	2	
035	668-9621	STEP BOLT	2	
036	668-4641	HEX.HOLE BOLT M5X18/WS	2	
038	668-4641	BENT WASHER 8	2	
045	668-4971	HEX.HOLE BOLT M5X30/WS	1	
063	668-801	CORD CLAMP COMP.	1	

H43-05 CH55EPA(SM) RECOIL STARTER

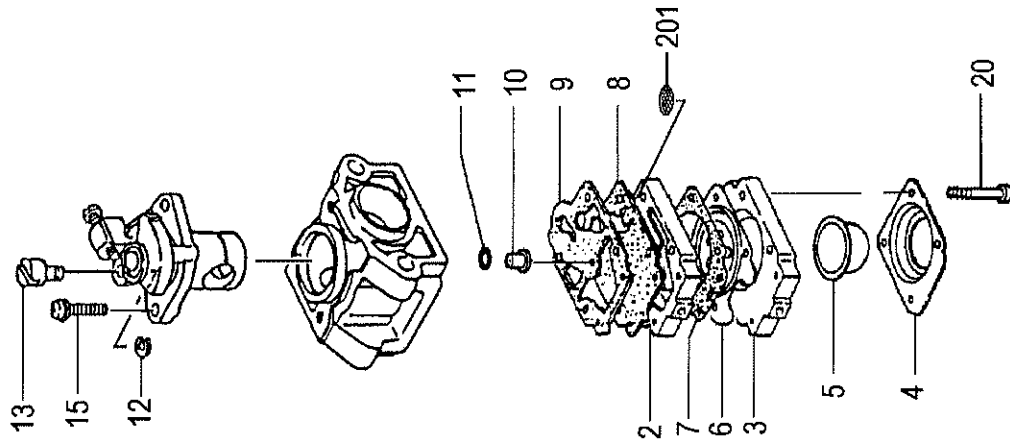


REF. NUMBER	PARTS NUMBER	DESCRIPTION	QTY	SERIAL NUMBER
000	669-298	RECOIL STARTER BODY ASS'Y	1	
001	669-324	STARTER HANDLE	1	
003	669-303	RECOIL STARTER BODY COMP	1	
004	669-317	ROPE 2.6X830	1	
005	669-313	RECOIL SPRING	1	
006	669-310	SPRING CASE ASSY	1	
007	669-308	STARTER ROPE REEL	1	
008	668-794	SPECIAL WASHER 5.2X15	1	
009	668-527	TAPPING SCREW D5X14	1	
016	669-550	HEX. HOLE BOLT 4X18WS	4	
020	669-340	STARTER PULLEY ASS'Y	1	
021	669-516	FLUNGE NUT 5	1	

H43-06 CH55EPA(SM) AIR CLEANER

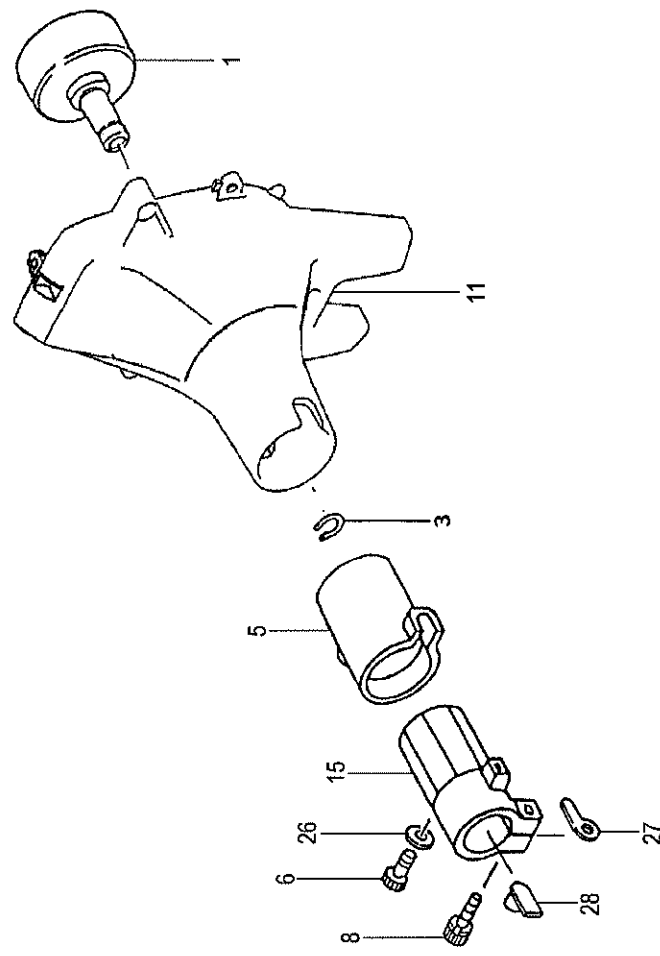


REF. NUMBER	PARTS NUMBER	DESCRIPTION	Q'TY	SERIAL NUMBER
000	669-004	CLEANER ASSY	1	
001	669-039	CLEANER COVER SET	1	
002	668-465	AIR CLEANER ELEMENT	1	
003	668-973	SPECIAL SCREW	1	
004	668-465	CLEANER BODY COMP.	1	
006	669-609	CHOKE VALVE COMP.	1	
007	668-465	WAVE WASHER 8	1	
008	668-465	COLLAR 8	1	



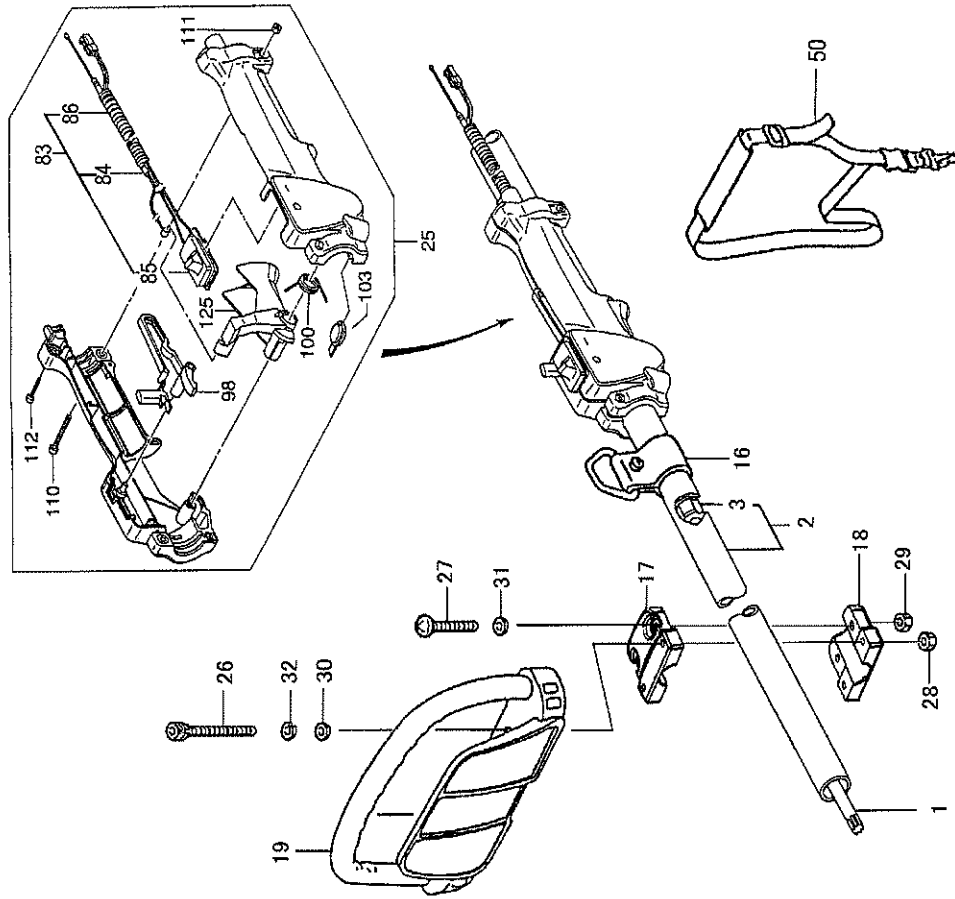
REF. NUMBER	PARTS NUMBER	DESCRIPTION	QTY	SERIAL NUMBER
002	668-487	PUMP BODY COMP.	1	
003	668-468	PRIMING PUMP COMP.	1	
004	668-468	DIAPHRAGM COVER	1	
005	668-468	PRIMING BODY	1	
006	669-083	METERING DIAPHRAGM CO	1	
007	668-469	DIAPHRAGM GASKET	1	
008	668-469	PUMP DIAPHRAGM	1	
009	669-145	PUMP GASKET	1	
010	669-184	MAIN JET #38	1	
011	668-469	O-RING	1	
012	668-469	STOP RING	1	
013	668-469	SWIVEL	1	
015	668-469	THROTTLE SET SCREW	2	
020	668-469	SET SCREW	4	
201	668-470	INLET SCREEN	1	

H43-08 CH55EPA(SM) FAN CASE



REF. NUMBER	PARTS NUMBER	DESCRIPTION	Q'TY	SERIAL NUMBER
001	668-8599	CLUTCH SHAFT COMP.	1	
003	668-4664	STOP RING C-12 OUTER	1	
005	669-1839	ANTI-VIBE RUBBER	1	
006	669-5046	HEX. HOLE BOLT 5X16	1	
008	668-4709	HEX.HOLE BOLT M5X25/S	1	
011	668-7029	FAN CASE, OR	1	
015	668-9651	PIPE HOLDER, TPE	1	
026	668-4918	WASHER M5	1	
027	668-9159	GEAR CASE WASHER	1	
028	668-9664	METAL FITTING	1	

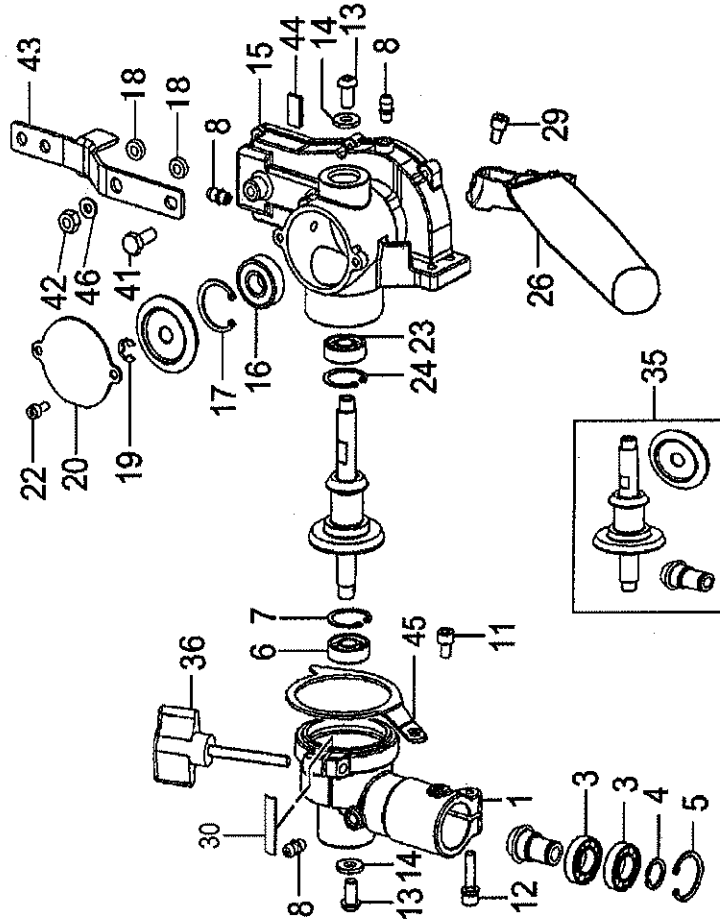
H43-09 CH55EPA(SM) OPERATION PIPE



REF. NUMBER	PARTS NUMBER	DESCRIPTION	Q'TY	SERIAL NUMBER
001	668-943	DRIVE SHAFT 633L	1	
002	668-930	DRIVE SHAFT PIPE 600L	1	
003	668-483	BUSH ASS'Y	2	
016	668-927	LIFTING METAL ASS'Y	1	
017	668-810	BRACKET A	1	
018	668-810	BRACKET B	1	
019	668-809	FRONT HANDLE	1	
025	669-376	THROTTLE LEVER ASS'Y	1	
026	669-505	HEX. HOLE BOLT 5X55	2	
027	668-471	HEX.HOLE BUTTON SCREW 6X25	2	
028	668-507	NUT M5 (BLACK)	2	
029	668-483	HEX.NUT 6	2	
030	668-491	WASHER M5	2	
031	669-519	WASHER 6	2	
032	668-483	SPRING WASHER 5	2	
050	669-286	SHOULDER BELT ASS'Y	1	
083	669-398	THROTTLE WIRE COMP.	1	
084	669-402	THROTTLE WIRE 4T	1	
085	668-745	STOP BUTTON COMP.	1	
086	668-752	PROTECTION TUBE 7X145L	1	
098	668-472	SAFETY LEVER	1	
100	668-472	RETURN SPRING	1	
103	668-472	BLIND PLUG	1	
110	668-480	SCREW M5X20	2	
111	668-472	CONTAL NUT 5	2	
112	668-472	SCREW M4X20 (BLACK)	4	
125	668-480	THROTTLE LEVER	1	

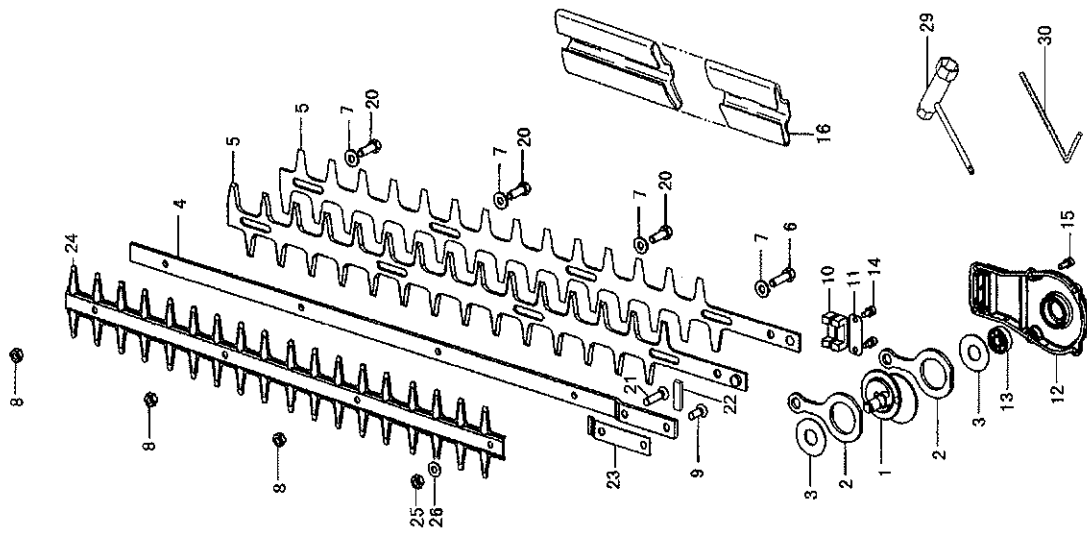
H43-10

CH55EPA(SM) GEAR CASE



REF. NUMBER	PARTS NUMBER	DESCRIPTION	QTY	SERIAL NUMBER
001	668-865	GEAR CASE A, 24 DIA	1	
003	669-558	BALL BEARING 6901ZZ, 24MM/OD	2	
004	669-530	STOP RING S-12, OUTER	1	
005	668-473	STOP RING C-24, INNER	1	
006	669-554	BALL BEARING 608 ZZ C3	1	
007	669-529	STOP RING C-22, INNER	1	
008	668-864	GREASE NIPPLE COMP.	3	
011	669-504	HEX. HOLE BOLT 5X10	1	
012	668-470	HEX. HOLE BOLT M5X25/S	1	
013	669-507	HEX. HOLE BOLT 6X12	2	
014	668-482	SPECIAL WASHER B	2	
015	669-598	GEAR CASE B	1	
016	669-552	BALL BEARING #6000 2RS C3	1	
017	669-529	STOP RING C-26, INNER	1	
018	668-482	SPECIAL WASHER B	2	
019	669-531	STOP RING E-6	1	
020	668-916	GEAR CASE COVER A	1	
022	669-503	HEX HOLE BOLT 4X8	2	
023	669-554	BALL BEARING 608 ZZ C3	1	
024	669-529	STOP RING C-22, INNER	1	
026	668-808	HANDLE	1	
029	669-507	HEX HOLE BUTTON SCREW 6X1	2	
030	668-666	GREASE SEALED	1	
035	668-889	GEAR SET	1	
036	669-120	HANDLE KNOB A COMP.	1	
041	669-501	PLUS BOLT 6X14	1	
042	669-517	NUT 6 UPS-P	1	
043	669-074	SUPPORT PLATE	1	
044	668-665	GREASE SEAL B	1	
045	668-815	ANGLE LIMITER	1	
046	668-463	WASHER 6	1	

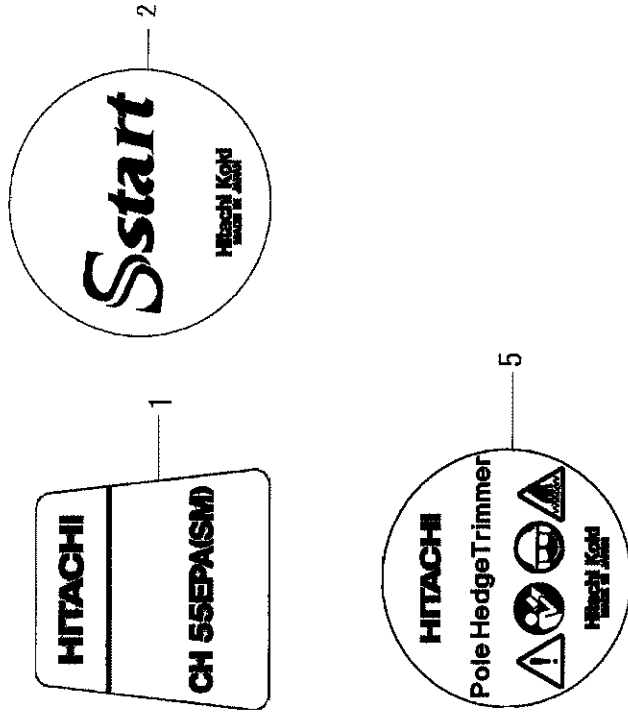
H43-11 CH55EPA(SM) BLADE



REF. NUMBER	PARTS NUMBER	DESCRIPTION	QTY	SERIAL NUMBER
001	668-679	CAM SHAFT COMP.	1	
002	668-680	CAM ROD	2	
003	668-661	CAM-ROD GUIDE PLATE	2	
004	668-712	CUTTER GUIDE 625.5MM	1	
005	668-707	CUTTER	2	
006	668-715	FIXING BOLT A M6	1	
007	668-718	WASHER 7 BLACK	4	
008	669-517	FLANGE NUT 6	3	
009	669-507	HEX HOLE FLUSH SCREW	1	
010	668-664	GREASE SEAL A	2	
011	668-682	CAM-ROD HOLDING PLATE	1	
012	668-917	GEAR CASE COVER B	1	
013	669-554	BALL BEARING 608 ZZ C3	1	
014	669-548	HEX. HOLE BOLT 4X10S	2	
015	668-459	HEX.HOLE BOLT M4X12/S	6	
016	668-730	CUTTER COVER	1	
020	668-716	CUTTER FIXING BOLT B	3	
021	669-507	HEX. HOLE FLUSH BOLT 6X	1	
022	668-666	GREASE SEAL B	1	
023	668-863	SPACER	1	
024	668-728	PROTECTION PLATE	1	
025	669-517	NUT 6 UPS-P	1	
026	668-463	WASHER 6	1	
029	668-599	COMBI. BOX SPANNER 10X	1	
030	668-481	HEX. BAR WRENCH 4MM	1	

H43-11

CH55EPA(SM) LABELS



REF. NUMBER	PARTS NUMBER	DESCRIPTION	Q'TY	SERIAL NUMBER
001	669-474	NAME PLATE CH55EPA(SM)	1	
002	669-447	STARTER MARK	1	
005	669-455	CAUTION MARK HITACHI	1	