

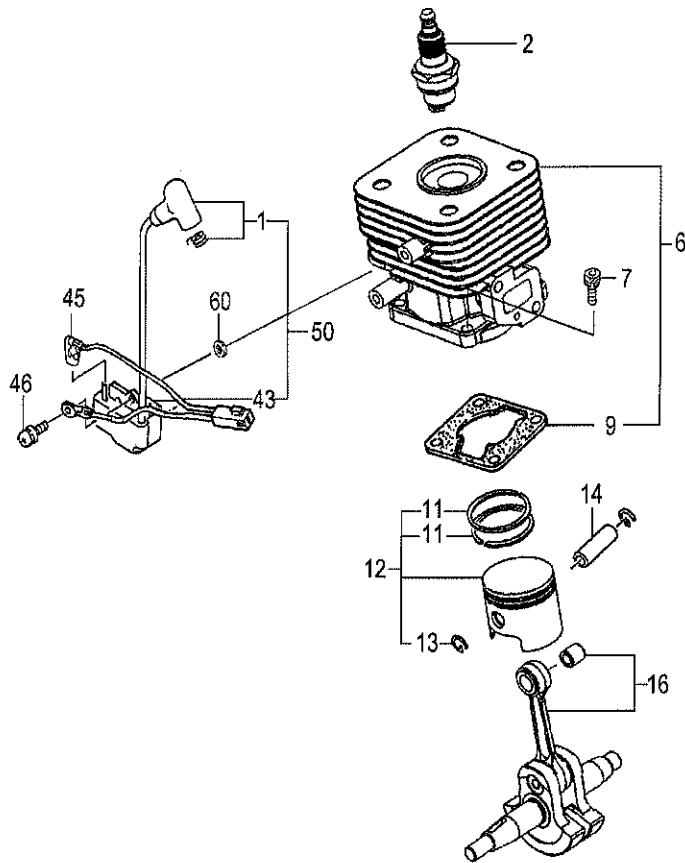
# **H52**

**(For EX)**

**CH55EPC(SP)**

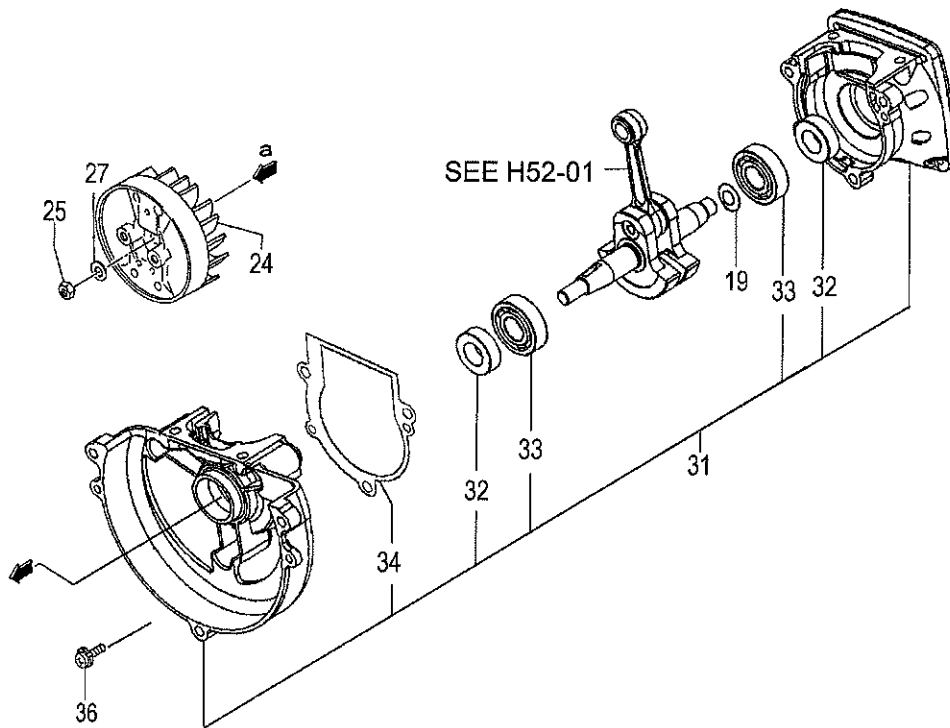
**Serial No.**

# H52-01 CYLINDER/PISTON/CRANK SHAFT



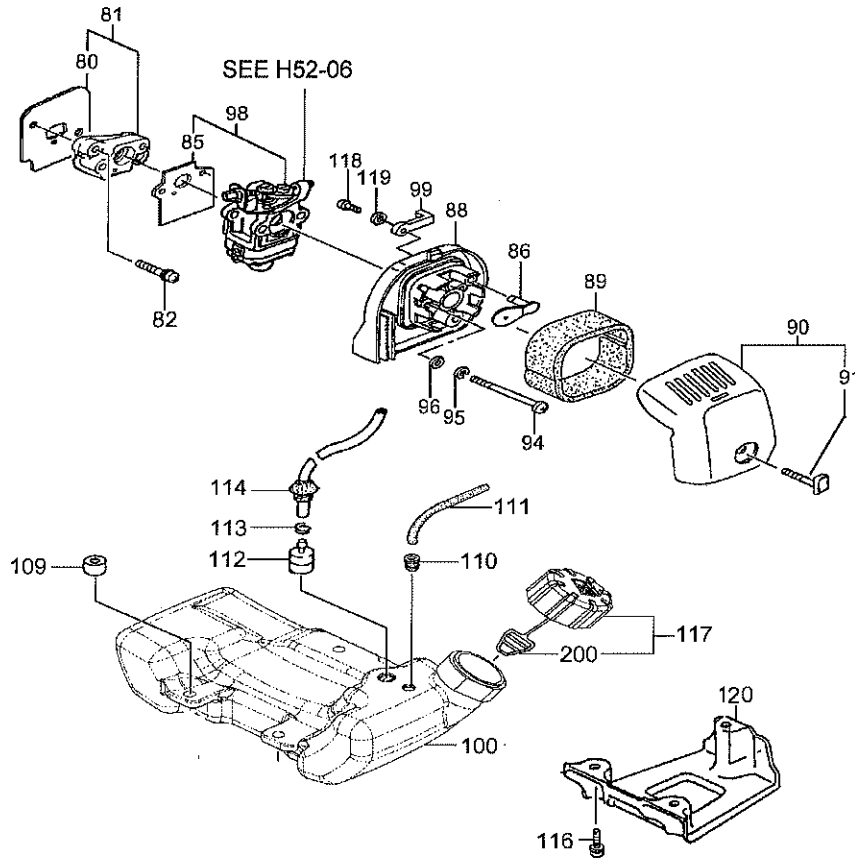
REF. NUMBER	PARTS NUMBER	DESCRIPTION	Q'TY	SERIAL NUMBER
<b>H52-01 CYLINDER/PISTON/CRANK SHAFT</b>				
001	668-4894	PLUG CAP ASS'Y	1	
002	668-5767	SPARK PLUG BMR6A	1	
006	668-5495	CYLINDER SET	1	
007	668-4586	HEX.HOLE BOLT M5X18/S	4	
009	668-4896	CYLINDER GASKET	1	
011	668-6121	PISTON RING	2	
012	668-5902	PISTON SET	1	
013	668-4590	PISTON PIN CIRCLIP	2	
014	668-4591	PISTON PIN	1	
016	668-6219	CRANK SHAFT COMP.	1	
043	668-7687	IGNITION COIL COMP.	1	
045	668-7965	LEAD WIRE ASS'Y	1	
046	668-4599	HEX.HOLE BOLT M4X18/WS	2	
050	668-7688	IGNITION COIL ASS'Y MB-65	1	
060	668-4600	WASHER	2	

# H52-02 CRANK CASE



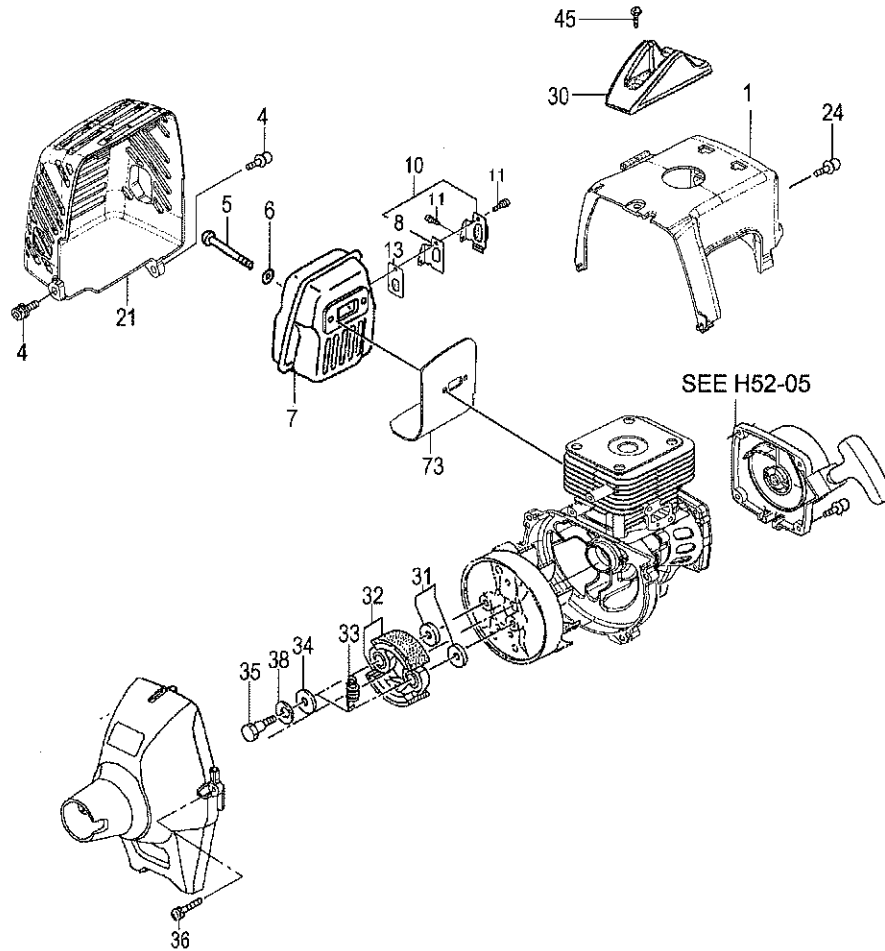
REF. NUMBER	PARTS NUMBER	DESCRIPTION	Q'TY	SERIAL NUMBER
<b>H52-02 CRANK CASE</b>				
019	668-4604	GEAR SHAFT SHIM 0.20	V	
019	668-4605	GEAR SHAFT SHIM 0.30	V	
024	668-7385	MAGUET RITIR COMB. FW-	1	
025	668-4612	HEX.NUT M8	1	
027	668-4611	WASHER M8	1	
031	668-4905	CRANK CASE ASS'Y	1	
032	668-4607	OIL SEAL TB 12227	2	
033	668-4608	BALL BEARING 6001 C3	2	
034	668-4904	CRANK CASE GASKET	1	
036	668-4903	HEX.HOLE BOLT M5X16/S	4	

# H52-03 ENGINE-1



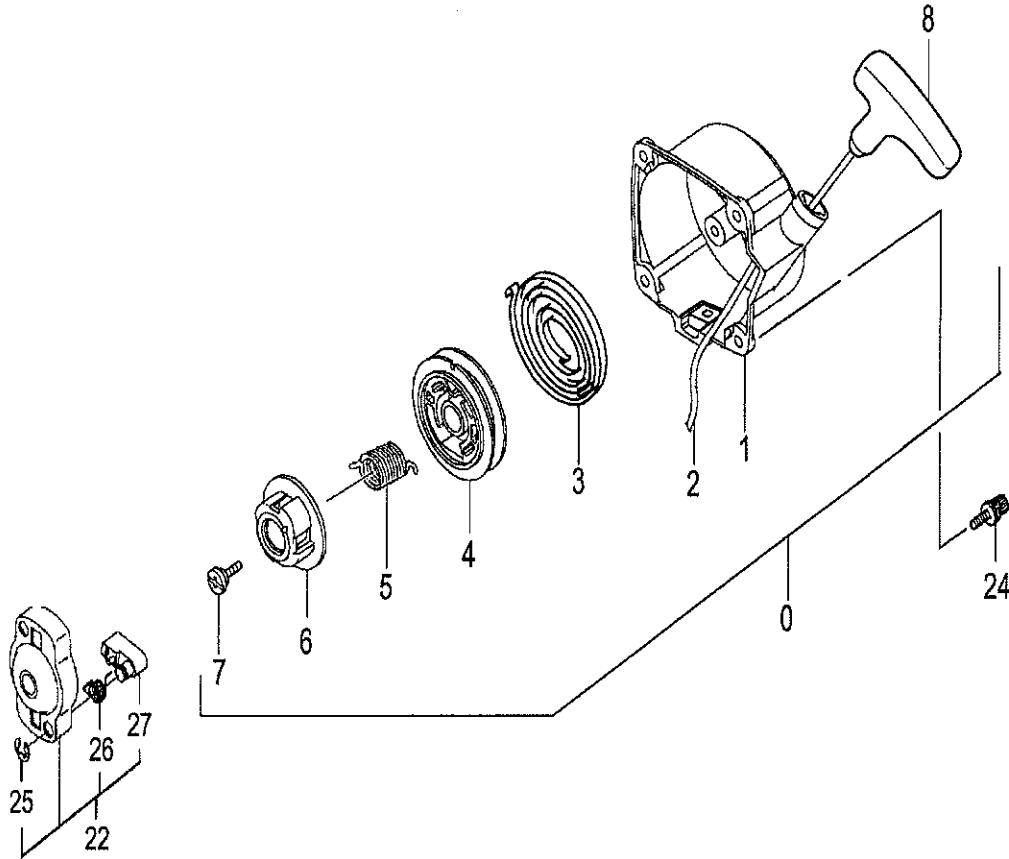
REF. NUMBER	PARTS NUMBER	DESCRIPTION	Q'TY	SERIAL NUMBER
<b>H52-03 ENGINE-1</b>				
080	668-9895	INLET MANIFOLD GASKET	1	
081	668-9972	INSULATOR SET	1	
082	668-4617	HEX. HOLE BOLT 5X25/WS	2	
085	668-4616	CARBURETOR GASKET	1	
086	669-1276	CHOKE PLATE 2.0	1	
088	669-0120	CLEANER BODY COMP.	1	
089	669-0365	CLEANER SPONGE	1	
090	669-0402	CLEANER COVER ASS'Y	1	
091	669-0384	COVER FIXING BOLT	1	
094	669-4914	SCREW 5X55	2	
095	668-4662	S.WASHER 5	2	
096	668-4864	SMALL WASHER 5	2	
098	669-0522	CABURETOR SET WYJ-463	1	
099	669-1239	CHOKE CONTROL LEVER	1	
100	669-1602	TANK WHT	1	
109	668-4623	COLLAR C	3	
110	668-4627	RETURN GROMMET	1	
111	668-4626	FUEL PIPE 3X5X65	1	
112	668-4620	PUMP FILTER BODY COMP.	1	
113	668-4619	CLIP, 6.3 DIA.	1	
114	668-4618	FUEL PIPE ASS'Y	1	
116	668-4634	HEX.HOLE BOLT 5X20/PS	3	
117	668-5049	TANK CAP ASS'Y	1	
118	669-5280	TAP SCREW 4X14 P	1	
119	668-5070	BOLT WASHER M4	1	
120	#NV	#NV	1	
200	668-4625	TANK CAP CHAIN	1	

# H52-04 ENGINE-2



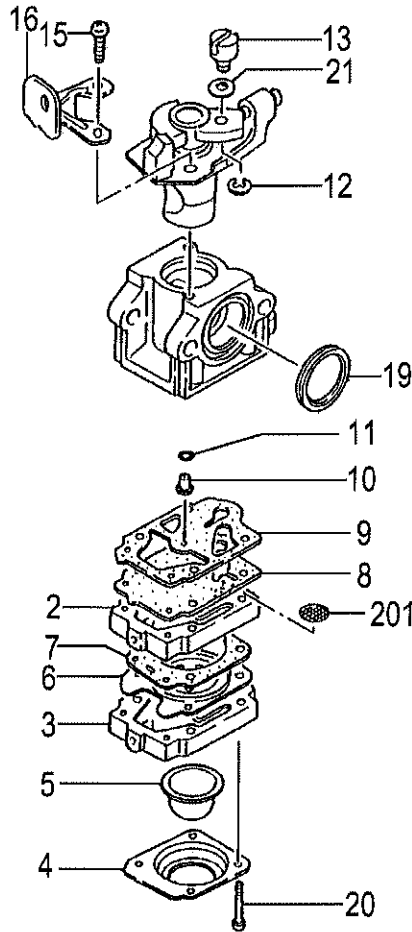
REF. NUMBER	PARTS NUMBER	DESCRIPTION	Q'TY	SERIAL NUMBER
<b>H52-04 ENGINE-2</b>				
001	668-5693	CYLINDER COVER (BLK)	1	
004	669-5504	HEX.HOLE BOLT 5X16/PS	2	
005	669-5067	HEX.HOLE BOLT 6X65	2	
006	668-4639	WASHER 6	2	
007	669-2576	MUFFLER COMP.	1	
008	669-2888	TAIL PIPE GASKET	1	
010	669-2715	TAIL PIPE SET	1	
011	668-4651	SCREW M4X8/WS	2	
013	669-2701	SPARK ARRESTER	1	
021	669-2818	MUFFLER PROTECTOR BLK	1	
024	669-5508	HEX. HOLE BOLT 4X18WS	2	
030	668-8344	PLUG COVER	1	
031	668-4642	CLUTCH WASHER B	2	
032	668-4643	CLUTCH SHOE COMP.	2	
033	668-4644	CLUTCH SPRING	1	
034	668-4645	CLUTCH PLATE A 0.5	2	
035	668-4646	STEP BOLT	2	
036	668-4634	HEX.HOLE BOLT 5X20/PS	3	
038	668-4648	BENT WASHER 8	2	
045	668-4636	TAPPING SCREW D4.5X16	1	
073	668-7265	HEAT SHIELD	1	

# H52-05 RECOIL STARTER



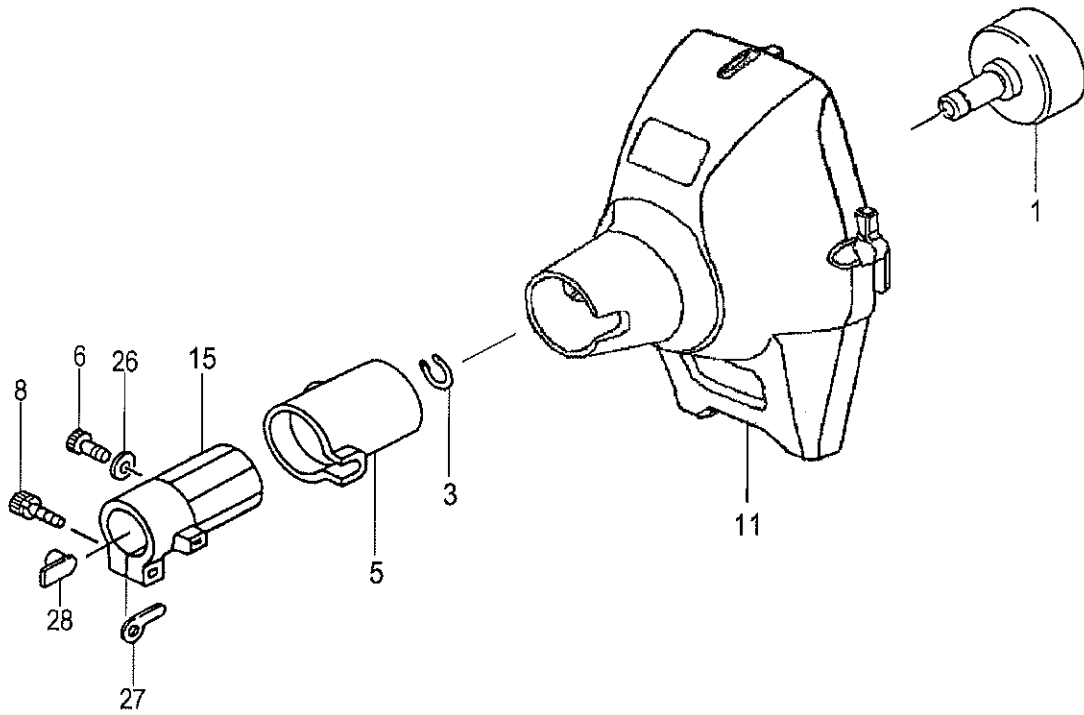
REF. NUMBER	PARTS NUMBER	DESCRIPTION	Q'TY	SERIAL NUMBER
<b>H52-05 RECOIL STARTER</b>				
000	668-4672	RECOIL STARTER BODY ASS'Y	1	
001	668-4673	RECOIL STARTER BODY COMP.	1	
002	668-4674	STARTER ROPE 3.5X860	1	
003	668-4675	RECOIL SPRING	1	
004	668-4676	STARTER ROPE REEL	1	
005	668-4677	DUMPER SPRING	1	
006	668-4678	CAM PLATE	1	
007	668-4679	SET SCREW	1	
008	668-4680	STARTER HANDLE	1	
022	668-4681	STARTER PULLEY ASS'Y	1	
024	669-5508	HEX. HOLE BOLT 4X18WS	2	
025	668-4683	STOP RING E-5	2	
026	668-4684	STARTER PAWL SPRING	2	
027	668-4685	STARTER PAWL	2	

# H52-06 CARBURETOR



REF. NUMBER	PARTS NUMBER	DESCRIPTION	Q'TY	SERIAL NUMBER
<b>H52-06 CARBURETOR</b>				
002	668-4879	PUMP BODY COMP.	1	
003	668-4687	PRIMING PUMP COMP.	1	
004	668-4688	DIAPHRAGM COVER	1	
005	668-4689	PRIMING BODY	1	
006	668-4690	METERING DIAPHRAGM COMP.	1	
007	668-4691	DIAPHRAGM GASKET	1	
008	668-4693	PUMP DIAPHRAGM	1	
009	668-4692	PUMP GASKET	1	
010	669-1874	LONG MAIN JET #38	1	
011	668-4695	O-RING	1	
012	668-4696	STOP RING	1	
013	668-4697	SWIVEL	1	
015	668-4870	THROTTLE SET SCREW	2	
016	668-4873	CABLE ADJUSTER STAY	1	
019	668-4875	CLEANER PACKING	1	
020	668-4699	SET SCREW	4	
021	668-4874	THRUST WASHER	1	
201	668-4700	INLET SCREEN	1	

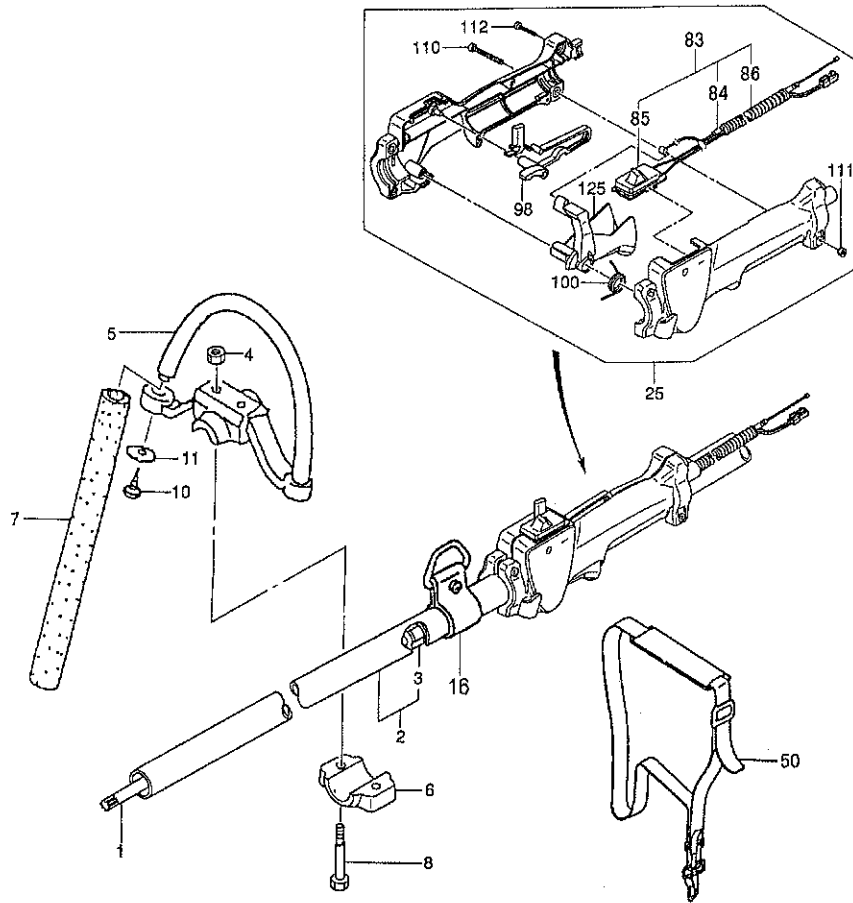
# H52-07 FANCASE



REF. NUMBER	PARTS NUMBER	DESCRIPTION	Q'TY	SERIAL NUMBER
<b>H52-07 FANCASE</b>				
001	668-8580	CLUTCH DRUM COMP.	1	
003	668-4664	STOP RING C-12 OUTER	1	
005	669-1823	CUSHION RUBBER	1	
006	669-5046	HEX. HOLE BOLT 5X16	1	
008	668-4709	HEX.HOLE BOLT M5X25/S	1	
011	668-6959	FAN CASE COMP.	1	
015	668-9651	PIPE HOLDER, TPE	1	
026	668-4918	WASHER M5	1	
027	668-9159	GEAR CASE WASHER	1	
028	668-9664	METAL FITTING	1	

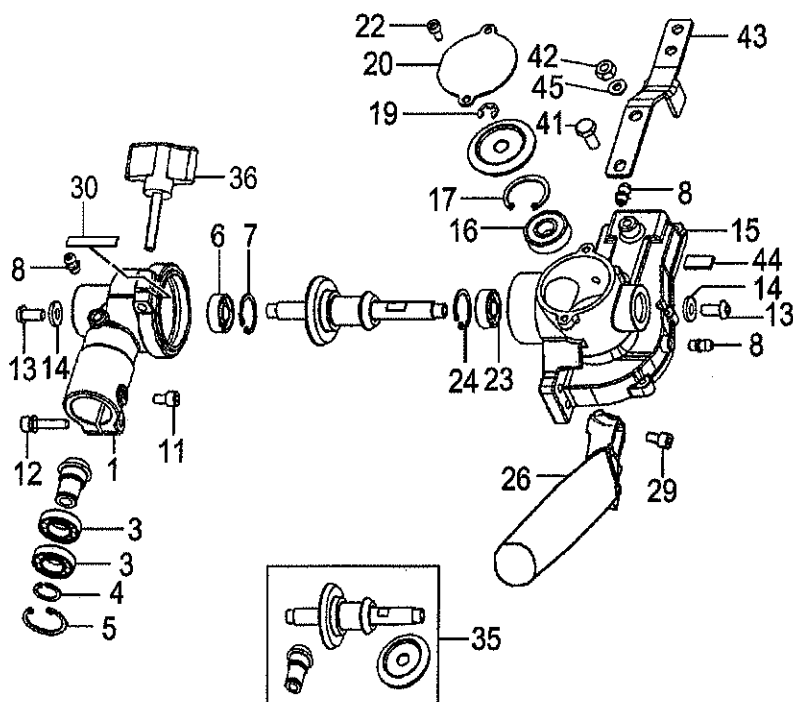


# H52-08 OPERATION PIPE



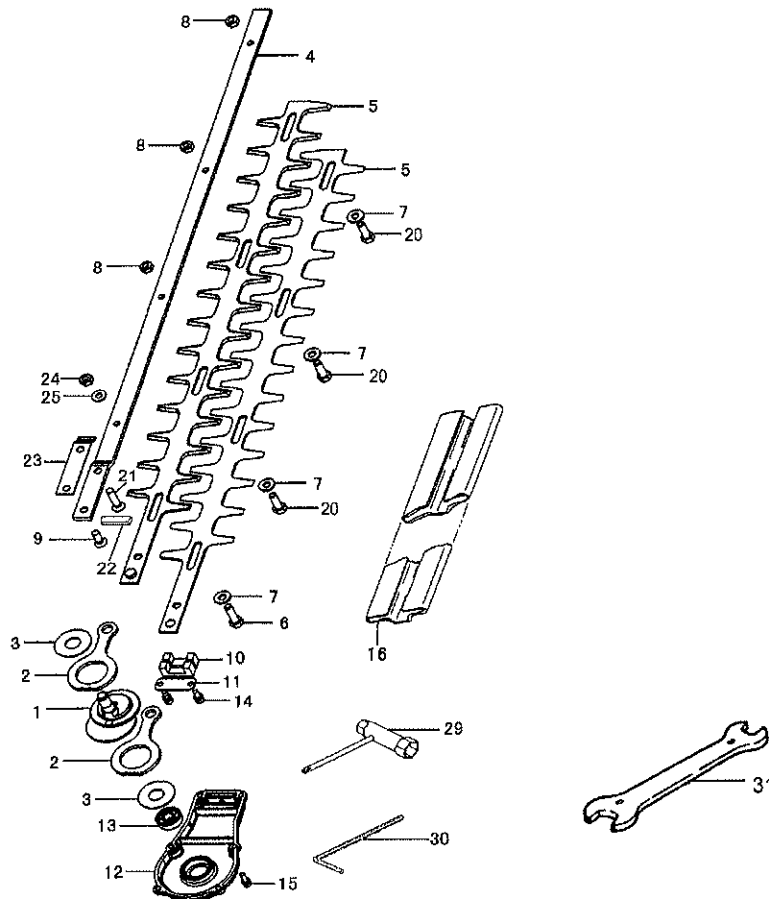
REF. NUMBER	PARTS NUMBER	DESCRIPTION	Q'TY	SERIAL NUMBER
<b>H52-08 OPERATION PIPE</b>				
001	668-9470	DRIVE SHAFT, 1483L	1	
002	668-9386	DRIVE SHAFT PIPE COMP.	1	
003	668-4831	BUSH ASS'Y	5	
004	668-4835	HEX.NUT 6	2	
005	669-1046	LOOP HANDLE, 24 DIA.,BLACK	1	
006	669-1134	HANDLE BRACKET A	1	
007	669-1098	HANDLE GRIP	1	
008	668-4838	BOLT 6X43/P (BLACK)	2	
010	669-5255	TAPPING SCREW 5X20	1	
011	668-9681	BRAKE SHAFT WASHER	1	
016	668-9277	LIFTING METAL ASS'Y	1	
025	669-6521	THROTTLE LEVER ASS'Y 24	1	
050	669-2867	SHOULDER BELT ASS'Y	1	
083	669-3984	THROTTLE WIRE COMP	1	
084	669-4026	THROTTLE WIRE 4T	1	
085	668-7463	STOP SWITCH COMP	1	
086	668-7526	PROTECTION TUBE 7X175	1	
098	668-4721	SAFETY LEVER	1	
100	668-4722	RETURN SPRING	1	
110	668-4803	SCREW M5X20	2	
111	668-4727	CONTAL NUT 5	2	
112	668-4725	SCREW M4X20 (BLACK)	4	
125	668-4804	THROTTLE LEVER	1	

# H52-09 GEAR CASE



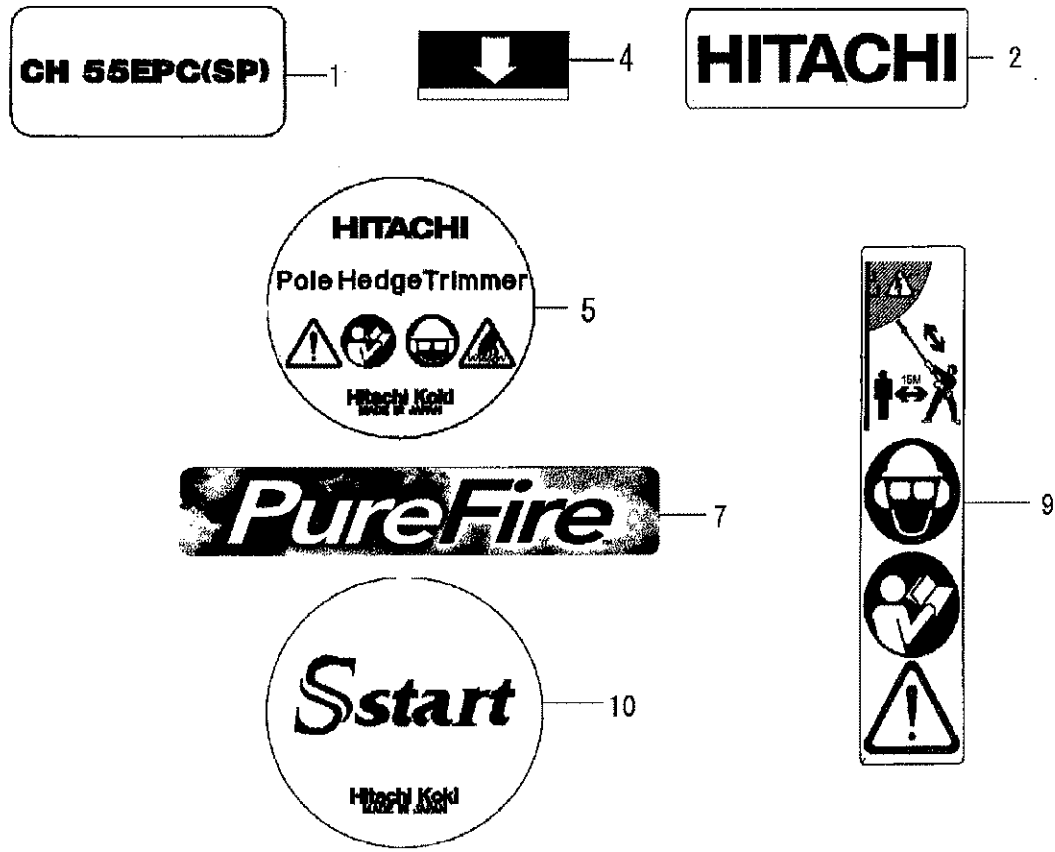
REF. NUMBER	PARTS NUMBER	DESCRIPTION	Q'TY	SERIAL NUMBER
<b>H52-09 GEAR CASE</b>				
001	668-8653	GEAR CASE A,24 DIA	1	
003	669-5582	BALL BEARING 6901ZZ, 24MM/OD	2	
004	669-5302	STOP RING S-12, OUTER	1	
005	668-4732	STOP RING C-24, INNER	1	
006	669-5547	BALL BEARING 608 ZZ C3	1	
007	669-5293	STOP RING C-22, INNER	1	
008	668-8643	GREASE NIPPLE COMP.	3	
011	669-5042	HEX. HOLE BOLT 5X10	1	
012	668-4709	HEX.HOLE BOLT M5X25/S	1	
013	669-5078	HEX. HOLE BOLT 6X12	2	
014	668-4822	SPECIAL WASHER B	2	
015	668-8834	GEAR CASE B	1	
016	669-5529	BALL BEARING #6000 2RS C3	1	
017	669-5294	STOP RING C-26, INNER	1	
019	669-5310	STOP RING E-6	1	
020	668-9167	GEAR CASE COVER A	1	
022	669-5035	HEX HOLE BOLT 4X8	2	
023	669-5547	BALL BEARING 608 ZZ C3	1	
024	669-5293	STOP RING C-22, INNER	1	
026	668-8089	HANDLE	1	
029	669-5079	HEX HOLE BUTTON SCREW 6X15	2	
030	668-6669	GREASE SEALED	1	
035	668-8893	GEAR SET	1	
036	669-1200	HANDLE KNOB A COMP.	1	
041	669-5016	PLUS BOLT 6X14	1	
042	669-5175	NUT 6 UPS-P	1	
043	669-0744	SUPPORT PLATE	1	
044	668-6659	GREASE SEAL B	1	
045	668-4639	WASHER 6	1	

# H52-10 BLADE



REF. NUMBER	PARTS NUMBER	DESCRIPTION	Q'TY	SERIAL NUMBER
<b>H52-10 BLADE</b>				
001	668-6790	CAM SHAFT COMP.	1	
002	668-6809	CAM ROD	2	
003	668-6611	CAM-ROD GUIDE PLATE	2	
004	668-7125	CUTTER GUIDE 625.5MM	1	
005	668-7079	CUTTER	2	
006	668-7158	FIXING BOLT A M6	1	
007	668-7187	WASHER 7 BLACK	4	
008	669-5170	FLANGE NUT 6	3	
009	669-5073	HEX HOLE FLUSH SCREW 6X16	1	
010	668-6647	GREASE SEAL A	2	
011	668-6826	CAM-ROD HOLDING PLATE	1	
012	668-9173	GEAR CASE COVER B	1	
013	669-5547	BALL BEARING 608 ZZ C3	1	
014	669-5484	HEX. HOLE BOLT 4X10S	2	
015	668-4595	HEX.HOLE BOLT M4X12/S	6	
016	668-7301	CUTTER COVER	1	
020	668-7162	CUTTER FIXING BOLT B	3	
021	669-5075	HEX. HOLE FLUSH BOLT 6X25	1	
022	668-6666	GREASE SEAL B	1	
023	668-8633	SPACER	1	
024	669-5175	NUT 6 UPS-P	1	
025	668-4639	WASHER 6	1	
029	668-5997	COMBI. BOX SPANNER 10X19 ,PLU	1	
030	668-4813	HEX. BAR WRENCH 4MM	1	
031	668-4766	WRENCH 8X10	1	

# H52-11 LABELS



REF. NUMBER	PARTS NUMBER	DESCRIPTION	Q'TY	SERIAL NUMBER
<b>H52-11 LABELS</b>				
001	669-6522	SYMBOL MARK CH55EPB(SP)	1	
002	669-4513	DECLA HITACHI	1	
004	668-4851	LEVEL MARK	1	
005	669-4556	CAUTION MARK HITACHI	1	
007	669-4741	SYMBOL MARK	1	
009	669-4416	CUATION MARK	1	
010	669-4474	STARTER MARK S.START	1	