

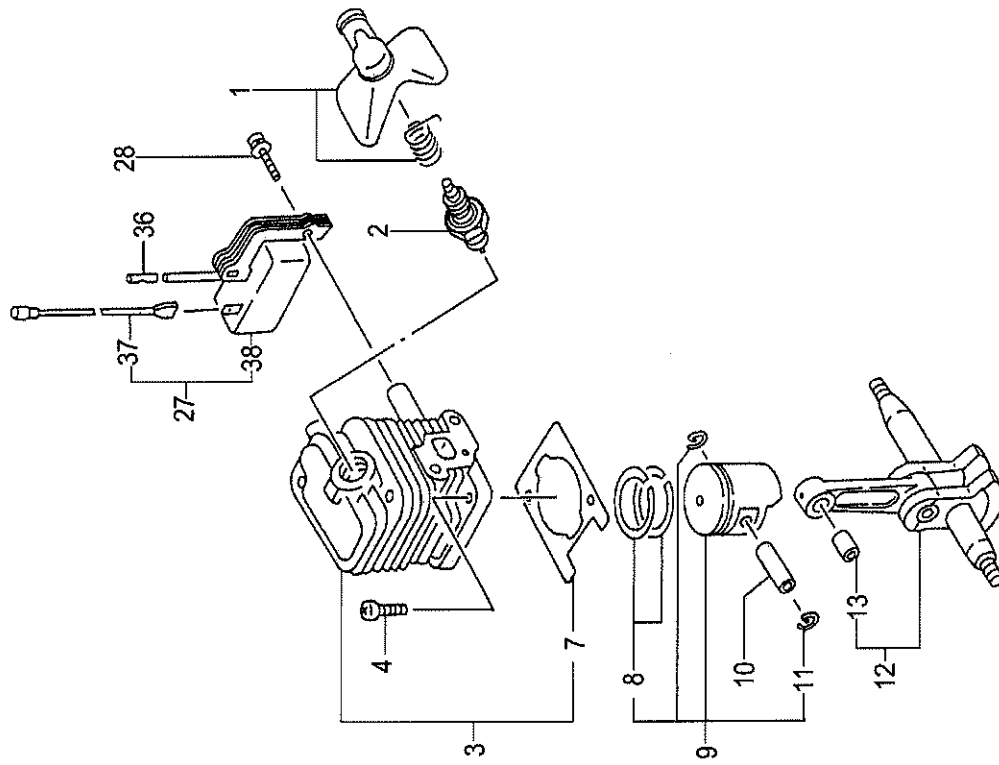
H05

CH78EC(SC)

Serial No.

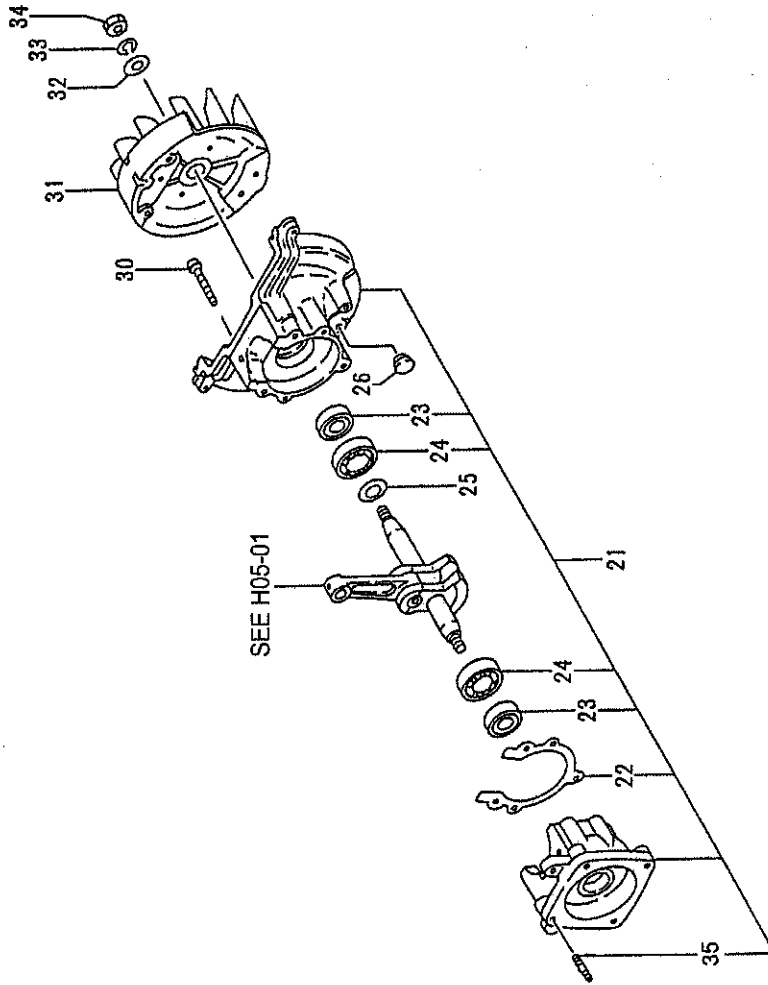
H05-01

CH78EC(SC) CYLINDER/PISTON/CRANK SFAHT



| REF. NUMBER | PARTS NUMBER | DESCRIPTION | Q'TY | SERIAL NUMBER |
|-------------|--------------|--------------------------|------|---------------|
| 001 | 668-7476 | SPARK PLUG CAP ASS'Y | 1 | |
| 002 | 668-5768 | SPARK PLUG, RCJ8Y | 1 | |
| 003 | 668-5481 | CYLINDER SET | 1 | |
| 004 | 668-4586 | HEX.HOLE BOLT M5X18/S | 2 | |
| 007 | 668-5744 | CYLINDER GASKET | 1 | |
| 008 | 668-4588 | PISTON RING | 2 | |
| 009 | 668-5893 | PISTON SET, SPARE | 1 | |
| 010 | 668-4591 | PISTON PIN | 1 | |
| 011 | 668-6028 | PISTON PIN CIRCLIP | 2 | |
| 012 | 668-6205 | CRANK SHAFT COMP. | 1 | |
| 013 | 669-5589 | NEEDLE BRG F-810 1.4X8.5 | 1 | |
| 027 | 668-7350 | IGNITION COIL ASS'Y | 1 | |
| 028 | 668-4599 | HEX.HOLE BOLT M4X18/WS | 2 | |
| 036 | 668-4597 | INSULATOR TUBE 50L | 1 | |
| 037 | 668-7866 | CORD | 1 | |
| 038 | 668-7698 | IGNITION COIL COMP. | 1 | |

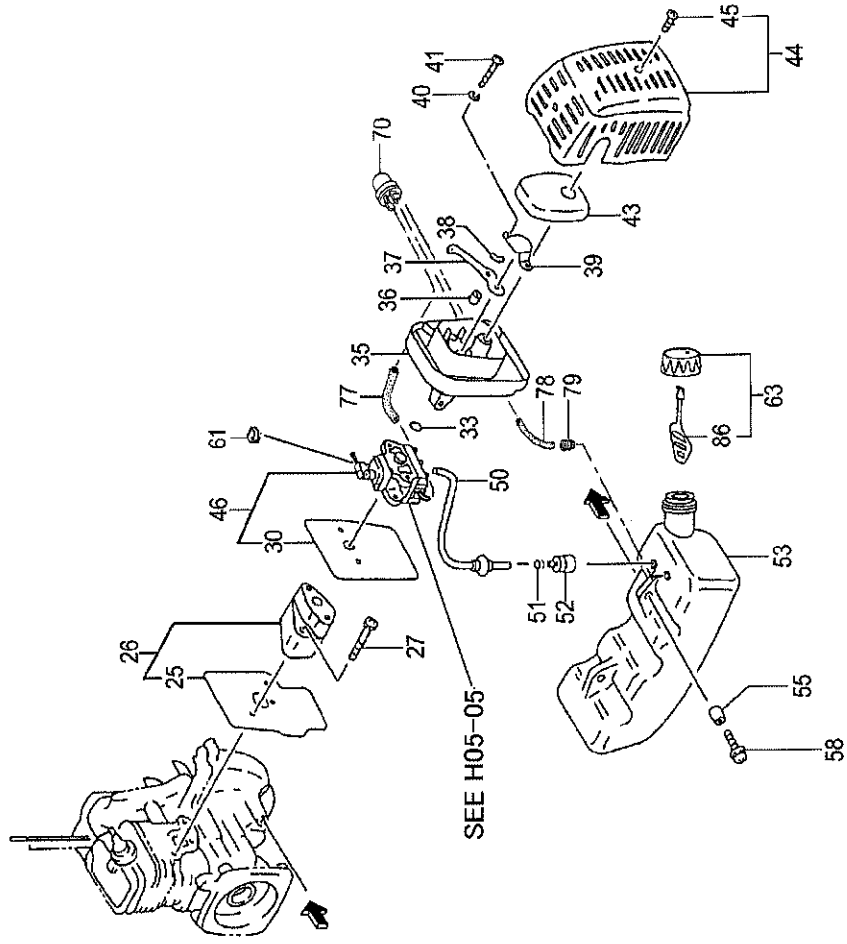
H05-02 CH78EC(SC) CRANK CASE



SEE H05-01

| REF. NUMBER | PARTS NUMBER | DESCRIPTION | Q'TY | SERIAL NUMBER |
|-------------|--------------|------------------------------|------|---------------|
| 021 | 668-6574 | CRANK CASE ASSY | 1 | |
| 022 | 668-6720 | CRANKCASE GASKET | 1 | |
| 023 | 668-4607 | OIL SEAL TB 12227 | 2 | |
| 024 | 669-5535 | BALL BEARING 6001 C3 | 2 | |
| 025 | 668-4604 | GEAR SHAFT SHIM 0.20 | V | |
| 025 | 668-4605 | GEAR SHAFT SHIM 0.30 | V | |
| 026 | 669-1822 | ANTI-VIBE RUBBER | 1 | |
| 030 | 668-4786 | HEX. SOCKET HD. BOLT M5X30 S | 3 | |
| 031 | 668-7389 | MAGNETO ROTOR COMP. | 1 | |
| 032 | 668-4611 | WASHER M8 | 1 | |
| 033 | 668-4971 | S.WASHER 8 | 1 | |
| 034 | 668-4612 | HEX.NUT M8 | 1 | |
| 035 | 668-6771 | STUD BOLT 6X22 | 2 | |

H05-03 CH78EC(SC) ENGINE-1

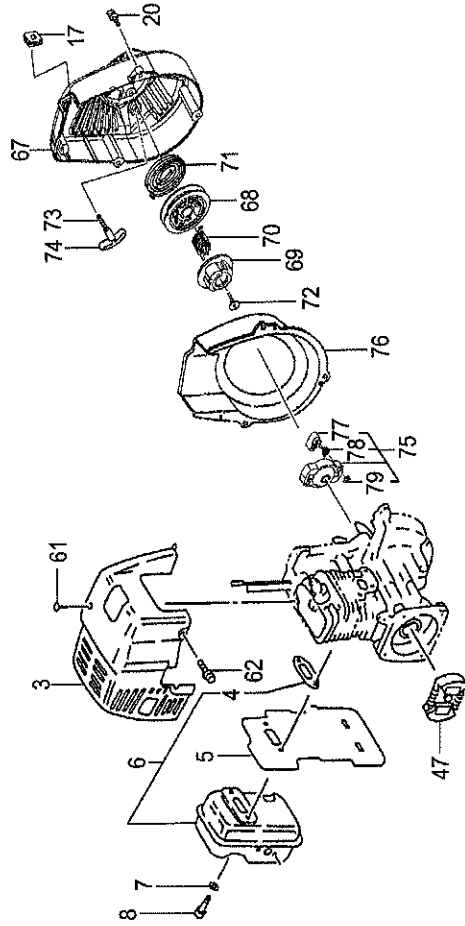


| REF. NUMBER | PARTS NUMBER | DESCRIPTION | Q'TY | SERIAL NUMBER |
|-------------|--------------|--------------------------|------|---------------|
| 025 | 668-9891 | INTAKE PIPE GASKET | 1 | |
| 026 | 668-9966 | CARB. INSULATOR SET, SP/ | 1 | |
| 027 | 669-5515 | HEX. HOLE BOLT 5X25WS | 2 | |
| 030 | 668-9839 | CARBURETOR GASKET | 1 | |
| 033 | 669-5670 | O-RING P-15 | 1 | |
| 035 | 669-0119 | CLEANER BODY COMP. | 1 | |
| 036 | 669-0804 | COLLAR 7.5 | 2 | |
| 037 | 669-1274 | CHOKE VALVE | 1 | |
| 038 | 668-4658 | WAVE WASHER 8 | 1 | |
| 039 | 669-0843 | BLOW OVER CHECK BOAR | 1 | |
| 040 | 668-4662 | S.WASHER 5 | 2 | |
| 041 | 668-4660 | SCREW M5X60 | 2 | |
| 043 | 669-0364 | CLEANER SPONGE | 1 | |
| 044 | 669-0417 | CLEANER COVER | 1 | |
| 045 | 668-9737 | SPECIAL SCREW | 1 | |
| 046 | 669-0487 | CARBURETOR SET, WYL12 | 1 | |
| 050 | 668-5247 | SHIELD TUBE ASS'Y | 1 | |
| 051 | 668-4619 | CLIP, 6.3 DIA. | 1 | |
| 052 | 668-4620 | PUMP FILTER BODY COMP | 1 | |
| 053 | 669-1564 | FUEL TANK | 1 | |
| 055 | 669-2244 | COLLAR 5.8 | 2 | |
| 058 | 669-5505 | HEX. HOLE BOLT 5X18PS | 2 | |
| 061 | 668-4628 | SWIVEL CAP | 1 | |
| 063 | 669-1716 | TANK CAP D ASSY. ORANG | 1 | |
| 070 | 668-5139 | PRIMING PUMP COMP. | 1 | |
| 077 | 669-2347 | FUEL PIPE 2.5X4X80 | 1 | |
| 078 | 669-2346 | FUEL PIPE 2.5X4X70 | 1 | |
| 079 | 668-4627 | RETURN GROMMET | 1 | |
| 086 | 668-4625 | TANK CAP CHAIN | 1 | |

H05-04

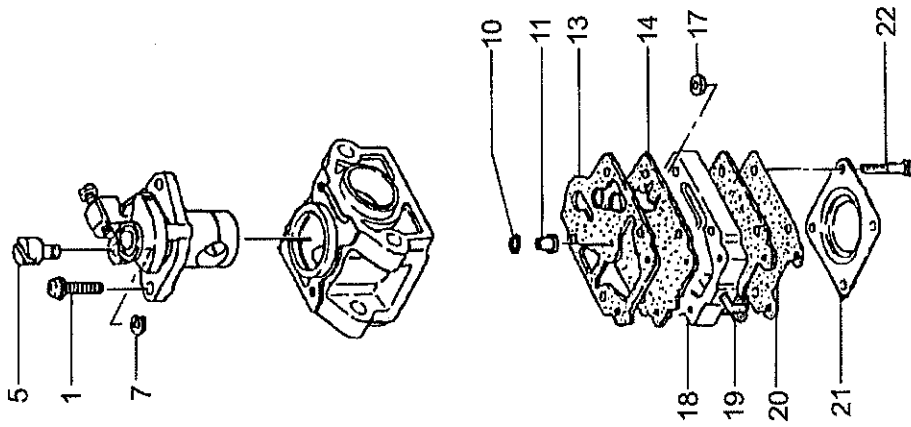
CH78EC(SC)

ENGINE-2



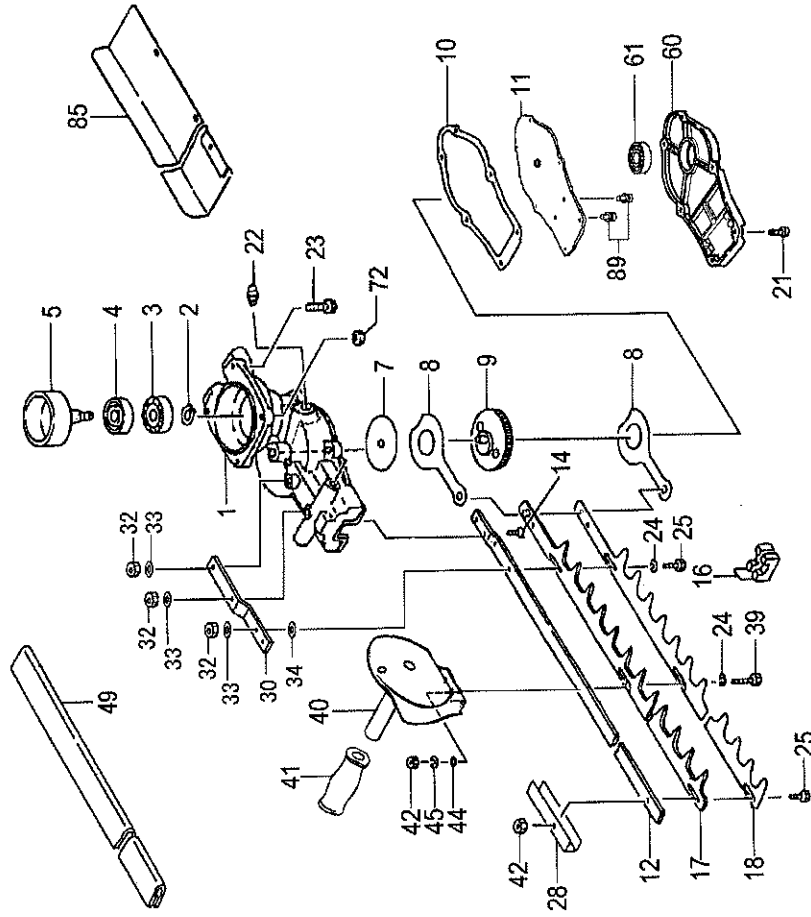
| REF. NUMBER | PARTS NUMBER | DESCRIPTION | QTY | SERIAL NUMBER |
|-------------|--------------|-------------------------|-----|---------------|
| 003 | 669-2799 | MUFFLER PROTECTOR | 1 | |
| 004 | 669-2744 | MUFFLER GASKET | 1 | |
| 005 | 668-7252 | HEAT SHIELD | 1 | |
| 006 | 669-2477 | MUFFLER SET | 1 | |
| 007 | 668-4661 | WASHER 5 | 2 | |
| 008 | 668-5114 | HEX. SOCKET HD. BOLT M6 | 2 | |
| 017 | 668-8050 | GROMMET | 1 | |
| 020 | 669-5502 | HEX. HOLE BOLT 4X18PS | 3 | |
| 047 | 668-8494 | CLUTCH ASSY | 1 | |
| 061 | 668-4636 | TAPPING SCREW D4.5X16 | 1 | |
| 062 | 669-5441 | BOLT 4X12PS | 2 | |
| 067 | 668-7014 | FAN CASE COMP. | 1 | |
| 068 | 669-3072 | STARTER ROPE REEL | 1 | |
| 069 | 668-4678 | CAM PLATE | 1 | |
| 070 | 668-4677 | DUMPER SPRING | 1 | |
| 071 | 668-4675 | RECOIL SPRING | 1 | |
| 072 | 668-4679 | SET SCREW | 1 | |
| 073 | 669-3172 | ROPE 3X890 | 1 | |
| 074 | 669-3237 | STARTER HANDLE | 1 | |
| 075 | 668-4681 | STARTER PULLEY ASSY | 1 | |
| 076 | 668-7209 | DEFLECTOR | 1 | |
| 077 | 668-4685 | STARTER PAWL | 2 | |
| 078 | 668-4684 | STARTER PAWL SPRING | 2 | |
| 079 | 668-4683 | STOP RING E-5 | 2 | |

H05-05 CH78EC(SC) CARBURETOR

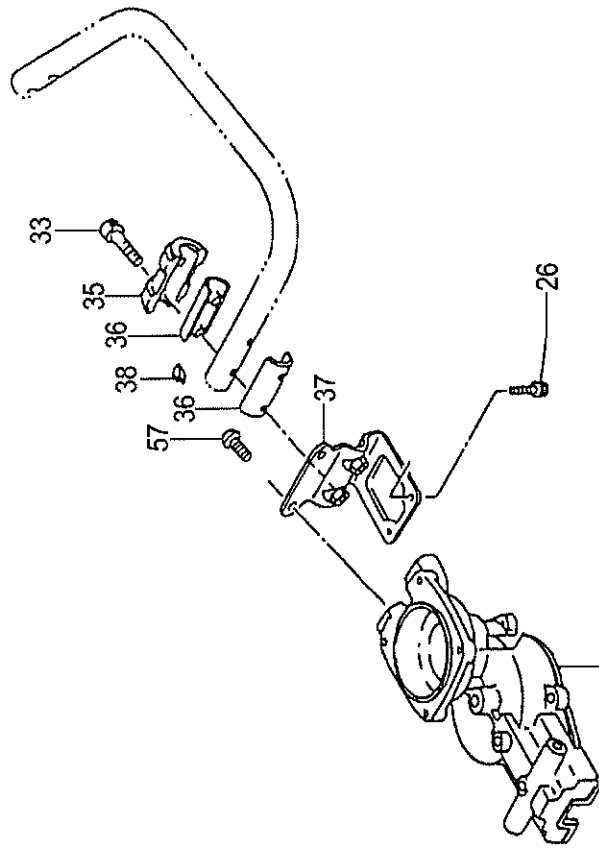


| REF. NUMBER | PARTS NUMBER | DESCRIPTION | Q'TY | SERIAL NUMBER |
|-------------|--------------|----------------------------|------|---------------|
| 001 | 668-4698 | THROTTLE SET SCREW | 2 | |
| 005 | 668-4697 | SWIVEL | 1 | |
| 007 | 668-4696 | STOP RING | 1 | |
| 010 | 668-4695 | O-RING | 1 | |
| 011 | 669-1888 | MAIN JET #34.5 | 1 | |
| 013 | 669-1457 | PUMP GASKET | 1 | |
| 014 | 668-4693 | PUMP DIAPHRAGM | 1 | |
| 017 | 668-4700 | INLET SCREEN | 1 | |
| 018 | 669-1430 | PUMP BODY COMP. | 1 | |
| 019 | 668-5220 | DIAPHRAGM PACKING | 1 | |
| 020 | 669-0827 | METERING DIAPHRAGM COMP. # | 1 | |
| 021 | 668-5222 | DIAPHRAGM COVER | 1 | |
| 022 | 669-1312 | SET SCREW | 4 | |

H05-06 CH78EC(SC) GEAR CASE/BLADE



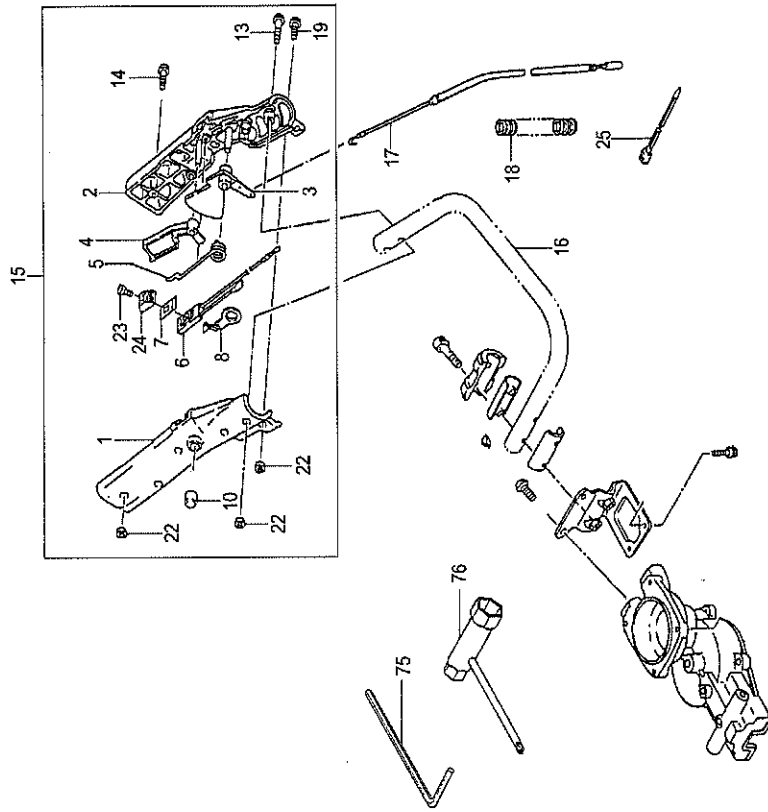
| REF. NUMBER | PARTS NUMBER | DESCRIPTION | Q'TY | SERIAL NUMBER |
|-------------|--------------|------------------------------|------|---------------|
| 001 | 668-8678 | GEAR CASE COMP. | 1 | |
| 002 | 669-5285 | STOP RING C-15, OUTER | 1 | |
| 003 | 669-5536 | BALL BEARING #6002, 32MM/OD | 1 | |
| 004 | 669-5538 | BALL BEARING #6002Z, 32MM/OD | 1 | |
| 005 | 668-8570 | CLUTCH DRUM COMP. | 1 | |
| 007 | 668-6612 | GUIDE PLATE | 1 | |
| 008 | 668-6811 | CAM ROD | 2 | |
| 009 | 668-8625 | GEAR 2 COMP. | 1 | |
| 010 | 668-8909 | GEAR CASE GASKET | 1 | |
| 011 | 669-2101 | GEAR CASE COVER | 1 | |
| 012 | 668-7133 | CUTTER GUIDE 858L M6 | 1 | |
| 014 | 669-5075 | HEX. HOLE FLUSH BOLT 6X25 | 2 | |
| 016 | 668-6654 | GREASE SEAL A | 2 | |
| 017 | 668-7108 | CUTTER B (820L) | 1 | |
| 018 | 668-7082 | CUTTER A 820L | 1 | |
| 021 | 668-4595 | HEX.HOLE BOLT M4X12/S | 4 | |
| 022 | 668-8643 | GREASE NIPPLE COMP. | 1 | |
| 023 | 669-5495 | HEX. HOLE BOLT 6X18/S | 2 | |
| 024 | 668-7187 | WASHER 7 BLACK | 4 | |
| 025 | 668-7158 | FIXING BOLT A M6 | 4 | |
| 028 | 668-7180 | BLADE HOLDER | 1 | |
| 030 | 669-0764 | SUPPORT PLATE | 1 | |
| 032 | 669-5175 | NUT 6 UPS-P | 3 | |
| 033 | 668-4639 | WASHER 6 | 3 | |
| 034 | 668-4822 | SPECIAL WASHER B | 1 | |
| 039 | 668-7168 | FIXING BOLT B M6 | 1 | |
| 040 | 668-6311 | HANDLE B COMP. | 1 | |
| 041 | 668-4708 | HANDLE GRIP | 1 | |
| 042 | 669-5170 | FLANGE NUT 6 | 4 | |
| 044 | 668-4639 | WASHER 6 | 1 | |
| 045 | 669-5219 | S.WASHER 6 | 1 | |
| 049 | 668-7308 | CUTTER COVER, L-773 | 1 | |
| 060 | 668-8844 | GEAR CASE B | 1 | |
| 061 | 669-5547 | BALL BEARING 608 ZZ C3 | 1 | |
| 072 | 669-5475 | SPRING NUT 6 | 2 | |
| 085 | 668-9539 | GATHERING PLATE, OBLONG | 1 | |
| 089 | 669-5484 | HEX. HOLE BOLT 4X10S | 2 | |

H05-07**CH78EC(SC) HANDLE BRACKET**

SEE H05-06

| REF. NUMBER | PARTS NUMBER | DESCRIPTION | Q'TY | SERIAL NUMBER |
|-------------|--------------|-----------------------|------|---------------|
| 026 | 669-5487 | HEX. HOLE BOLT 4X15/S | 2 | |
| 033 | 668-4934 | HEX.HOLE BOLT M5X35 | 2 | |
| 035 | 668-6362 | HANDLE HOLDER | 1 | |
| 036 | 668-6398 | DAMPER RUBBER | 2 | |
| 037 | 668-6369 | HANDLE BRACKET COMP. | 1 | |
| 038 | 668-7800 | EARTH TERMINAL | 1 | |
| 057 | 669-5489 | HEX HOLE BOLT 5X12/S | 2 | |

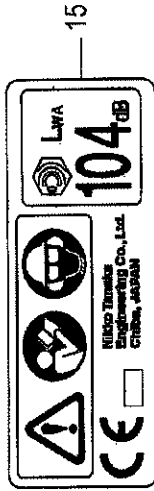
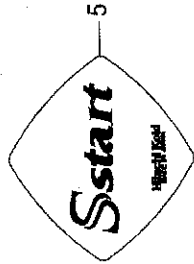
H05-08 CH78EC(SC) HANDLE



| REF. NUMBER | PARTS NUMBER | DESCRIPTION | Q'TY | SERIAL NUMBER |
|-------------|--------------|------------------------|------|---------------|
| 001 | 668-6338 | HANDLE GRIP A | 1 | |
| 002 | 668-6349 | HANDLE GRIP B | 1 | |
| 003 | 668-8229 | THROTTLE LEVER | 1 | |
| 004 | 668-8238 | SAFETY LEVER | 1 | |
| 005 | 668-6414 | THROTTLE LEVER SPRING | 1 | |
| 006 | 668-7765 | STOP BUTTON COMP. | 1 | |
| 007 | 669-4585 | STOP BUTTON MARK | 1 | |
| 008 | 668-9128 | EARTH TERMINAL | 1 | |
| 010 | 669-3002 | CAP | 1 | |
| 013 | 669-5412 | SCREW 4X30/WS | 2 | |
| 014 | 669-5411 | SCREW 4X25/WS | 1 | |
| 015 | 668-6357 | HANDLE GRIP ASS'Y | 1 | |
| 016 | 668-6274 | HANDLE A COMP. | 1 | |
| 017 | 669-3910 | THROTTLE WIRE COMP. | 1 | |
| 018 | 668-7525 | PROTECTION TUBE 7X165L | 1 | |
| 019 | 669-5404 | SCREW 4X16WS | 3 | |
| 022 | 669-5163 | NYLON LOCK NUT 4 | 6 | |
| 023 | 668-4913 | SCREW 3X10 | 1 | |
| 024 | 668-8366 | BUTTON STOP | 1 | |
| 025 | 668-8015 | CORD CLAMP | 1 | |
| 075 | 668-5997 | COMBI. BOX SPANNER 10X | 1 | |
| 076 | 668-4813 | HEX. BAR WRENCH 4MM | 1 | |

H05-09

CH78EC(SC) LABELS



| REF. NUMBER | PARTS NUMBER | DESCRIPTION | Q'TY | SERIAL NUMBER |
|-------------|--------------|----------------------|------|---------------|
| 001 | 669-4195 | NAME PLATE THT2510S | 1 | |
| 005 | 669-4466 | RECOIL LABEL S-START | 1 | |
| 015 | 669-4526 | CAUTION MARK A | 1 | |