

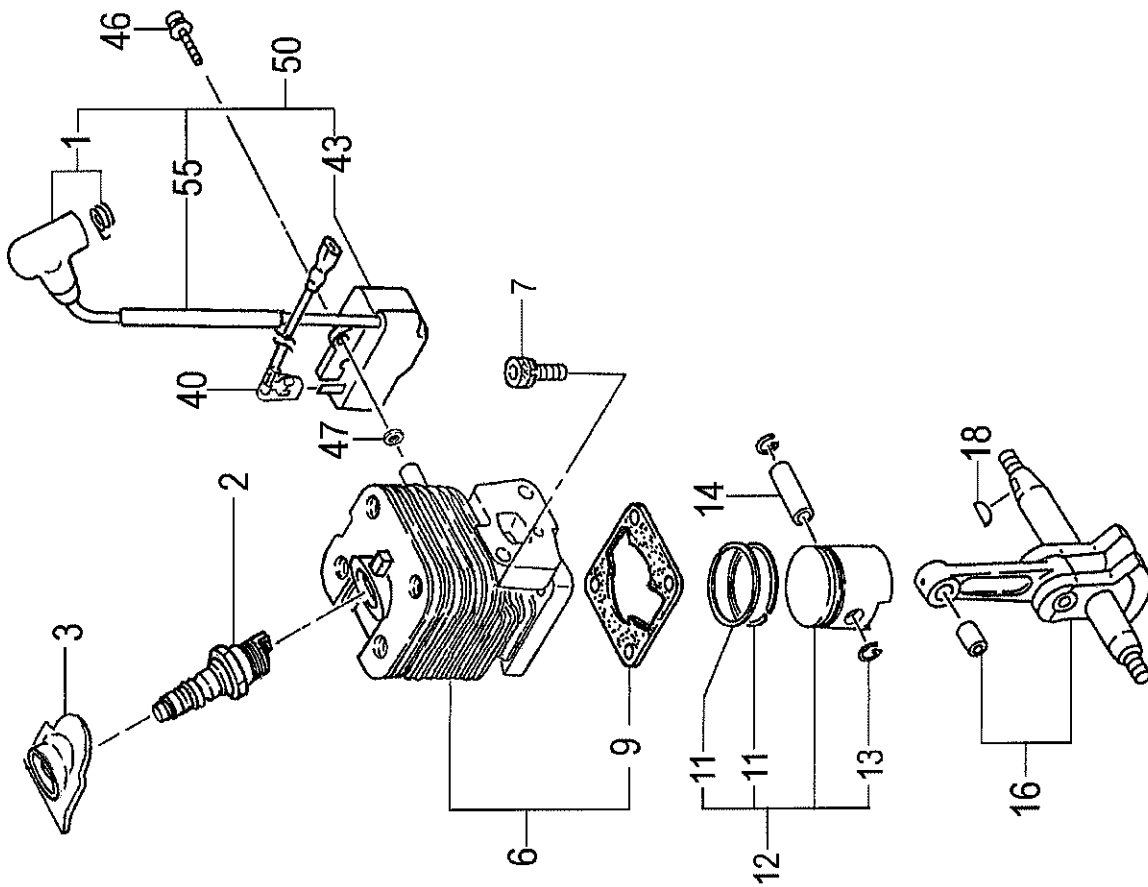
H30

CH78ED(TP)

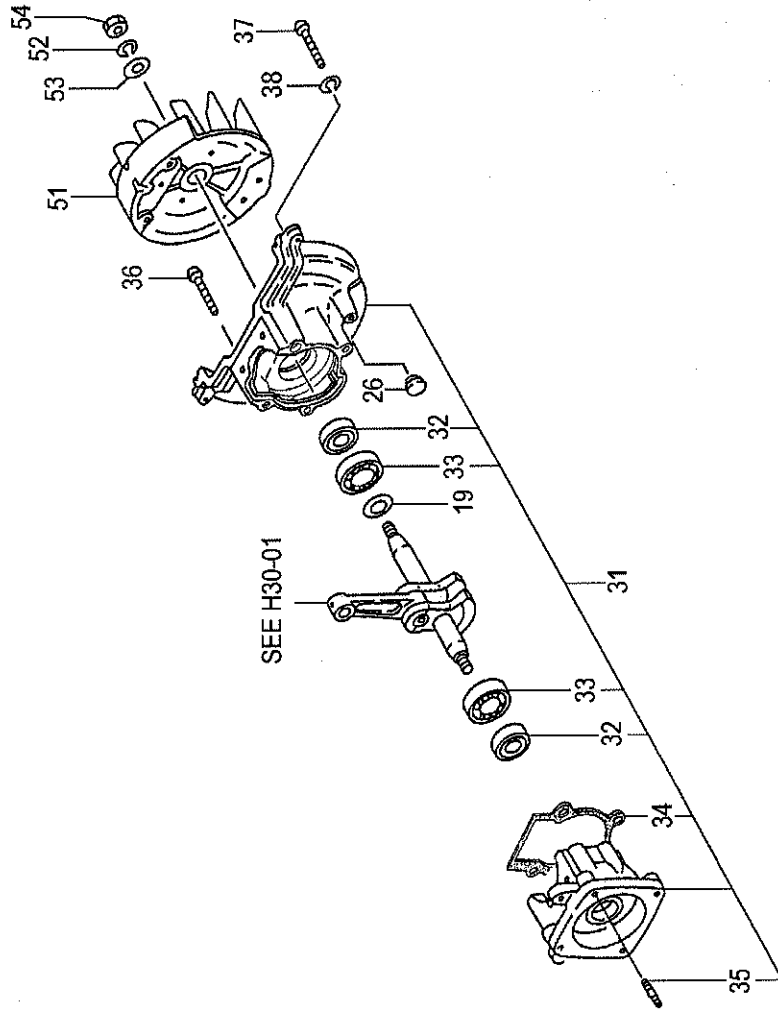
Serial No.

H30-01

CH78ED(TP) CYLINDER/PISTON/CRANK SFAHT



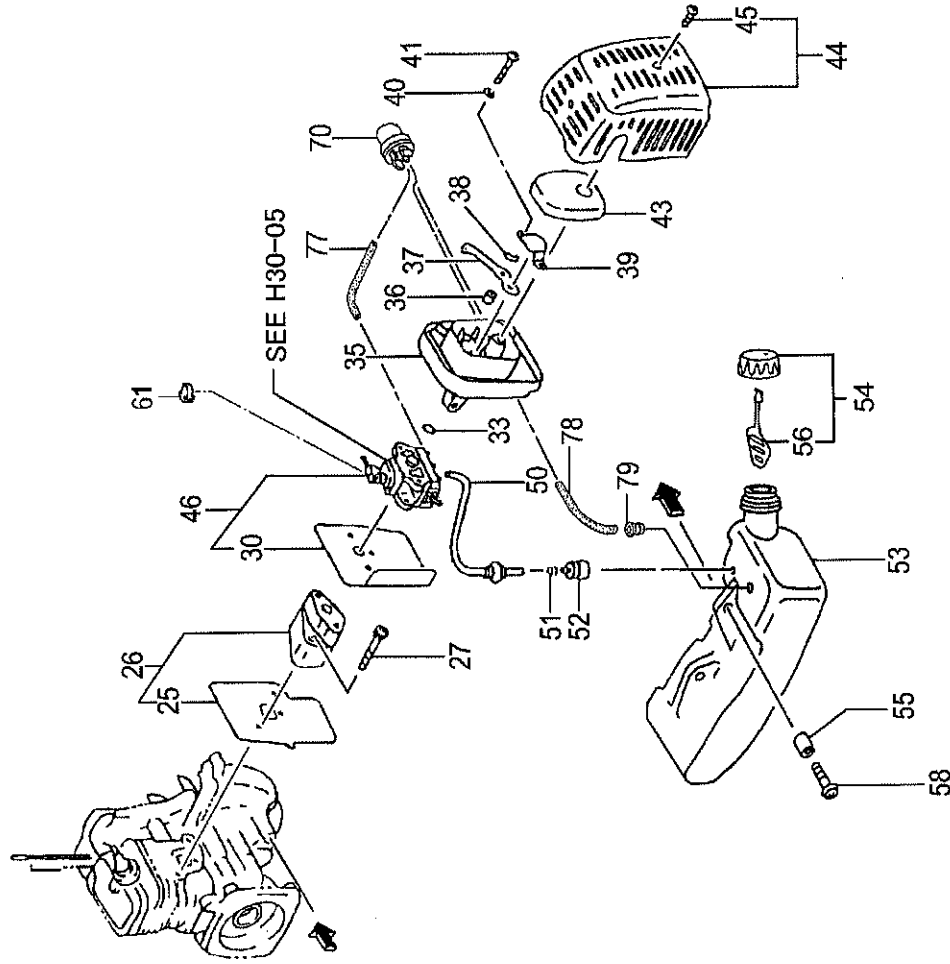
| REF. NUMBER | PARTS NUMBER | DESCRIPTION | Q'TY | SERIAL NUMBER |
|-------------|--------------|-------------------------|------|---------------|
| 001 | 668-4894 | PLUG CAP ASS'Y | 1 | |
| 002 | 668-5768 | SPARK PLUG, RCJ8Y | 1 | |
| 003 | 668-8334 | SPARK PLUG RUBBER COVER | 1 | |
| 006 | 668-5462 | CYLINDER SET | 1 | |
| 007 | 668-4586 | HEX.HOLE BOLT M5X18/S | 4 | |
| 009 | 668-5728 | CYLINDER GASKET | 1 | |
| 011 | 668-4588 | PISTON RING | 2 | |
| 012 | 668-5877 | PISTON SET | 1 | |
| 013 | 668-5078 | CIRCLIP | 2 | |
| 014 | 668-6011 | PISTON PIN | 1 | |
| 016 | 668-6176 | CRANK SHAFT COMP. | 1 | |
| 018 | 668-4899 | WOODRUFF KEY 3X13X4.5 | 1 | |
| 040 | 668-7840 | CORD, B 140M | 1 | |
| 043 | 668-7703 | IGNITION COIL COMP. | 1 | |
| 046 | 668-4599 | HEX.HOLE BOLT M4X18/WS | 2 | |
| 047 | 668-4600 | WASHER | 2 | |
| 050 | 668-7704 | IGNITION COIL ASSY | 1 | |
| 055 | 668-8316 | INSULATOR TUBE | 1 | |

H30-02**CH78ED(TP) CRANK CASE**

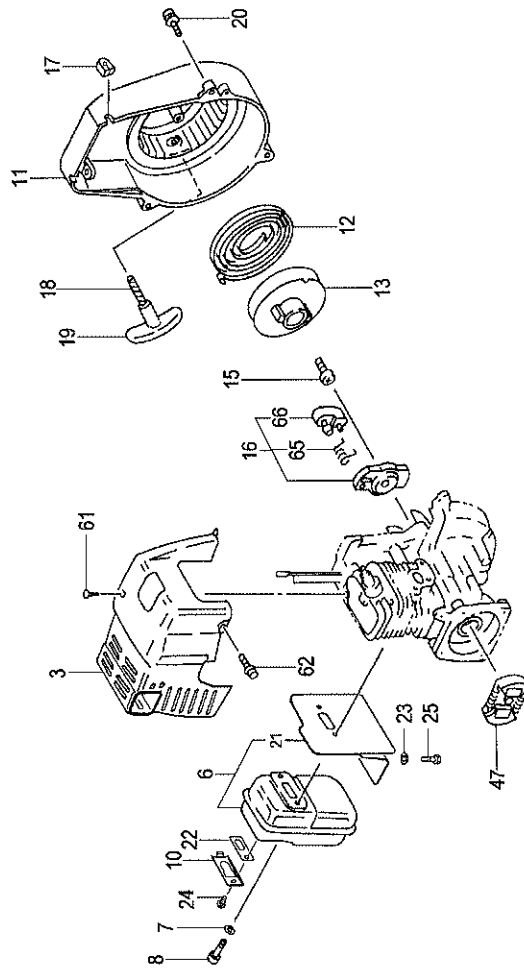
| REF. NUMBER | PARTS NUMBER | DESCRIPTION | Q'TY | SERIAL NUMBER |
|-------------|--------------|--------------------------|------|---------------|
| 019 | 668-4604 | GEAR SHAFT SHIM 0.20 | V | |
| 019 | 668-4605 | GEAR SHAFT SHIM 0.30 | V | |
| 026 | 668-8047 | GROMMET | 1 | |
| 031 | 668-6529 | CRANK CASE ASS'Y | 1 | |
| 032 | 668-4607 | OIL SEAL TB 12227 | 2 | |
| 033 | 669-5535 | BALL BEARING 6001 C3 | 2 | |
| 034 | 668-6705 | CRANK CASE GASKET | 1 | |
| 035 | 668-6771 | STUD BOLT 6X22 | 2 | |
| 036 | 668-4786 | HEX. SOCKET HD. BOLT M5X | 2 | |
| 037 | 669-5055 | HEX. HOLE BOLT 5X45 | 2 | |
| 038 | 668-4834 | SPRING WASHER 5 | 2 | |
| 051 | 668-7418 | MAGNETO ROTOR COMP. | 1 | |
| 052 | 668-4971 | S.WASHER 8 | 1 | |
| 053 | 668-4611 | WASHER M8 | 1 | |
| 054 | 668-4612 | HEX.NUT M8 | 1 | |

H30-03

CH78ED(TP) ENGINE-1

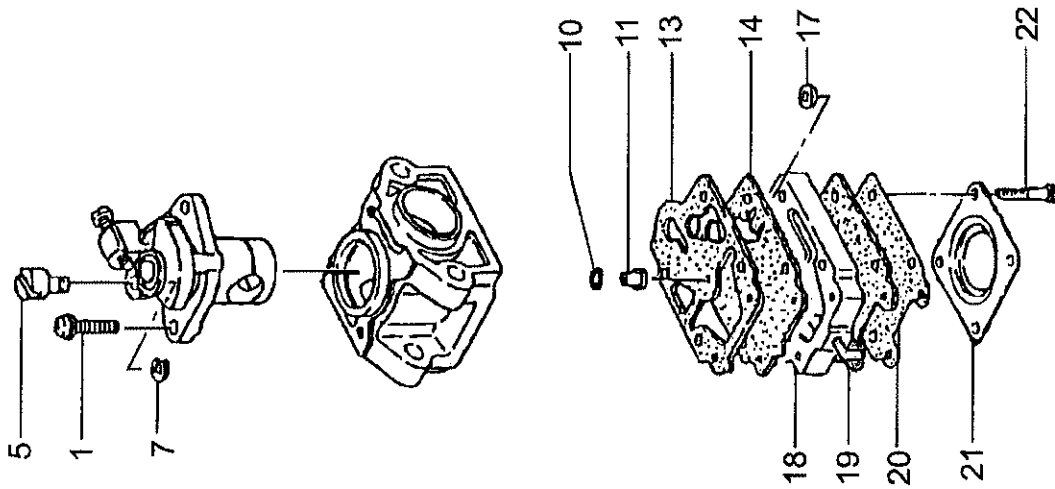


| REF. NUMBER | PARTS NUMBER | DESCRIPTION | Q'TY | SERIAL NUMBER |
|-------------|--------------|------------------------|------|---------------|
| 025 | 668-9874 | INTAKE MANIFOLD GASKET | 1 | |
| 026 | 668-9937 | INSULATOR SET, SPARE | 1 | |
| 027 | 669-5515 | HEX. HOLE BOLT 5X25WS | 2 | |
| 030 | 668-9828 | CARBURETOR GASKET | 1 | |
| 033 | 669-5670 | O-RING P-15 | 1 | |
| 035 | 669-0119 | CLEANER BODY COMP. | 1 | |
| 036 | 669-0804 | COLLAR 7.5 | 2 | |
| 037 | 669-1261 | CHOKE VALVE | 1 | |
| 038 | 668-4658 | WAVE WASHER 8 | 1 | |
| 039 | 669-0843 | BLOW OVER CHECK BOARD | 1 | |
| 040 | 668-4662 | S.WASHER 5 | 2 | |
| 041 | 668-4660 | SCREW M5X60 | 2 | |
| 043 | 669-0364 | CLEANER SPONGE | 1 | |
| 044 | 669-0415 | CLEANER COVER ASS'Y | 1 | |
| 045 | 668-9737 | SPECIAL SCREW | 1 | |
| 046 | 669-0461 | CARBURETOR SET WYL139A | 1 | |
| 050 | 668-8174 | SHEILD TUBE | 1 | |
| 051 | 668-4619 | CLIP, 6.3 DIA. | 1 | |
| 052 | 668-4620 | PUMP FILTER BODY COMP. | 1 | |
| 053 | 669-1511 | FUEL TANK | 1 | |
| 054 | 668-5049 | TANK CAP ASS'Y | 1 | |
| 055 | 669-2244 | COLLAR 5.8 | 2 | |
| 056 | 668-4625 | TANK CAP CHAIN | 1 | |
| 058 | 669-5505 | HEX. HOLE BOLT 5X18PS | 2 | |
| 061 | 668-4628 | SWIVEL CAP | 1 | |
| 070 | 668-5139 | PRIMING PUMP COMP. | 1 | |
| 077 | 669-2347 | FUEL PIPE 2.5X4X80 | 1 | |
| 078 | 669-2346 | FUEL PIPE 2.5X4X70 | 1 | |
| 079 | 668-4627 | RETURN GROMMET | 1 | |

H30-04**CH78ED(TP) ENGINE-2**

| REF. NUMBER | PARTS NUMBER | DESCRIPTION | Q'TY | SERIAL NUMBER |
|-------------|--------------|------------------------|------|---------------|
| 003 | 669-2772 | MUFFLER PROTECTOR | 1 | |
| 006 | 669-2455 | MUFFLER SET | 1 | |
| 007 | 668-4639 | WASHER 6 | 2 | |
| 008 | 669-5086 | HEX. HOLE SCREW 6X55 | 2 | |
| 010 | 669-2646 | TAIL PIPE | 1 | |
| 011 | 668-6957 | FAN CASE COMP. | 1 | |
| 012 | 668-4675 | RECOIL SPRING | 1 | |
| 013 | 669-3066 | STARTER ROPE REEL | 1 | |
| 015 | 669-3633 | SET SCREW | 1 | |
| 016 | 669-3405 | STARTER PULLEY ASS'Y | 1 | |
| 017 | 668-8049 | PRIMARY CORD GROMMET | 1 | |
| 018 | 669-3168 | STARTER ROPE | 1 | |
| 019 | 669-3237 | STARTER HANDLE | 1 | |
| 020 | 668-4682 | HEX. HOLE BOLT 4X15/PS | 3 | |
| 021 | 669-2718 | MUFFLER COVER A COMP. | 1 | |
| 022 | 669-2696 | MUFFLER ARRESTOR | 1 | |
| 023 | 668-4661 | WASHER 5 | 1 | |
| 024 | 669-5471 | SCREW 4X8PS | 1 | |
| 025 | 669-5332 | SCREW 5X8/S | 1 | |
| 047 | 668-8494 | CLUTCH ASSY | 1 | |
| 061 | 669-5104 | TAPPING SCREW 4.5X10 | 1 | |
| 062 | 669-5441 | BOLT 4X12PS | 1 | |
| 065 | 668-4684 | STARTER PAWL SPRING | 1 | |
| 066 | 669-3319 | STARTER PAWL | 1 | |

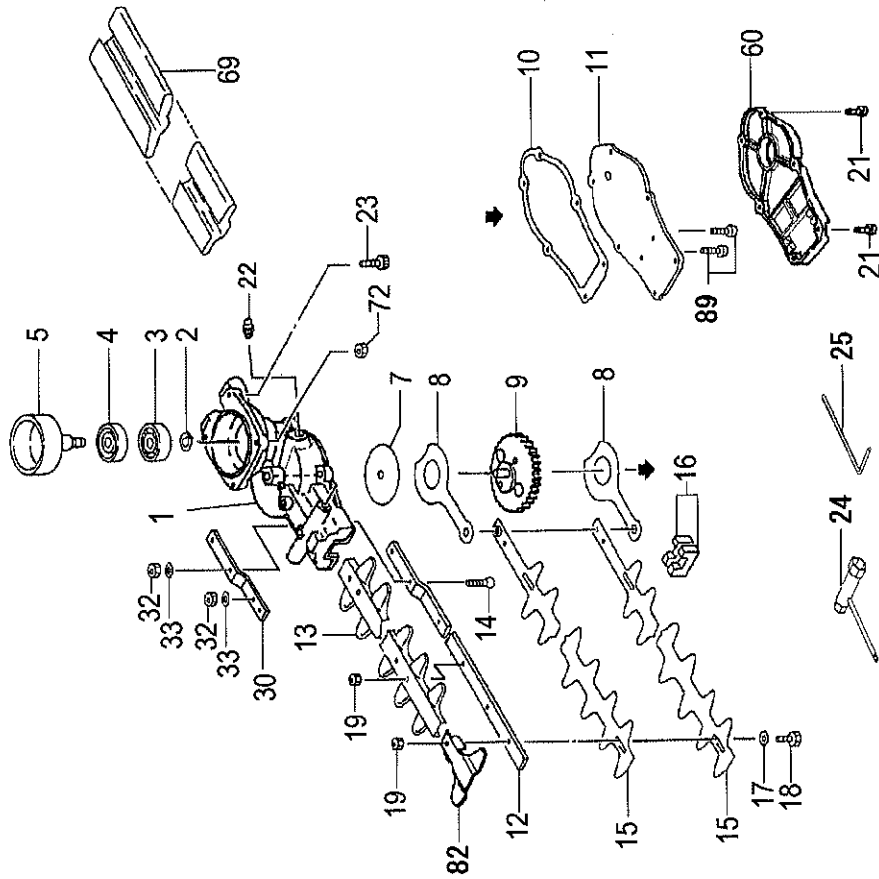
H30-05 CH78ED(TP) CARBURETOR



| REF. NUMBER | PARTS NUMBER | DESCRIPTION | Q'TY | SERIAL NUMBER |
|-------------|--------------|--------------------------|------|---------------|
| 001 | 668-4698 | THROTTLE SET SCREW | 2 | |
| 005 | 668-4697 | SWIVEL | 1 | |
| 007 | 668-4696 | STOP RING | 1 | |
| 010 | 668-4695 | O-RING | 1 | |
| 011 | 669-1873 | MAIN JET #35 | 1 | |
| 013 | 669-1457 | PUMP GASKET | 1 | |
| 014 | 668-4693 | PUMP DIAPHRAGM | 1 | |
| 017 | 668-4700 | INLET SCREEN | 1 | |
| 018 | 669-1435 | PUMP BODY COMP. | 1 | |
| 019 | 668-5220 | DIAPHRAGM PACKING | 1 | |
| 020 | 669-0830 | METERING DIAPHRAGM COMP. | 1 | |
| 021 | 668-5222 | DIAPHRAGM COVER | 1 | |
| 022 | 669-1312 | SET SCREW | 4 | |

H30-06

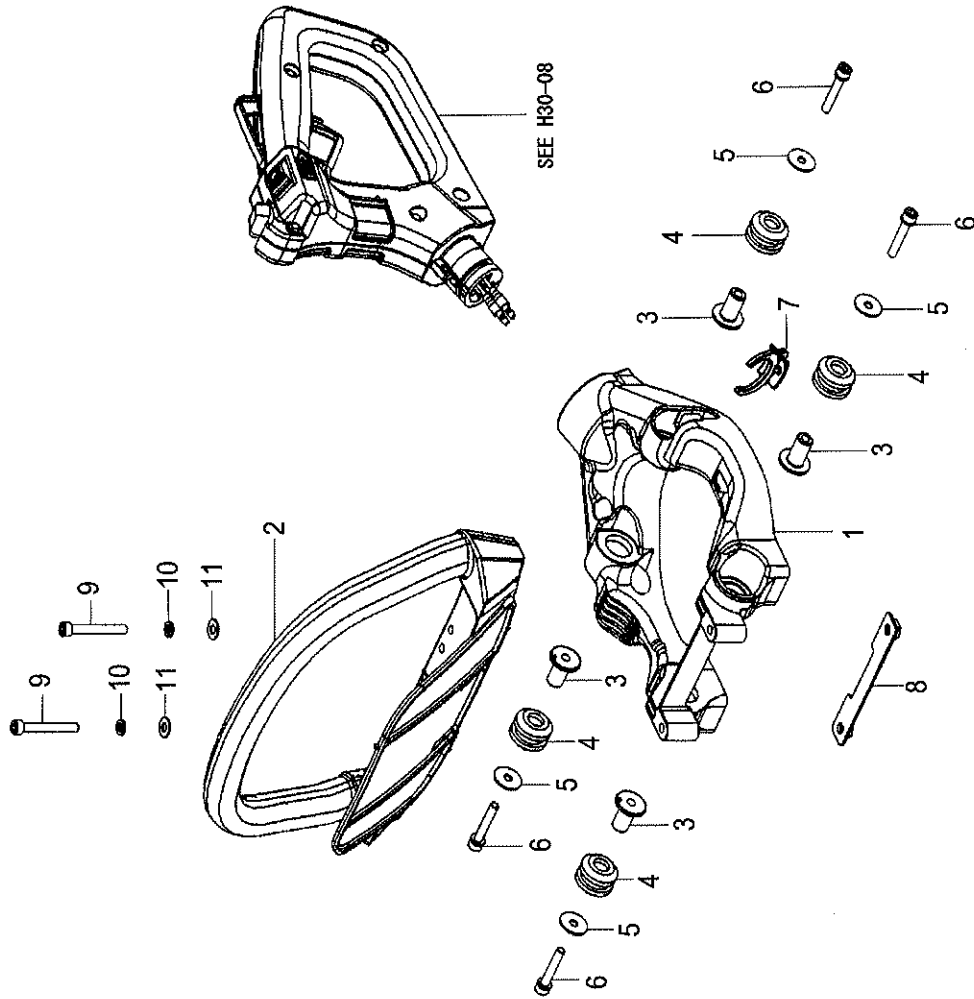
CH78ED(TP) GEAR CASE/BLADE



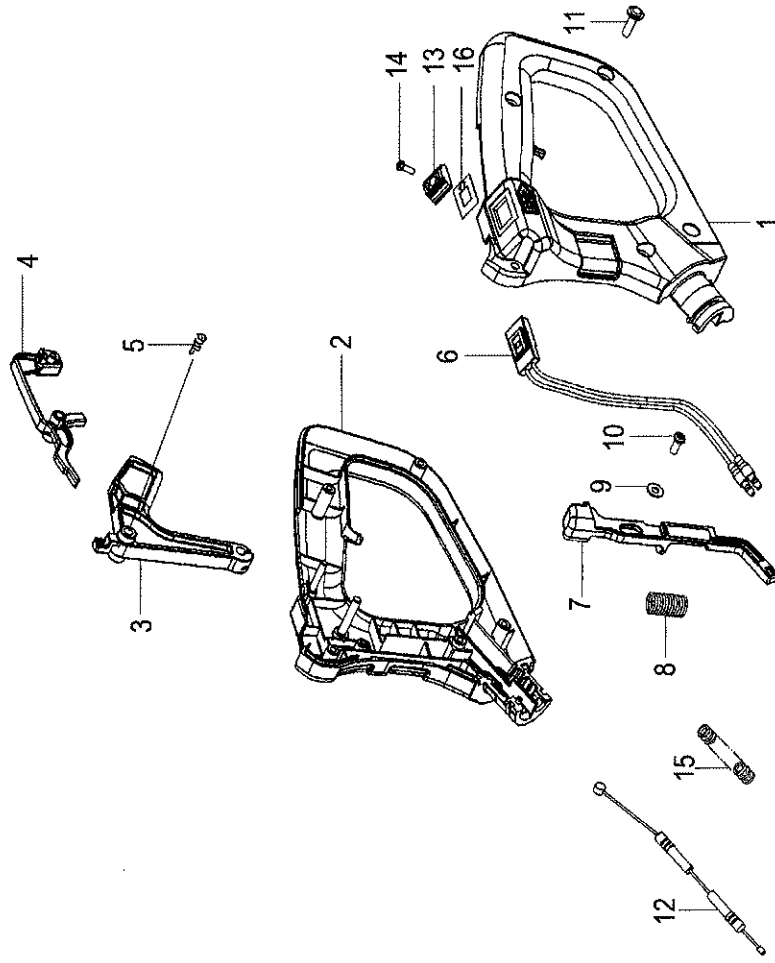
| REF. NUMBER | PARTS NUMBER | DESCRIPTION | Q'TY | SERIAL NUMBER |
|-------------|--------------|--------------------------------|------|---------------|
| 001 | 668-8684 | GEAR CASE COMP. | 1 | |
| 002 | 669-5285 | STOP RING C-15, OUTER | 1 | |
| 003 | 669-5536 | BALL BEARING #6002, 32MM/OD | 1 | |
| 004 | 669-5538 | BALL BEARING #6002Z, 32MM/OD | 1 | |
| 005 | 668-8570 | CLUTCH DRUM COMP. | 1 | |
| 007 | 668-6612 | GUIDE PLATE | 1 | |
| 008 | 668-6811 | CAM ROD | 2 | |
| 009 | 668-8625 | GEAR 2 COMP. | 1 | |
| 010 | 668-8909 | GEAR CASE GASKET | 1 | |
| 011 | 669-2101 | GEAR CASE COVER | 1 | |
| 012 | 668-7144 | CUTTER GUIDE 845L M6 | 1 | |
| 013 | 668-7289 | PROTECTION PLATE | 1 | |
| 014 | 669-5075 | HEX. HOLE FLUSH BOLT 6X25 | 2 | |
| 015 | 668-7092 | CUTTER A (812L) | 2 | |
| 016 | 668-6654 | GREASE SEAL A | 2 | |
| 017 | 668-7187 | WASHER 7 BLACK | 6 | |
| 018 | 668-7158 | FIXING BOLT A M6 | 6 | |
| 019 | 669-5170 | FLANGE NUT 6 | 5 | |
| 021 | 668-4595 | HEX.HOLE BOLT M4X12/S | 6 | |
| 022 | 668-8643 | GREASE NIPPLE COMP. | 1 | |
| 023 | 669-5495 | HEX. HOLE BOLT 6X18/S | 2 | |
| 024 | 668-5997 | COMBI. BOX SPANNER 10X19 ,PLUS | 1 | |
| 025 | 668-4813 | HEX. BAR WRENCH 4MM | 1 | |
| 030 | 669-0762 | SUPPORT PLATE | 1 | |
| 032 | 669-5175 | NUT 6 UPS-P | 3 | |
| 033 | 668-4639 | WASHER 6 | 3 | |
| 060 | 668-8846 | GEAR CASE B | 1 | |
| 069 | 668-7306 | BLADE COVER | 1 | |
| 072 | 669-5475 | SPRING NUT 6 | 2 | |
| 082 | 668-7275 | GUARD PLATE | 1 | |
| 089 | 669-5484 | HEX. HOLE BOLT 4X10S | 2 | |

H30-07

CH78ED(TP) FRONT HANDLE



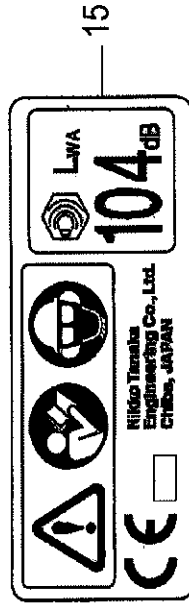
| REF. NUMBER | PARTS NUMBER | DESCRIPTION | QTY | SERIAL NUMBER |
|-------------|--------------|--------------------------|-----|---------------|
| 001 | 668-8377 | FLAME | 1 | |
| 002 | 668-8097 | HANDLE | 1 | |
| 003 | 668-8485 | DAMPER COLLAR B | 4 | |
| 004 | 668-8412 | DAMPER B | 4 | |
| 005 | 668-9680 | BRAKE SHAFT WASHER | 4 | |
| 006 | 668-4786 | HEX. SOCKET HD. BOLT M5X | 4 | |
| 007 | 669-1122 | CLIP BLK | 1 | |
| 008 | 668-6111 | HANDLE SUPPORT COMP. | 1 | |
| 009 | 669-5054 | HEX. HOLE BOLT 5X40 | 2 | |
| 010 | 668-4834 | SPRING WASHER 5 | 2 | |
| 011 | 668-4918 | WASHER M5 | 2 | |

H30-08**CH78ED(TP) REAR HANDLE**

| REF. NUMBER | PARTS NUMBER | DESCRIPTION | QTY | SERIAL NUMBER |
|-------------|--------------|-----------------------|-----|---------------|
| 001 | 668-6314 | HANDLE B | 1 | |
| 002 | 668-6279 | HANDLE A | 1 | |
| 003 | 668-8230 | THROTTLE LEVER | 1 | |
| 004 | 668-8239 | SAFETY LEVER | 1 | |
| 005 | 668-8244 | THROTTLE LEVER SPRING | 1 | |
| 006 | 668-7767 | STOP BUTTON COMP. | 1 | |
| 007 | 668-8246 | LOCK LEVER | 1 | |
| 008 | 668-8279 | SPRING | 1 | |
| 009 | 668-5070 | BOLT WASHER M4 | 1 | |
| 010 | 668-5161 | TAPPING SCREW D4X10 | 1 | |
| 011 | 668-4636 | TAPPING SCREW D4.5X16 | 5 | |
| 012 | 669-3940 | THROTTLE WIRE COMP. | 1 | |
| 013 | 668-8366 | BUTTON STOP | 1 | |
| 014 | 668-4913 | SCREW 3X10 | 1 | |
| 015 | 668-7524 | PROTECTION TUBE 150L | 1 | |
| 016 | 669-4588 | STOP BUTTON MARK | 1 | |

H30-09

CH78ED(TP) LABELS



| REF. NUMBER | PARTS NUMBER | DESCRIPTION | Q'TY | SERIAL NUMBER |
|-------------|--------------|-------------------|------|---------------|
| 001 | 669-4748 | SYMBOL CH78ED(TP) | 1 | |
| 015 | 669-4526 | CAUTION MARK A | 1 | |