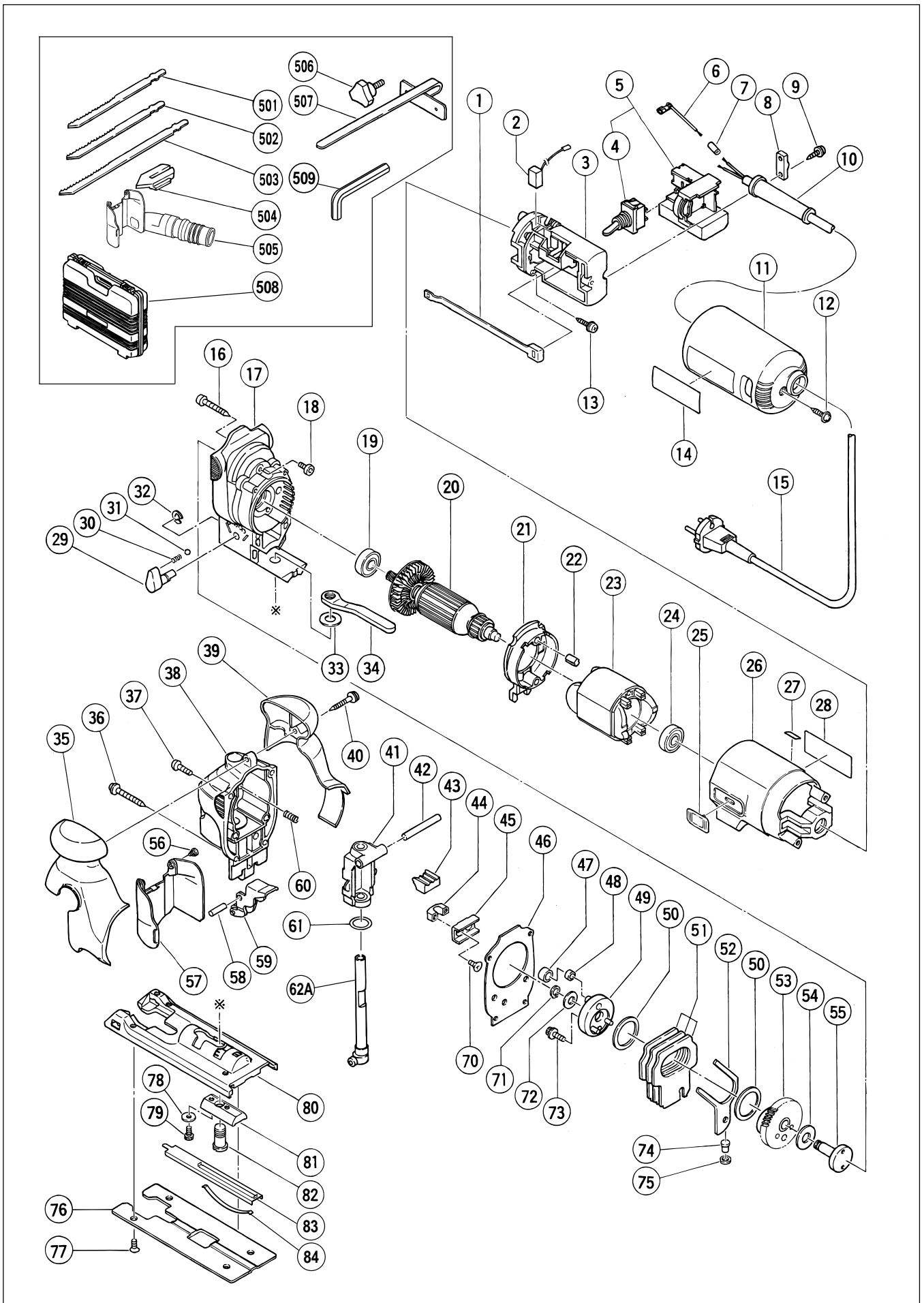


# Assembly Diagram for CJ 110VA



## PARTS

CJ 110VA

ITEM NO.	CODE NO.	DESCRIPTION	NO. USED	REMARKS
1	305-731	SLIDE BAR	1	
2	999-075	CARBON BRUSH (AUTO STOP TYPE) (1 PAIR)	2	
3	305-763	WIRING BLOCK (A)	1	
4	303-082	SWITCH	1	
*	5	305-766	WIRING BLOCK (B) ASS'Y	1 INCLUD.4
*	5	305-765	WIRING BLOCK (B) ASS'Y	1 INCLUD.4 FOR GBR (110V)
	6	305-764	INTERNAL WIRE	2
*	7	981-373	TUBE (D)	2 FOR CORD
*	7	959-142	CONNECTOR 50096 (10 PCS.)	2
	8	960-266	CORD CLIP	1
	9	305-812	TAPPING SCREW (W/FLANGE) D4X16 (BLACK)	2
*	10	953-327	CORD ARMOR D8.8	1
*	10	938-051	CORD ARMOR D10.1	1
	11	305-770	TAIL COVER	1
	12	309-470	TAPPING SCREW (W/FLANGE) D4X12 (BLACK)	1
	13	984-750	TAPPING SCREW (W/FLANGE) D4X16	2
	14		HITACHI LABEL	1
*	15	500-234Z	CORD	1 (CORD ARMOR D8.8)
*	15	500-439Z	CORD	1 (CORD ARMOR D8.8) FOR NZL
*	15	500-436Z	CORD	1 (CORD ARMOR D10.1) FOR GBR
*	15	500-395Z	CORD	1 (CORD ARMOR D8.8) FOR SUI
	16	954-014	TAPPING SCREW D4X30	2
	17	316-108	GEAR COVER	1
	18	305-735	HEX. SOCKET HD. BOLT (W/FLANGE) M4X6	2
	19	608-DDW	BALL BEARING 608DDW	1
*	20	360-277C	ARMATURE 110V-115V	1
*	20	360-277E	ARMATURE 220V-230V	1
	21	305-729	FAN GUIDE ASS'Y	1 INCLUD.22
	22	994-343	RUBBER BUSHING	2
*	23	340-249C	STATOR 110V-115V	1
*	23	340-249E	STATOR 220V-230V	1
	24	608-DDM	BALL BEARING 608DDC2PS2L	1
	25	305-732	SLIDE KNOB	1
	26	305-728	HOUSING	1
	27		LABEL (CE MARK) (A)	1
	28		NAME PLATE	1
	29	305-744	CHANGE KNOB	1
	30	982-454	SPRING (C)	1
	31	959-155	STEEL BALL D3.97 (10 PCS.)	1
	32	673-489	RETAINING RING (E-TYPE) FOR D5 SHAFT	1
	33	981-077	WASHER	1
	34	316-125	BASE HANDLE	1
	35	305-756	COVER (A)	1
	36	305-736	TAPPING SCREW (W/FLANGE) D4X65	2
	37	949-219	MACHINE SCREW M4X16 (10 PCS.)	2
	38	316-109	UPPER COVER	1
	39	305-757	COVER (B)	1
	40	307-028	TAPPING SCREW (W/FLANGE) D4X25 (BLACK)	1
	41	316-110	PLUNGER HOLDER ASS'Y	1 INCLUD.61
	42	961-181	PIN D6X47	1
	43	305-751	RUBBER CUSHION	1

**PARTS**

CJ 110VA

ITEM NO.	CODE NO.	DESCRIPTION	NO. USED	REMARKS	
44	316-112	CONNECTOR HOLDER	1		
45	316-111	CONNECTOR	1		
46	305-743	PACKING	1		
47	940-916	CONNECTING PIECE	1		
48	940-917	NEEDLE BEARING NTN K6X9X8T2	1		
49	305-742	WEIGHT HOLDER	1		
50	963-349	WASHER (A)	2		
51	305-741	BALANCE WEIGHT (3 PCS.)	3		
52	305-738	ORBITAL CAM	1		
53	305-737	GEAR	1		
54	957-540	WASHER (A)	1		
55	305-734	SPINDLE	1		
56	316-393	SPECIAL SCREW M3X4	1		
57	316-120	CHIP COVER	1		
58	305-592	NEEDLE D5X19.8	1		
59	316-119	GUIDE ROLLER	1		
60	305-752	SPRING	2		
61	873-095	O-RING (P-16)	1		
62A	318-151	PLUNGER	1		
70	305-749	SEAL LOCK FLAT HD. SCREW M4X10	2		
71	940-079	RETAINING RING FOR D8 SHAFT	1		
72	963-351	WASHER (B)	1		
73	305-755	HEX. SOCKET HD. BOLT (W/FLANGE) M5X12	1		
74	305-739	ORBITAL PIN	1		
75	305-740	FELT	1		
76	316-122	SUB BASE	1		
77	309-175	NYLOCK FLAT HD. SCREW M5X10	4		
78	301-730	WASHER	2		
79	949-811	HEX. SOCKET HD. BOLT M4X8 (10 PCS.)	2		
80	316-121	BASE	1		
81	316-123	BASE LOCKER	1		
82	316-124	BASE BOLT	1		
83	306-895	SPACER	1		
84	305-760	PLATE SPRING	1		

**STANDARD ACCESSORIES**

CJ 110VA

ITEM NO.	CODE NO.	DESCRIPTION	NO. USED	REMARKS
501		BLADES NO.42	1	
502		BLADES NO.46	1	
503		BLADES NO.41	1	
504	306-363	TABLE INSERT (5 PCS.)	1	
* 505	316-126	DUST COLLECTOR	1	FOR GBR,FRG
* 506	307-767	KNOB SCREW M5X10	1	FOR FRA
* 507	302-756	GUIDE	1	FOR FRA
508	317-262	CASE	1	
509	943-277	HEX. BAR WRENCH 3MM	1	

**OPTIONAL ACCESSORIES**

ITEM NO.	CODE NO.	DESCRIPTION	NO. USED	REMARKS
601	879-336	JIG SAW BLADES NO.11 (5 PCS.)	1	
602	879-337	JIG SAW BLADES NO.12 (5 PCS.)	1	
603	879-338	JIG SAW BLADES NO.15 (5 PCS.)	1	
604	879-339	JIG SAW BLADES NO.16 (5 PCS.)	1	
605	879-340	JIG SAW BLADES NO.21 (5 PCS.)	1	
606	879-341	JIG SAW BLADES NO.22 (5 PCS.)	1	
607	950-482	JIG SAW BLADES NO.95 FOR STAINLESS(5PCS)	1	
608	950-480	JIG SAW BLADES NO.96 FOR STAINLESS(5PCS)	1	
609	963-400	JIG SAW BLADES NO.97 FOR STAINLESS(5PCS)	1	
610	963-390	JIG SAW BLADES (A) NO.11 (10 PCS.)	1	
611	963-391	JIG SAW BLADES (A) NO.12 (10 PCS.)	1	
612	963-392	JIG SAW BLADES (A) NO.15 (10 PCS.)	1	
613	963-393	JIG SAW BLADES (A) NO.16 (10 PCS.)	1	
614	963-394	JIG SAW BLADES (A) NO.21 (10 PCS.)	1	
615	963-395	JIG SAW BLADES (A) NO.22 (10 PCS.)	1	
616	950-483	JIG SAW BLADES NO.95 FOR STAINLESS(10PCS)	1	
617	950-481	JIG SAW BLADES NO.96 FOR STAINLESS(10PCS)	1	
618	879-227	JIG SAW BLADES (LONG) 160MM (3 PCS.)	1	
619	305-955	GUIDE ASS'Y	1	
620	305-956	CIRCULAR GUIDE ASS'Y	1	
621	316-126	DUST COLLECTOR	1	
622		BENCH STAND (TR12-B)	1	