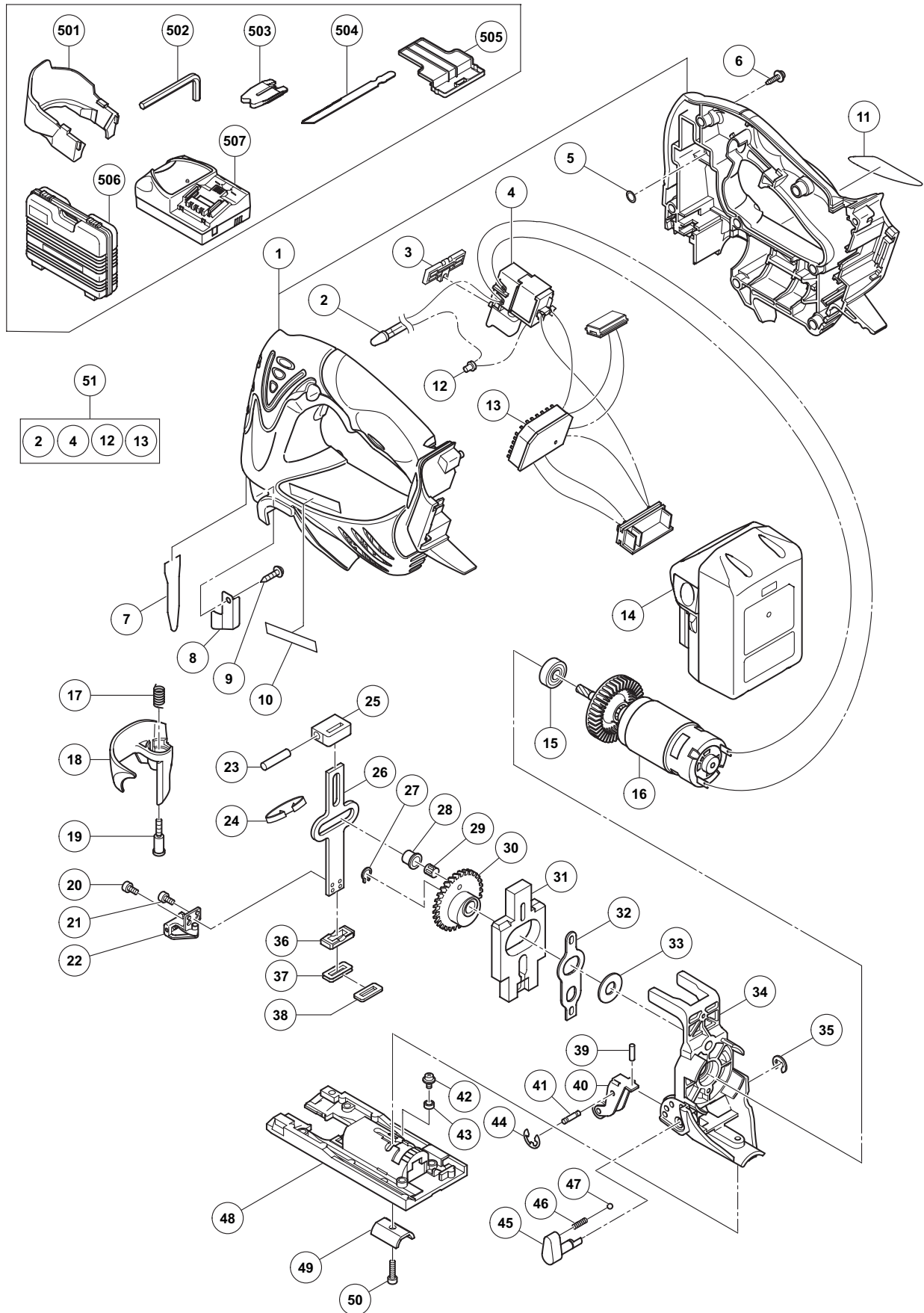


ELECTRIC TOOL PARTS LIST

CORDLESS JIG SAW Model CJ 18DSL

2008·7·9
(E1)



PARTS

CJ 18DSL

ITEM NO.	CODE NO.	DESCRIPTION	NO. USED	REMARKS
1	330-071	HOUSING (A). (B) SET	1	
2	328-336	LED	1	
3	319-760	PUSHING BUTTON	1	
4	328-335	DC-SPEED CONTROL SWITCH	1	
5	984-528	O-RING (P-6)	4	
6	301-653	TAPPING SCREW (W/FLANGE) D4X20 (BLACK)	8	
7	328-349	GUARD BAR	1	
8	321-592	FENCE	1	
9	984-327	TAPPING SCREW (W/SP. WASHER) D3X8	1	
10		HITACHI LABEL	1	
11		NAME PLATE	1	
12	959-140	CONNECTOR 50091 (10 PCS.)	1	
13	330-070	CONTROLLER TERMINAL SET	1	
* 14	330-068	BATTERY BSL 1830 (EUROPE, AUS, NZL)	2	INCLUD. 505
* 14	330-067	BATTERY BSL 1830 (USA, CAN)	1	INCLUD. 505
15	608-VVM	BALL BEARING 608VVC2PS2L	1	
* 16	328-361	MOTOR DC 18V	1	
* 16	328-739	MOTOR DC 18V	1	FOR USA, CAN
17	321-580	LEVER SPRING	1	
18	328-347	LEVER	1	
19	328-348	LEVER BOLT	1	
20	325-241	SEAL LOCK HEX. SOCKET HD. BOLT M3X8	1	
21	325-077	SEAL LOCK HEX. SOCKET HD. BOLT M3X6	1	
22	325-076	BLADE HOLDER	1	
23	983-564	PIN D6	1	
24	325-071	PLATE SPRING	1	
25	325-070	PLUNGER HOLDER (A)	1	
26	328-343	PLUNGER	1	
27	994-251	RETAINING RING FOR D7 SHAFT	1	
28	328-342	CONNECTING PIECE	1	
29	325-242	NEEDLE BEARING	1	
30	328-341	GEAR	1	
31	328-340	BALANCE WEIGHT	1	
32	328-339	ORBITAL CAM	1	
33	957-540	WASHER (A)	1	
34	328-328	GEAR HOLDER	1	
35	673-489	RETAINING RING (E-TYPE) FOR D5 SHAFT	1	
36	328-344	PLUNGER HOLDER (B)	1	
37	328-346	PACKING COVER	1	
38	328-345	PACKING	1	
39	328-329	NEEDLE ROLLER	1	
40	328-330	ROLLER HOLDER	1	
41	328-331	PIN	1	
42	315-500	MACHINE SCREW (W/WASHER) M4X8 (BLACK)	1	
43	321-576	RUBBER BUSHING	1	
44	872-971	RETAINING RING (E-TYPE) FOR D3 SHAFT	2	
45	328-332	CHANGE KNOB	1	
46	982-454	SPRING (C)	1	
47	959-155	STEEL BALL D3.97 (10 PCS.)	1	
48	321-573	BASE	1	

PARTS

CJ 18DSL

ITEM NO.	CODE NO.	DESCRIPTION	NO. USED	REMARKS
49	321-575	BASE LOCKER	1	
50	949-665	HEX. SOCKET HD. BOLT M5X14 (10 PCS.)	1	
51	330-069	SWITCH ASS'Y	1	INCLUD. 2, 4, 12, 13

STANDARD ACCESSORIES

ITEM NO.	CODE NO.	DESCRIPTION	NO. USED	REMARKS
501	328-352	CHIP COVER	1	
502	944-458	HEX. BAR WRENCH 4MM	1	
503	321-590	TABLE INSERT	1	
504	879-357	JIG SAW BLADE NO.41 (5 PCS.)	1	
* 505	329-897	BATTERY COVER	1	FOR EUROPE, AUS, NZL
506	328-351	CASE	1	
507		CHARGER (MODEL UC 18YRSL)	1	

OPTIONAL ACCESSORIES

CJ 18DSL

ITEM NO.	CODE NO.	DESCRIPTION	NO. USED	REMARKS	
601	879-336	JIG SAW BLADES NO.11 (5 PCS.)	1		
602	879-337	JIG SAW BLADES NO.12 (5 PCS.)	1		
603	879-338	JIG SAW BLADES NO.15 (5 PCS.)	1		
604	879-339	JIG SAW BLADES NO.16 (5 PCS.)	1		
605	879-340	JIG SAW BLADES NO.21 (5 PCS.)	1		
606	879-341	JIG SAW BLADES NO.22 (5 PCS.)	1		
607	963-400	JIG SAW BLADES NO.97 FOR STAINLESS (5PCS)	1		
608	321-593	GUIDE	1		
609	321-992	SUB BASE (A) SET (STEEL)	1	INCLUD. 611	
610	321-993	SUB BASE (B) SET (PLASTIC)	1	INCLUD. 611	
611	321-996	SPECIAL BOLT	4		
612	321-591	DUST COLLECTOR	1		
613	325-149	GREASE (MOLUB-ALLOY NO.777-1) 75G	1		