

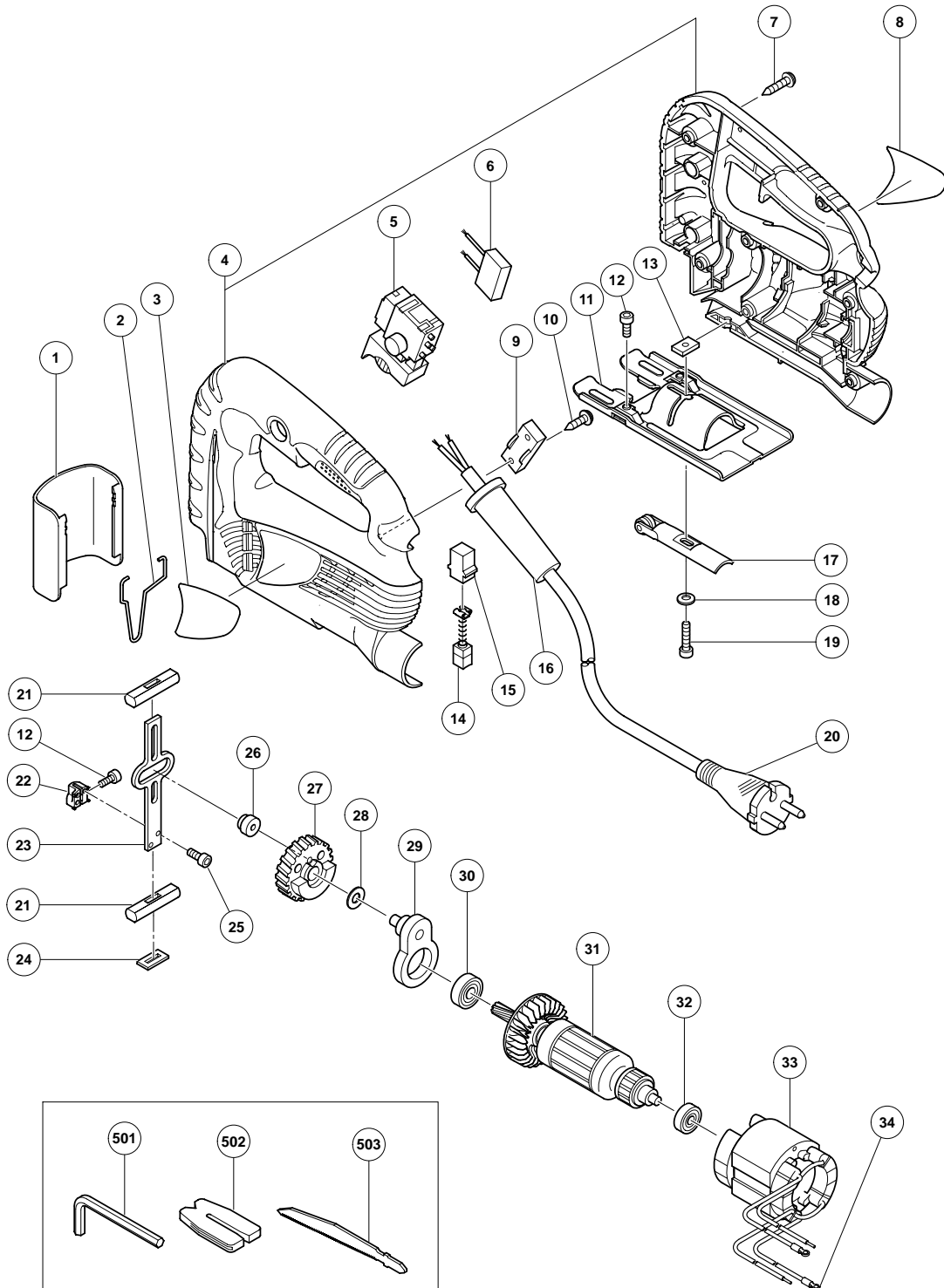
ELECTRIC TOOL PARTS LIST

■ JIG SAW

2005 • 10 • 12

Model CJ 65V3

(E1)



PARTS

CJ 65V3

ITEM NO.	CODE NO.	DESCRIPTION	NO. USED	REMARKS
1	325-163	CHIP COVER	1	
2	325-164	GUARD BAR	1	
3		HITACHI LABEL	1	
4	325-167	HOUSING (A).(B) SET	1	
5	323-086	SWITCH (1P PILLAR TYPE)	1	
6	930-039	NOISE SUPPRESSOR	1	
7	301-653	TAPPING SCREW (W/FLANGE) D4X20 (BLACK)	7	
8		NAME PLATE	1	
9	960-266	CORD CLIP	1	
10	984-750	TAPPING SCREW (W/FLANGE) D4X16	2	
11	325-161	BASE	1	
12	949-811	HEX. SOCKET HD. BOLT M4X8 (10 PCS.)	2	
13	962-991	PLATE NUT	1	
14	999-041	CARBON BRUSH (1 PAIR)	2	
15	930-483	BRUSH HOLDER	2	
16	930-487	CORD ARMOR D8.2	1	
17	325-162	ROLLER HOLDER	1	
18	323-210	BOLT WASHER M4 (BLACK)	1	
19	949-754	HEX. SOCKET HD. BOLT M4X16 (10 PCS.)	1	
20	500-409Z	CORD	1	
21	325-159	PLUNGER HOLDER	2	
22	325-247	BLADE HOLDER	1	
23	325-246	PLUNGER	1	
24	325-248	FELT	1	
25	325-241	SEAL LOCK HEX. SOCKET HD. BOLT M3X8	2	
26	325-158	CONNECTING PIECE	1	
27	325-157	GEAR	1	
28	991-733	WASHER (C)	1	
29	325-155	HOLDER	1	
30	608-VVM	BALL BEARING 608VVC2PS2L	1	
31	360-724E	ARMATURE 220V-230V	1	
32	626-VVM	BALL BEARING 626VVC2PS2L	1	
33	340-631E	STATOR ASS'Y 220V-230V	1	INCLUD. 34
34	960-356	TERMINAL (A) M3.5 (10 PCS.)	2	

STANDARD ACCESSORIES

CJ 65V3

ITEM NO.	CODE NO.	DESCRIPTION	NO. USED	REMARKS
501	943-277	HEX. BAR WRENCH 3MM	1	
502	305-810	TABLE INSERT	1	
503	879-356	JIG SAW BLADES NO. 31 (5 PCS.)	1	

OPTIONAL ACCESSORIES

ITEM NO.	CODE NO.	DESCRIPTION	NO. USED	REMARKS
601	879-330	JIG SAW BLADES NO. 1 (5 PCS.)	1	
602	879-331	JIG SAW BLADES NO. 2 (5 PCS.)	1	
603	879-332	JIG SAW BLADES NO. 3 (5 PCS.)	1	
604	879-333	JIG SAW BLADES NO. 4 (5 PCS.)	1	
605	879-334	JIG SAW BLADES NO. 5 (5 PCS.)	1	
606	879-335	JIG SAW BLADES NO. 6 (5 PCS.)	1	
607	879-357	JIG SAW BLADE NO. 41 (5 PCS.)	1	
608	879-391	GUIDE FOR JIG SAW	1	

ITEM NO.	CODE NO.	DESCRIPTION	NO. USED	REMARKS	