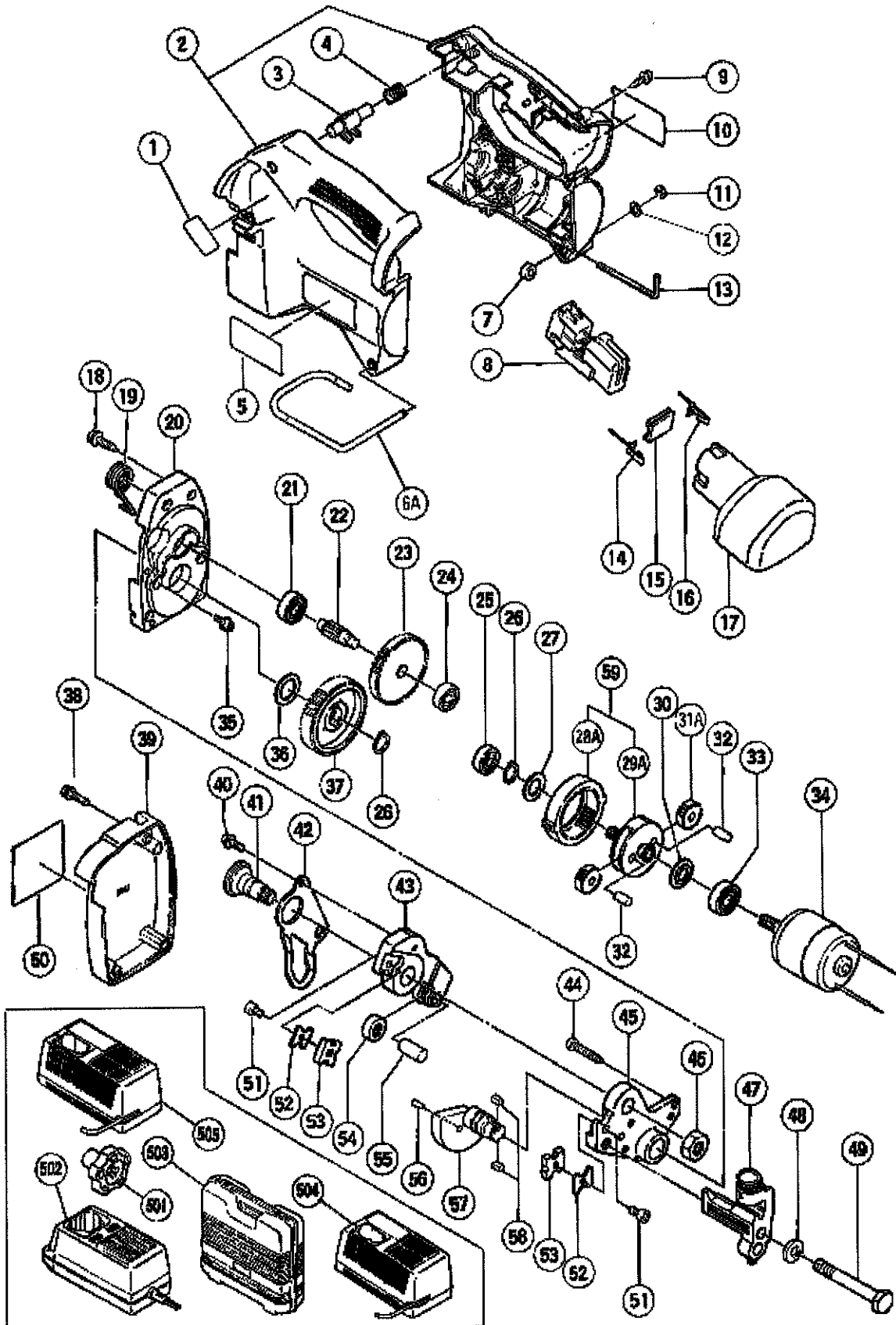


## ELECTRIC TOOL PARTS LIST

■ CORDLESS STUD CUTTER  
Model CL 10D

2002-6-1

(E1-2)



## PARTS

CL10D

ITEM No.	CODE No.	DESCRIPTION	No. USED	REMARKS
1		CAUTION PLATE (C)	1	
2	309-179	HOUSING (A).(B) SET	1	
3	307-604	PUSHING BUTTON	1	
4	307-605	SPRING	1	
5		HITACHI LABEL	1	
6A	319-401	HOOK	1	
7	307-607	WRENCH HOLDER	1	
8	307-627	SWITCH	1	
9	301-653	TAPPING SCREW (W/FLANGE) D4X20 (BLACK)	9	
* 10		NAME PLATE	1	
11	968-643	RETAINING RING (E-TYPE) FOR D4 SHAFT	1	
12	949-424	WASHER M5 (10 PCS.)	1	TILL 3.2001
13	944-458	HEX. BAR WRENCH 4MM	1	
14	307-629	TERMINAL	1	
15	991-666	TERMINAL SUPPORT	1	
16	307-628	TERMINAL	1	
* 17	991-643Z	BATTERY EB 9 (W/FRENCH N.P.)	1	FOR FRA
* 17	991-681	BATTERY EB 9 (W/ENGLISH N.P.)	1	FOR EUROPE (EXCEPT FOR FRA)
* 17	310-377	BATTERY EB 9B (W/ENGLISH N.P.)	1	FOR EUROPE
18	305-558	TAPPING SCREW (W/FLANGE) D5X25 (BLACK)	4	
19	307-624	RETURN SPRING	1	
20	307-622	GEAR COVER	1	
21	629-VVM	BALL BEARING 629VVC2PS2L	1	
22	307-613	THIRD PINION	1	
23	307-612	SECOND GEAR	1	
24	608-VVM	BALL BEARING 608VVC2PS2L	1	
25	609-VVM	BALL BEARING 609VVC2PS2L	1	
26	939-544	RETAINING RING FOR D15 SHAFT (10 PCS.)	2	
27	302-714	WASHER	1	
28A	310-254	RING GEAR	1	SINCE 11.1998
29A	317-471	SECOND PINION	1	SINCE 11.1998
30	307-608	WASHER	1	
31A	318-447	IDLE GEAR SET (2 PCS)	2	
32	307-609	NEEDLE	2	
33	600-1VV	BALL BEARING 6001VVCMP2L	1	
34	307-626	MOTOR	1	
35	998-471	HEX. SOCKET HD. BOLT M5X12	3	
36	985-979	WASHER (B)	1	

\*ALTERNATIVE PARTS

-- 2--

## PARTS

CL10D

ITEM No.	CODE No.	DESCRIPTION	No. USED	REMARKS
37	307-614	FINAL GEAR	1	
38	307-606	MACHINE SCREW (W/WASHERS) M4X20 (BLACK)	2	
39	307-623	COVER	1	
40	987-203	SEAL LOCK SCREW (W/SP. WASHER) M4X12	1	
41	307-617	BOLT (A)	1	
42	307-619	RETURN PLATE	1	
43	307-618	BRACKET (A)	1	
44	931-875	TAPPING SCREW D5X35	2	
45	307-616	BRACKET (B)	1	
46	949-574	LOCK NUT M12 (10 PCS.)	1	
47	309-180	STUD GUIDE ASS'Y	1	INCLUD.48,49
48	949-458	SPRING WASHER M10 (10 PCS.)	1	
49	309-621	BOLT W3/8X75	1	
50		CAUTION PLATE (D)	1	
51	998-486	SPECIAL BOLT M5X9	2	
52	308-779	SPACER M8 (10 PCS.)	2	
53	308-564	CUTTER ASSY M8 (1 PAIR)	2	INCLUD.52
54	307-620	ROLLER (A)	1	
55	307-621	ROLLER PIN	1	
56	949-770	ROLL PIN D4X14 (10 PCS.)	1	
57	307-615	CAM SHAFT	1	
58	984-487	FEATHER KEY 5X5X8	2	
59	317-472	SECOND PINION ASS'Y	1	INCLUD.28A,29A (TILL 12.1998)

## STANDARD ACCESSORIES

ITEM No.	CODE No.	DESCRIPTION	No. USED	REMARKS
501	308-569	TRIMMER M8	1	
* 502		CHARGER (MODEL UC 12Y)	1	DEPENDING ON ORDER SPEC.
503	310-260	CASE	1	
* 504		CHARGER (MODEL UC 14YF)	1	DEPENDING ON ORDER SPEC.
* 505		CHARGER (MODEL UC 14YF2)	1	DEPENDING ON ORDER SPEC.

\*ALTERNATIVE PARTS