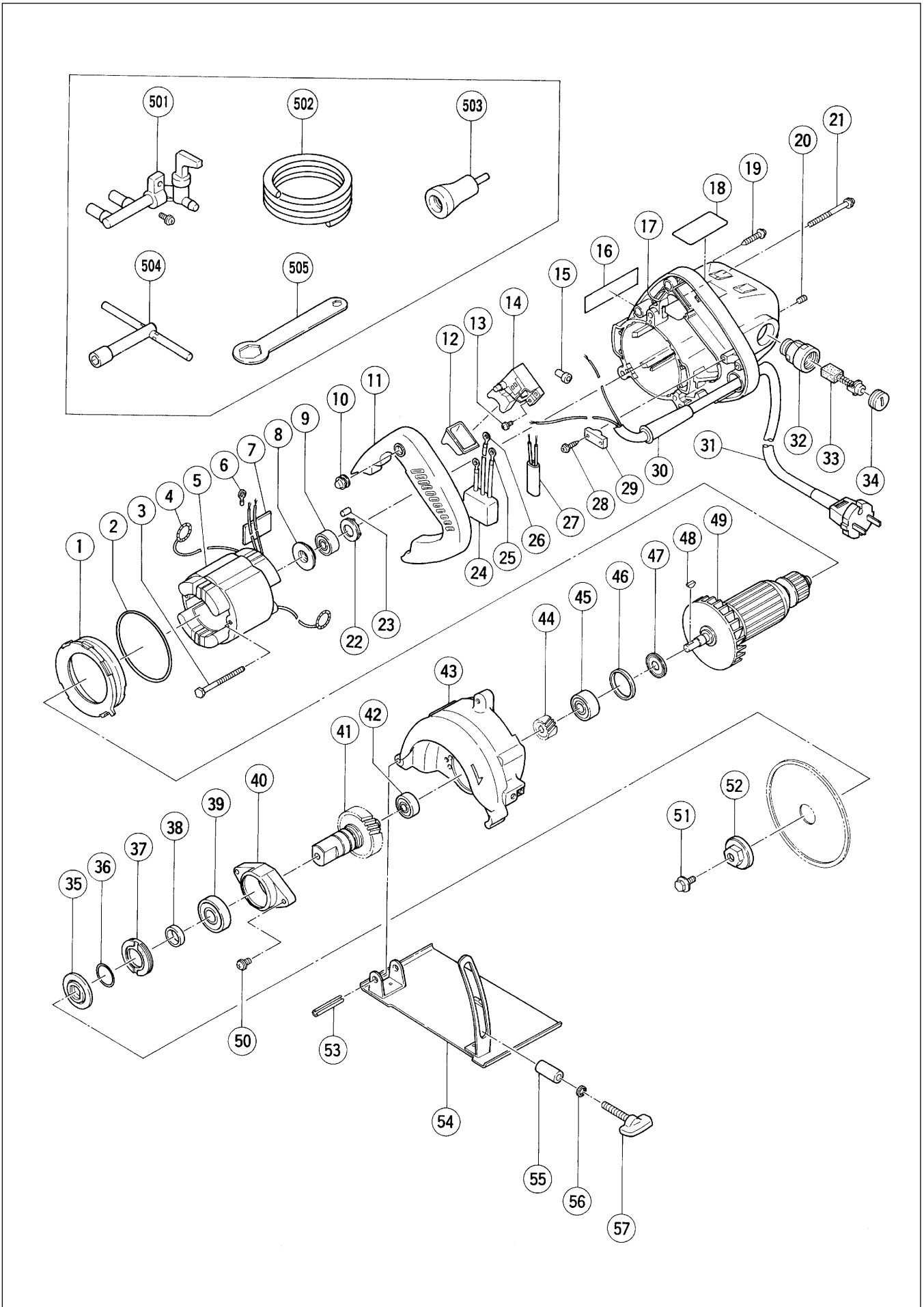


# Assembly Diagram for CM 4SB



## PARTS

CM 4SB

ITEM NO.	CODE NO.	DESCRIPTION	NO. USED	REMARKS
1	317-758	FAN GUIDE	1	
2	317-756	O-RING	1	
3	960-251	HEX. HD. TAPPING SCREW D5X65	2	
4	930-703	BRUSH TERMINAL	2	
*	5	340-439C	STATOR ASS'Y 110V	1 INCLUD.4
*	5	340-439E	STATOR ASS'Y 220V-230V	1 INCLUD.4
*	5	340-439F	STATOR ASS'Y 240V	1 INCLUD.4
*	5	340-439J	STATOR ASS'Y 220V	1 INCLUD.4 FOR HKG
*	5	340-439K	STATOR ASS'Y 220V	1 INCLUD.4 FOR CHN
*	5	340-439G	STATOR ASS'Y 230V	1 INCLUD.4 FOR NZL
6	980-063	TERMINAL	1	FOR CORD
7	983-858	SEAL PACKING	1	
8	317-757	DUST SEAL	1	
9	608-VVM	BALL BEARING 608VVMC2EPS2L	1	
*	10	956-866	RUBBER COVER (B)	1 FOR TPE,INA,SYR,SIN,HKG,KUW,CHN
*	11	317-761	HANDLE COVER ASS'Y	1 INCLUD.10
*	11	317-762	HANDLE COVER	1 FOR NZL
12	303-328	SWITCH RUBBER COVER	1	
13	305-499	MACHINE SCREW (W/WASHER) M3.5X6	4	
*	14	957-747	SWITCH (A) (1P SCREW TYPE) W/LOCK	1 FOR INA,SYR,SIN,KUW
*	14	302-477	SWITCH (C) (1P SCREW TYPE) W/LOCK	1 FOR TPE,HKG,CHN
*	15	959-141	CONNECTOR 50092 (10 PCS.)	2 FOR INA,SYR,SIN,KUW,NZL
16		HITACHI LABEL	1	
17	317-752	HOUSING ASS'Y	1	INCLUD.20,32
18		NAME PLATE	1	
19	301-653	TAPPING SCREW (W/FLANGE) D4X20 (BLACK)	3	
20	938-477	HEX. SOCKET SET SCREW M5X8	2	
21	317-751	MACHINE SCREW (W/WASHERS) M5X25	3	
22	317-755	THRUST WASHER	1	
23	931-701	BEARING LOCK	1	
*	24	997-174	NOISE SUPPRESSOR	1 FOR NZL
*	24	994-273	NOISE SUPPRESSOR	1 FOR TPE,CHN
*	25	960-356	TERMINAL (A) M3.5 (10 PCS.)	1 FOR NOISE SUPPRESSOR (FOR NZL)
*	25	980-063	TERMINAL	2 FOR NOISE SUPPRESSOR (FOR TPE,CHN)
*	26	938-108	TERMINAL	1 FOR NOISE SUPPRESSOR (FOR TPE,CHN)
*	27	308-093	CHOKE COIL	1 FOR NZL
28	984-750	TAPPING SCREW (W/FLANGE) D4X16	2	
29	960-266	CORD CLIP	1	
*	30	953-327	CORD ARMOR D8.8	1
*	30	938-051	CORD ARMOR D10.1	1
*	31	500-455Z	CORD	1 (CORD ARMOR D8.8)
*	31	500-234Z	CORD	1 (CORD ARMOR D8.8) FOR INA
*	31	500-447Z	CORD	1 (CORD ARMOR D8.8) FOR SYR
*	31	500-423Z	CORD	1 (CORD ARMOR D8.8) FOR SIN,KUW
*	31	500-439Z	CORD	1 (CORD ARMOR D8.8) FOR NZL
*	31	500-409Z	CORD	1 (CORD ARMOR D8.8) FOR CHN
*	31	500-435Z	CORD	1 (CORD ARMOR D8.8) FOR HKG
*	31	500-214Z	CORD	1 (CORD ARMOR D10.1) FOR TPE
32	958-900	BRUSH HOLDER	2	
33	999-043	CARBON BRUSH (1 PAIR)	2	
34	945-161	BRUSH CAP	2	

\* : ALTERNATIVE PARTS

2 - 99

**PARTS**

**CM 4SB**

<b>ITEM NO.</b>	<b>CODE NO.</b>	<b>DESCRIPTION</b>	<b>NO. USED</b>	<b>REMARKS</b>
35	956-879	WASHER (B)	1	
36	944-486	O-RING (1AP-20)	1	
37	956-872	BEARING CAP	1	
38	303-323	DISTANCE PIECE	1	
39	600-2VV	BALL BEARING 6002VVCMP2S	1	
40	956-871	BEARING HOLDER	1	
41	317-754	SPINDLE AND GEAR SET	1	
42	606-ZZM	BALL BEARING 606ZZMC3PS2S	1	
43	317-760	GEAR COVER	1	
44	317-753	PINION	1	
45	629-VVM	BALL BEARING 629VVMC2EPS2L	1	
46	957-754	RUBBER RING	1	
47	958-915	WASHER (A)	1	
48	940-220	WOODRUFF KEY 2.5X8	1	
* 49	360-495C	ARMATURE 110V	1	
* 49	360-495E	ARMATURE 220V-230V	1	
* 49	360-495F	ARMATURE 240V	1	
50	303-327	SEAL LOCK SCREW (W/SP. WASHER) M5X25	2	
51	303-326	BOLT (LEFT HAND) M7X15	1	
52	956-878	WASHER (A)	1	
53	949-576	ROLL PIN D6X32 (10 PCS.)	1	
54	317-759	BASE	1	
55	303-330	SLEEVE	1	
56	949-455	SPRING WASHER M6 (10 PCS.)	1	
57	303-331	WING BOLT M6X37	1	

