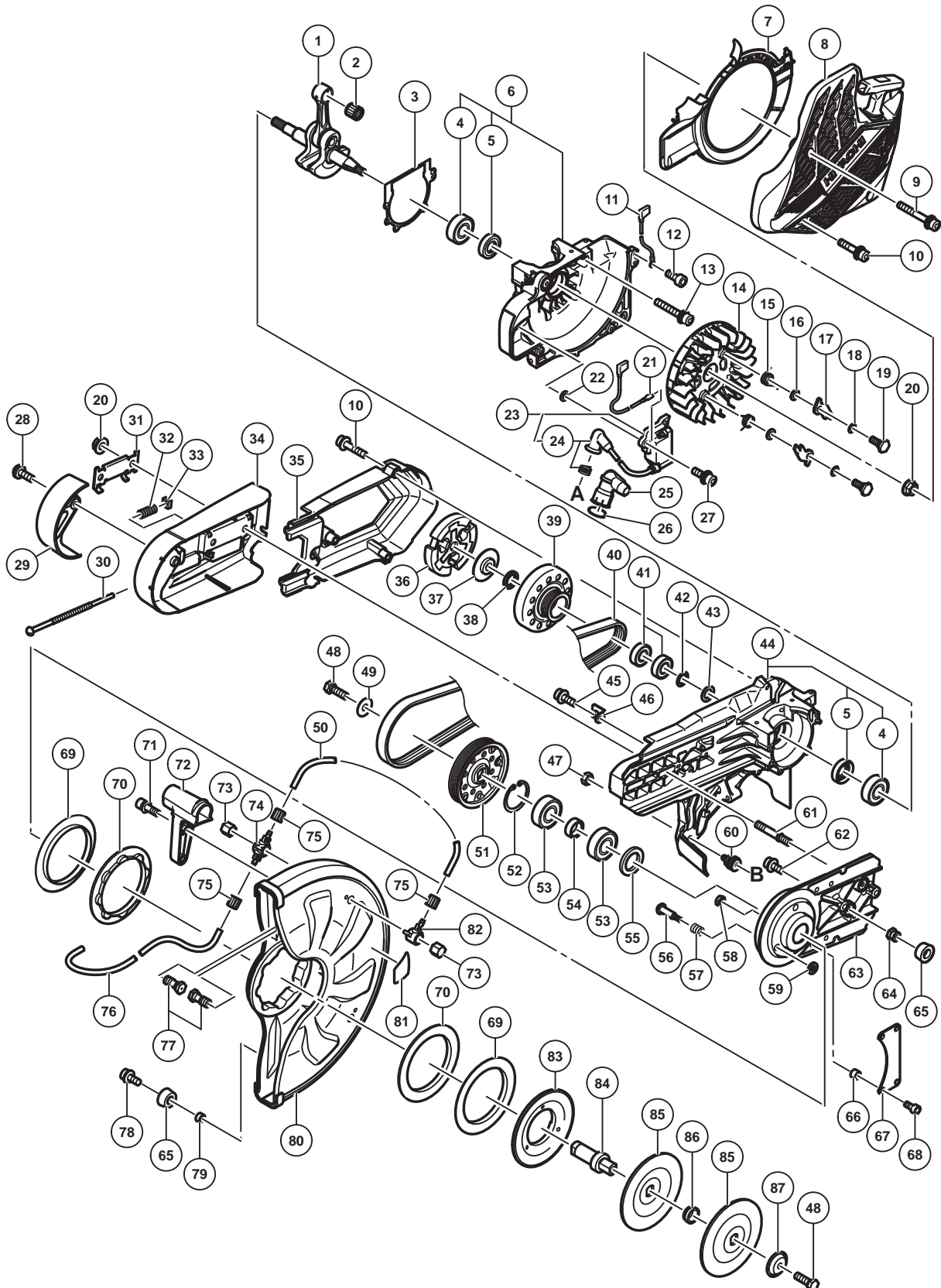
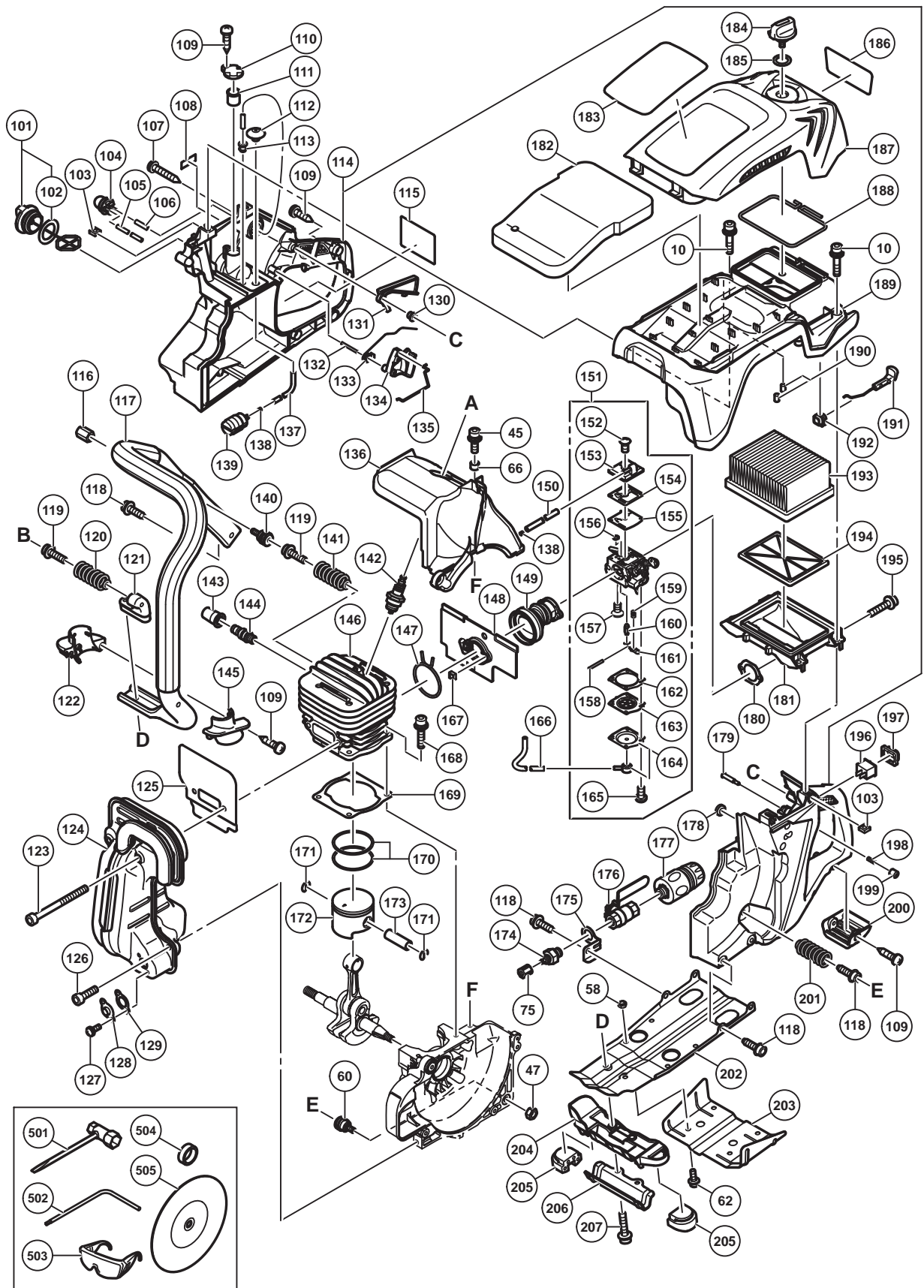


## ENGINE TOOL PARTS LIST

ENGINE CUTTER  
Model CM 75EAP

2014.9.12  
(E1)





**PARTS**

CM 75EAP

ITEM NO.	CODE NO.	DESCRIPTION	NO. USED	REMARKS
1	6699801	CRANK SHAFT	1	
2	6699803	NEEDLE BEARING (A)	1	
3	6699800	CRANK CASE PACKING	1	
4	6202C3	BALL BEARING 6202C3	2	
5	6698914	OIL SEAL	2	
6	6600364	CRANK CASE (A)	1	INCLUD.4,5
7	6699875	FAN GUIDE	1	
8	6699876	RECOIL STARTER	1	
9	6600374	SET BOLT M5	1	
10	6699871	SET BOLT M5 X 25	10	
11	6699813	EARTH CORD	1	
12	949812	HEX. SOCKET HD. BOLT M4 X 10 (10 PCS.)	1	
13	6600365	SEAL LOCK HEX. SOCKET HD. BOLT M5	4	
14	6699808	MAGNETO ROTOR	1	
15	6699810	STARTER PAWL SPRING	2	
16	6696857	WASHER 0.8	2	
17	6699811	STARTER PAWL	2	
18	6696434	SHIM	2	
19	6696878	STEP BOLT	2	
20	6698581	FLANGE NUT M8	3	
21	6699812	CORD	1	
22	6698700	GLASS WASHER	2	
23	6699809	IGNITION COIL ASS'Y	1	INCLUD.24
24		PLUG CAP CORD	1	
* 25	6699814	SHIELD COVER	1	EXCEPT FOR USA
* 26	6600373	SHIELD COVER RING	1	EXCEPT FOR USA
27	6698388	HEX. SOCKET HD. BOLT (W/WASHERS) M4 X 18	2	
28	6699909	SEAL LOCK HEX. SOCKET BUTTON BOLT M5 X 10	1	
29	6699908	COVER PLATE	1	
30	6699907	TENSIONER BOLT	1	
31	6699904	TENSIONER PLATE	1	
32	6699906	TENSIONER SPRING	1	
33	6699905	TENSION NUT	1	
34	6699903	ARM COVER	1	
35	6699878	CLUTCH COVER	1	
36	6699823	CLUTCH	1	
37	6699822	CLUTCH FLANGE	1	
38	301946	FELT PACKING	1	
39	6699821	CLUTCH HOUSING	1	
40	6699877	BELT	1	
41	6001DD	BALL BEARING 6001DDCMPS2L	2	
42	6696946	SHIM T0.2	1	
43	6685072	BOLT WASHER M12	1	
44	6600366	CRANK CASE (B)	1	INCLUD.4,5
45	6699826	HEX. SOCKET HD. BOLT (W/WASHERS) M5 X 16	3	
46	6699825	TENSIONER BASE	1	
47	6698449	NUT M6	2	
48	6699902	BOLT M8	2	
49	6684924	WASHER 8.1 X 30	1	
50	6699910	WATER SUPPLY HOSE	1	

## PARTS

CM 75EAP

ITEM NO.	CODE NO.	DESCRIPTION	NO. USED	REMARKS
51	6699899	PULLEY (B)	1	
52	948391	RETAINING RING FOR D40 HOLE	1	
53	6203DD	BALL BEARING 6203DDCMPS2L	2	
54	6699880	BB COLLAR	1	
55	6699879	FELT	1	
56	6699896	BOLT M5 (S)	3	
57	6699895	WHEEL GUARD SPRING	3	
58	949566	LOCK NUT M5 (10 PCS.)	8	
59	949425	WASHER M6 (10 PCS.)	3	
60	6699850	SPRING HOLDER	2	
61	6699881	CHAIN BAR BOLT	2	
62	6699176	HEX. SOCKET HD. BOLT (W/SP.WASHER) M5 X 12	5	
63	6600367	ARM	1	
64	6699883	STOPPER HOLDER	1	
65	6600368	STOPPER RUBBER	2	
66	6699866	COLLAR	6	
67	6600396	ARM PLATE	1	
68	6696836	HEX. SOCKET HD. BOLT M5 X 12 (PRECOAT)	4	
69	6699885	PLATE (A)	2	
70	6699886	DAMPER (A)	2	
71	6699889	SET BOLT M5 X 16	2	
72	6699888	HANDLE (W)	1	
73	6699892	CAP NUT	2	
74	6699891	WATER SUPPLY JOINT (B)	1	
75	6699912	LOCK NUT	4	
76	6699911	WATER SUPPLY HOSE	1	
77	6699893	NOZZLE BOLT	2	
78	996399	HEX. SOCKET HD. BOLT (W/FLANGE) M5 X 12	1	
79	6600375	STOPPER HOLDER (B)	1	
80	6699887	WHEEL GUARD (12")	1	
81	6600376	WHEEL MARK LABEL (12")	1	
82	6699890	WATER SUPPLY JOINT (A)	1	
83	6699894	FLANGE (A)	1	
84	6699882	SPINDLE	1	
85	6699897	WHEEL WASHER	2	
86	6699898	SPINDLE COLLAR	1	
87	6699901	FLANGE WASHER	1	
101	6600369	TANK CAP	1	INCLUD.102
102	6685179	TANK CAP PACKING	1	
103	6699828	SQUARE NUT M5	4	
104	6685139	PRIMING PUMP COMP.	1	
105	6698722	FUEL PIPE	1	
106	6699837	FUEL PIPE (PINK)	1	
107	304035	TAPPING SCREW (W/FLANGE) D4 X 25 (BLACK)	1	
* 108	6698921	TANK MARK LABEL (50:1)	1	
* 108	6698922	TANK MARK LABEL (25:1)	1	FOR ASIA
109	305812	TAPPING SCREW (W/FLANGE) D4 X 16 (BLACK)	8	
110	6699838	AIR VENT CAP	1	
111	6600370	INNER CAP (B)	1	
112	6698931	FUEL GROMMET	1	

**PARTS**

CM 75EAP

ITEM NO.	CODE NO.	DESCRIPTION	NO. USED	REMARKS
113	6697846	RETURN GROMMET	1	
114	6699827	REAR HANDLE SET	1	
115		NAME PLATE	1	
116	6699852	LONG NUT M6	1	
117	6699842	FRONT HANDLE	1	
118	6696872	FLANGED TAPPING SCREW D6	7	
119	881722	HEX. SOCKET HD. BOLT (W/FLANGE) M6 X 20	2	
120	6699849	ANTIVIBRATION SPRING	1	
121	6699847	FRONT ADAPTER	1	
122	6699844	GRIP END (B)	1	
123	6699819	HEX. SOCKET HD. BOLT M6 X 50	2	
124	6699816	MUFFLER	1	
125	6699815	HEAT PROTECTION PLATE	1	
126	6698899	SEAL LOCK HEX. SOCKET HD. BOLT M6 X 20	2	
127	6685068	MACHINE SCREW (W/SP. WASHER) M4 X 12	2	
128	6699818	EXHAUST PIPE	1	
129	6699817	EXHAUST GASKET	1	
130	6699836	TRIGGER LOCKOUT COLLAR	1	
131	6699835	TRIGGER LOCKOUT	1	
132	6699834	NEEDLE PIN D3	1	
133	6699833	THROTTLE LEVER SPRING	1	
134	6699832	THROTTLE LEVER	1	
135	6699863	THROTTLE ROD	1	
136	6699865	CYLINDER COVER	1	
* 137	6698908	FUEL PIPE	1	
* 137	6698930	FUEL PIPE	1	FOR USA
138	6685311	CLIP	2	
139	6692285	PUMP FILTER BODY	1	
140	6699851	SPRING HOLDER	1	
141	6699824	ANTIVIBRATION SPRING	1	
142	6699320	SPARK PLUG ASS'Y BPMR7A	1	
143	6600378	DECOMP CAP	1	
144	6698541	DECOMP.	1	
145	6699843	GRIP END (A)	1	
146	6600371	CYLINDER	1	
147	6699862	INSULATOR CLIP	1	
148	6699858	INSULATOR PLATE	1	
149	6699860	CARBURETOR INSULATOR	1	
150	6699857	FUEL PIPE (FKM)	1	
151	6699856	CARBURETOR ASS'Y (C3M)	1	INCLUD.152-165
152	6600385	SCREW (D)	1	
153	6600386	PUMP COVER	1	
154	6600387	PUMP GASKET	1	
155	6600388	PUMP DIAPHRAGM	1	
156	6600389	STRAINER	1	
157	6600390	SCREW (E)	1	
158	6699082	PIN	1	
159	6600391	METEALING LEVER SPRING	1	
160	6699081	INLET NEEDLE VALVE	1	
161	6699084	METEALING LEVER	1	

**PARTS**

CM 75EAP

ITEM NO.	CODE NO.	DESCRIPTION	NO. USED	REMARKS
162	6600392	METEALING CHAMBER GASKET	1	
163	6600393	METEALING DIAPHRAGM	1	
164	6600394	METALING CHAMBER COVER	1	
165	6699094	SET SCREW (C)	4	
166	6698873	FUEL PIPE	1	
167	6699859	SQUARE NUT (B) M5	2	
168	991712	HEX. SOCKET HD. BOLT (W/FLANGE) M6 X 25	4	
169	6600397	CYLINDER PACKING (C)	1	
170	6699806	PISTON RING	2	
171	6699805	CIR CLIP	2	
172	6699804	PISTON (51.5)	1	
173	6699802	PISTON PIN	1	
174	6699913	WATER SUPPLY CONNECTOR	1	
175	6699914	MOUNTING PLATE	1	
176	6699915	VALVE	1	
*	177	6699916	COUPLER	1
*	177	6699917	COUPLER	1 FOR USA
	178	6698787	GROMMET	1
	179	6699829	THROTTLE LOCK PIN	1
	180	6699855	CARBURETOR PACKING	1
	181	6699854	CARBURETOR BRACKET	1
	182	6699872	PRE FILTER	1
*	183		CAUTION LABEL (EURO)	1
*	183		CAUTION LABEL (USA)	1
*	183	6600382	CAUTION LABEL (ENG)	1
*	183	6600383	CAUTION LABEL (BRA)	1 FOR MEX,BRA
	184	6699874	CLEANER KNOB	1
	185	6698570	KNOB PACKING	1
	186	6600381	START LABEL (CM75) (EX)	1
	187	6699873	CLEANER BOX (B)	1
	188	6699870	RUBBER ROPE	1
	189	6699869	CLEANER BOX (A)	1
	190	931701	BEARING LOCK	2
	191	6699864	CHOKE BUTTON	1
	192	6685369	CHOKE ROD RUBBER	1
	193	6699868	PAPER FILTER	1
	194	6699867	NYLON FILTER	1
	195	6699861	HEX. SOCKET HD. BOLT (W/WASHERS) M5 X 55	2
	196	6696940	STOP SWITCH	1
	197	6698400	SWITCH COVER	1
	198	6699830	THROTTLE LOCK PIN SPRING	1
	199	6699831	THROTTLE LOCK PIN CAP	1
	200	6699839	REAR FOOT	1
	201	6699840	ANTIVIBRATION SPRING	1
	202	6699841	LOWER GUARD	1
	203	6600395	MUFFLER GUARD	1
	204	6699845	FRONT FOOT HOLDER	1
	205	6699846	FRONT FOOT RUBBER	2
	206	6699848	FRONT FOOT PLATE	1
	207	6600372	HEX. SOCKET HD. BOLT (W/WASHERS) M5	2

