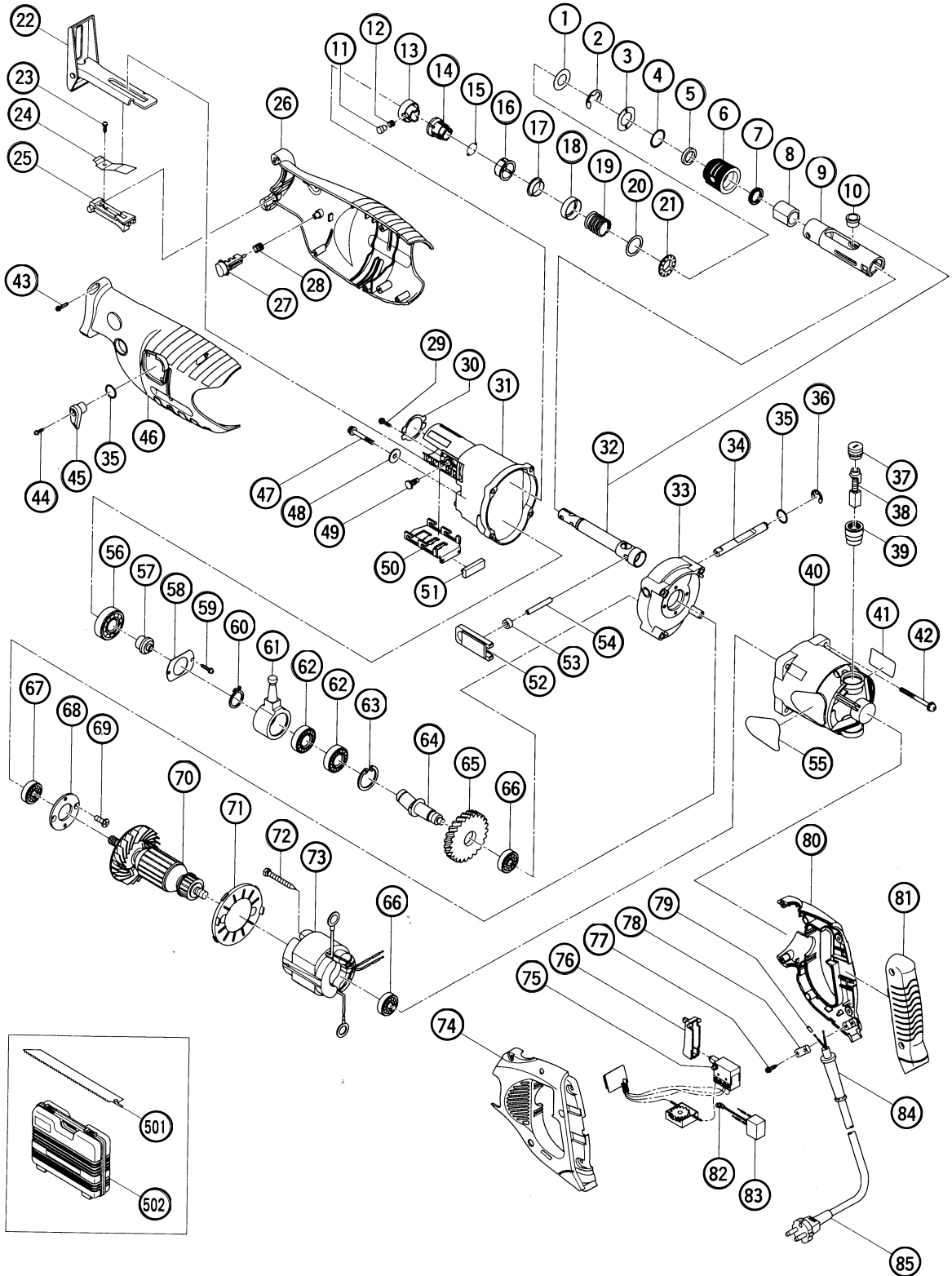


ELECTRIC TOOL PARTS LIST

■ SABER SAW
Model CR 13VA

1999.12.20
(E1)



PARTS

CR 13VA

ITEM NO.	CODE NO.	DESCRIPTION	NO. USED	REMARKS	
1	318-484	WASHER (E)	1		
2	318-453	RETAINING RING (E-TYPE) FOR D14 SHAFT	1		
3	318-457	WASHER (F)	1		
4	878-609	O-RING (S-24)	1		
5	318-458	FELT WASHER	1		
6	318-460	SEAL SLEEVE	1		
7	318-459	V-RING	1		
8	318-463	METAL (A)	1		
9	318-462	GUIDE SLEEVE ASS'Y	1	INCLUD.8	
10		PLUNGER SLEEVE	1		
11	318-481	HOLDER PIN	1		
12	318-483	SPRING (B)	1		
13	318-478	HOLDER SLEEVE (A)	1		
14	318-479	HOLDER SLEEVE (B)	1		
15	959-149	STEEL BALL D4.76 (10 PCS.)	2		
16	318-480	HOLDER SLEEVE (C)	1		
17	318-477	GUIDE WASHER	1		
18	318-487	DUST WASHER	1		
19	318-482	SPRING (A)	1		
20	318-486	WASHER (D)	1		
21	318-485	THRUST BEARING	1		
22	318-455	BASE	1		
23	310-222	TAPPING SCREW D4X8	1		
24	318-495	HOLDER SPRING	1		
25	318-497	BASE LEVER	1		
26	318-471	FRONT COVER (B)	1		
27	318-496	PUSHING BUTTON	1		
28	318-494	SPRING (C)	1		
29	677-495	FT-MACHINE SCREW M4X6	2		
30	318-456	FELT COVER	1		
31	318-468	GEAR COVER	1		
32	318-824	PLUNGER (A) SET	1	INCLUD.10	
33	318-469	INNER COVER (A)	1		
34	318-489	CHANGE SHAFT	1		
35	872-654	O-RING (1AP-10)	2		
36	974-577	RETAINING RING (E-TYPE) FOR D7 SHAFT	1		
37	945-161	BRUSH CAP	2		
38	999-043	CARBON BRUSH (1 PAIR)	2		
39	958-900	BRUSH HOLDER	2		
40	318-506	HOUSING (GREEN)	1		
41		NAME PLATE	1		
42	307-224	MACHINE SCREW (W/WASHERS) M5X60 (BLACK)	4		
43	307-028	TAPPING SCREW (W/FLANGE) D4X25 (BLACK)	11		
44	303-851	SEAL LOCK SCREW (W/WASHERS) M4X10 (BLACK)	1		
45	318-490	CHANGE KNOB	1		
46	318-470	FRONT COVER (A)	1		
47	318-451	NYLOCK BOLT (W/FLANGE) M6X35	1		
48	318-452	WASHER (G)	1		
49	318-493	BOLT M10	2		
50	318-454	BASE ADAPTER	1		
51	318-461	CUSHION RUBBER	1		

* : ALTERNATIVE PARTS

12 - 99

ITEM NO.	CODE NO.	DESCRIPTION	NO. USED	REMARKS	
52	318-488	SWING RAIL	2		
53	318-492	SWING ROLLER	2		
54	318-491	PIN D6	1		
55		HITACHI LABEL	1		
56	600-3DD	BALL BEARING 6003DDCMPS2S	1		
57	318-475	SUB SHAFT	1		
58	318-476	BEARING COVER (B)	1		
59	949-216	MACHINE SCREW M4X10 (10 PCS.)	2		
60	967-261	RETAINING RING FOR D17 SHAFT	1		
61	318-466	RECIPRO PLATE	1		
62	600-3VV	BALL BEARING 6003VVCMP2L	2		
63	939-556	RETAINING RING FOR D35 HOLE (10 PCS.)	1		
64	318-474	SECOND SHAFT (A)	1		
65	318-473	GEAR	1		
66	608-VVM	BALL BEARING 608VVC2PS2L	2		
67	600-1VV	BALL BEARING 6001VVCMP2L	1		
68	302-435	BEARING COVER	1		
69	949-321	FLAT HD. SCREW M4X8 (10 PCS.)	2		
*	70	360-514C	ARMATURE 110V-115V	1	
*	70	360-514U	ARMATURE ASS'Y 120V-127V	1	INCLUD.66,67
*	70	360-514E	ARMATURE 220V-230V	1	
*	70	360-514F	ARMATURE 240V	1	
	71	318-467	FAN GUIDE	1	
*	72	961-501	HEX. HD. TAPPING SCREW D5X60	2	
*	72	953-174	HEX. HD. TAPPING SCREW D5X55	2	FOR USA
*	73	340-459H	STATOR 110V-115V	1	
*	73	340-459G	STATOR 120V-127V	1	FOR USA
*	73	340-459J	STATOR 220V-230V	1	
*	73	340-459E	STATOR 220V-230V	1	FOR IND,SYR,HKG
*	73	340-459K	STATOR 240V	1	
	74	318-508	HANDLE (A) (GREEN)	1	
*	75	318-817	SWITCH	1	FOR GBR(110V)
*	75	318-504	SWITCH	1	FOR USA
*	75	318-505	SWITCH	1	
	76	318-499	SWITCH TRIGGER	1	
	77	984-750	TAPPING SCREW (W/FLANGE) D4X16	2	
	78	937-631	CORD CLIP	1	
	79	981-373	TUBE (D)	4	
	80	318-509	HANDLE (B) (GREEN)	1	
	81	318-472	GRIP COVER	1	
*	82	938-108	TERMINAL	1	FOR NOISE SUPPRESSOR
*	83	994-273	NOISE SUPPRESSOR	1	EXCEPT SYR,USA,IND,HKG
*	84	953-327	CORD ARMOR D8.8	1	
*	84	938-051	CORD ARMOR D10.1	1	
*	85	500-201Z	CORD	1	(CORD ARMOR D10.1) FOR TPE
*	85	500-234Z	CORD	1	(CORD ARMOR D8.8)
*	85	500-245Z	CORD	1	(CORD ARMOR D10.1) FOR SYR
*	85	500-435Z	CORD	1	(CORD ARMOR D8.8) FOR HKG,GBR(230V)
*	85	500-439Z	CORD	1	(CORD ARMOR D8.8) FOR AUS,NZL
*	85	500-461Z	CORD	1	(CORD ARMOR D8.8) FOR GBR(110V)
*	85	500-447Z	CORD	1	(CORD ARMOR D8.8) FOR SUI

PARTS

CR 13VA

ITEM No.	CODE NO.	DESCRIPTION	NO. USED	REMARKS
* 85	500-434Z	CORD	1	(CORD ARMOR D8.8) FOR USA
* 85	500-455Z	CORD	1	(CORD ARMOR D8.8) FOR CHNOR

STANDARD ACCESSORIES

ITEM No.	CODE NO.	DESCRIPTION	NO. USED	REMARKS
501	318-613	SABER SAW BLADES NO.103 150L P.14 (5 PCS.)	1	
502	312-831	CASE	1	

OPTIONAL ACCESSORIES

ITEM No.	CODE NO.	DESCRIPTION	NO. USED	REMARKS
601	959-610	SABER SAW BLADES NO.1 (5 PCS.)	1	
602	958-182	SABER SAW BLADES NO.2 (5 PCS.)	1	
603	958-183	SABER SAW BLADES NO.3 (5 PCS.)	1	
604	959-611	SABER SAW BLADES NO.4 (5 PCS.)	1	
605	958-185	SABER SAW BLADES NO.5 (5 PCS.)	1	
606	958-188	SABER SAW BLADES NO.8 (5 PCS.)	1	
607	996-427	SABER SAW BLADES NO. 9 (3 PCS.)	1	
608	959-799	SABER SAW BLADES NO.95 (3 PCS.)	1	
609	959-800	SABER SAW BLADES NO.96 (3 PCS.)	1	
610	318-611	SABER SAW BLADES NO.101 150L P.10 (5 PCS.)	1	
611	318-612	SABER SAW BLADES NO.102 228L P.10 (5 PCS.)	1	
612	318-614	SABER SAW BLADES NO.104 228L P.14 (5 PCS.)	1	
613	318-615	SABER SAW BLADES NO.105 150L P.18 (5 PCS.)	1	
614	318-616	SABER SAW BLADES NO.106 228L P.18 (5 PCS.)	1	
615	318-617	SABER SAW BLADES NO.107 150L P.24 (5 PCS.)	1	
616	318-618	SABER SAW BLADES NO.108 228L P.24 (5 PCS.)	1	
617	318-619	SABER SAW BLADES NO.121 300L P.6 (5 PCS.)	1	
618	318-620	SABER SAW BLADES NO.131 305L P.10/14(5 PCS.)	1	
619	318-621	SABER SAW BLADES NO.132 203L (5 PCS.)	1	

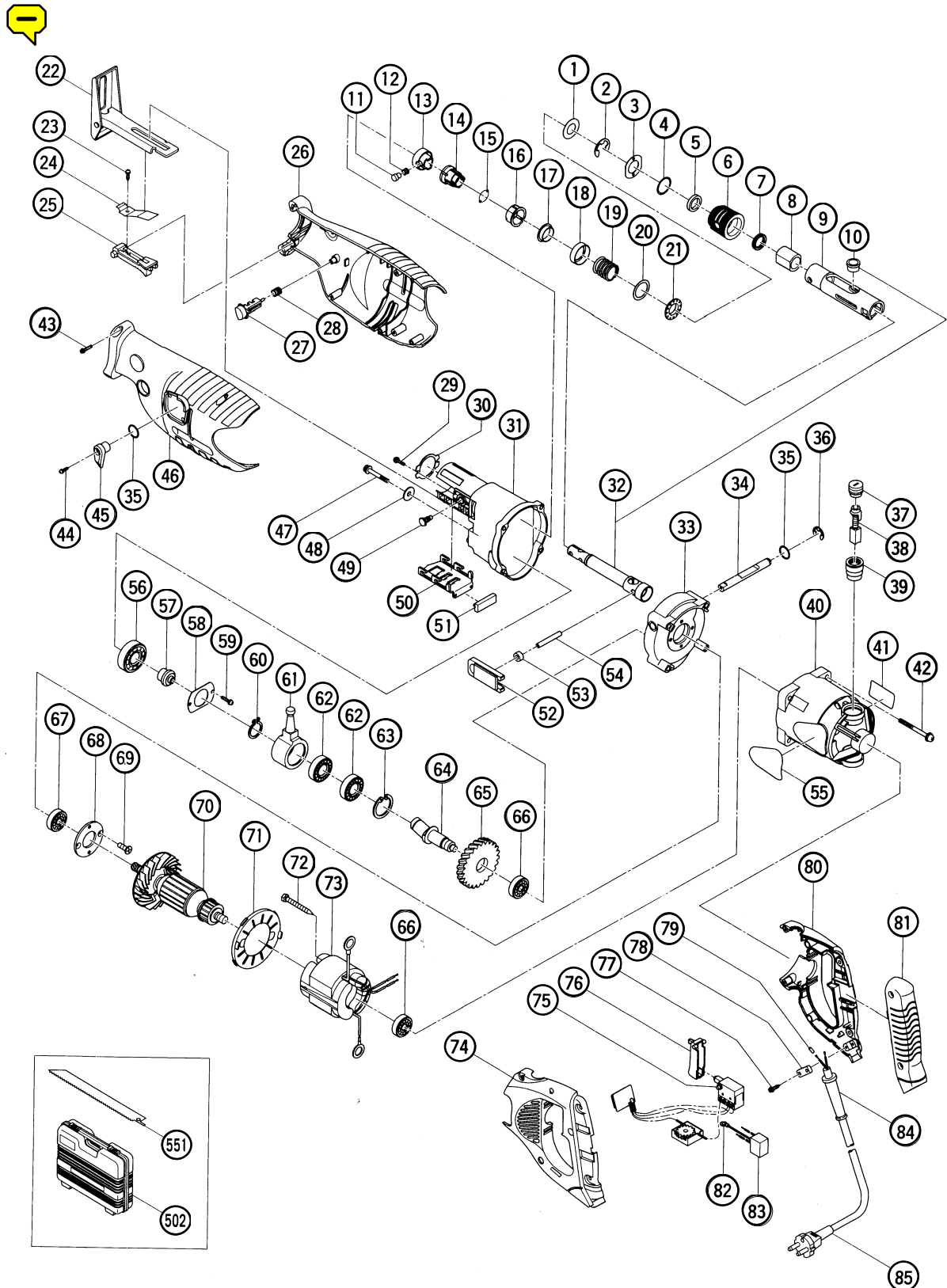
* : ALTERNATIVE PARTS

ELECTRIC TOOL PARTS LIST

■ SABER SAW

2000・2・15

Model CR 13VA [For the U.S.A. and Canada only] (E1)



PARTS

CR 13VA

ITEM NO.	CODE NO.	DESCRIPTION	NO. USED	REMARKS	
1	318-484	WASHER (E)	1		
2	318-453	RETAINING RING (E-TYPE) FOR D14 SHAFT	1		
3	318-457	WASHER (F)	1		
4	878-609	O-RING (S-24)	1		
5	318-458	FELT WASHER	1		
6	318-460	SEAL SLEEVE	1		
7	318-459	V-RING	1		
8	318-463	METAL (A)	1		
9	318-462	GUIDE SLEEVE ASS'Y	1	INCLUD.8	
10		PLUNGER SLEEVE	1		
11	318-481	HOLDER PIN	1		
12	318-483	SPRING (B)	1		
13	318-478	HOLDER SLEEVE (A)	1		
14	318-479	HOLDER SLEEVE (B)	1		
15	959-149	STEEL BALL D4.76 (10 PCS.)	2		
16	318-480	HOLDER SLEEVE (C)	1		
17	318-477	GUIDE WASHER	1		
18	318-487	DUST WASHER	1		
19	318-482	SPRING (A)	1		
20	318-486	WASHER (D)	1		
21	318-485	THRUST BEARING	1		
22	318-455	BASE	1		
23	310-222	TAPPING SCREW D4X8	1		
24	318-495	HOLDER SPRING	1		
25	318-497	BASE LEVER	1		
26	318-471	FRONT COVER (B)	1		
27	318-496	PUSHING BUTTON	1		
28	318-494	SPRING (C)	1		
29	677-495	FT-MACHINE SCREW M4X6	2		
30	318-456	FELT COVER	1		
31	318-468	GEAR COVER	1		
32	318-824	PLUNGER (A) SET	1	INCLUD.10	
33	318-469	INNER COVER (A)	1		
34	318-489	CHANGE SHAFT	1		
35	872-654	O-RING (1AP-10)	2		
36	974-577	RETAINING RING (E-TYPE) FOR D7 SHAFT	1		
37	945-161	BRUSH CAP	2		
38	999-043	CARBON BRUSH (1 PAIR)	2		
39	958-900	BRUSH HOLDER	2		
40	318-506	HOUSING (GREEN)	1		
41		NAME PLATE	1		
42	307-224	MACHINE SCREW (W/WASHERS) M5X60 (BLACK)	4		
43	307-028	TAPPING SCREW (W/FLANGE) D4X25 (BLACK)	11		
44	303-851	SEAL LOCK SCREW (W/WASHERS) M4X10 (BLACK)	1		
45	318-490	CHANGE KNOB	1		
46	318-470	FRONT COVER (A)	1		
47	318-451	NYLOCK BOLT (W/FLANGE) M6X35	1		
48	318-452	WASHER (G)	1		
49	318-493	BOLT M10	2		
50	318-454	BASE ADAPTER	1		
51	318-461	CUSHION RUBBER	1		

* : ALTERNATIVE PARTS

2 - 00

PARTS

CR 13VA

ITEM NO.	CODE NO.	DESCRIPTION	NO. USED	REMARKS	
52	318-488	SWING RAIL	2		
53	318-492	SWING ROLLER	2		
54	318-491	PIN D6	1		
55		HITACHI LABEL	1		
56	600-3DD	BALL BEARING 6003DDCMPS2S	1		
57	318-475	SUB SHAFT	1		
58	318-476	BEARING COVER (B)	1		
59	949-216	MACHINE SCREW M4X10 (10 PCS.)	2		
60	967-261	RETAINING RING FOR D17 SHAFT	1		
61	318-466	RECIPRO PLATE	1		
62	600-3VV	BALL BEARING 6003VVCMP2L	2		
63	939-556	RETAINING RING FOR D35 HOLE (10 PCS.)	1		
64	318-474	SECOND SHAFT (A)	1		
65	318-473	GEAR	1		
66	608-VVM	BALL BEARING 608VVC2PS2L	2		
67	600-1VV	BALL BEARING 6001VVCMP2L	1		
68	302-435	BEARING COVER	1		
69	949-321	FLAT HD. SCREW M4X8 (10 PCS.)	2		
*	70	360-514U	ARMATURE ASS'Y 120V-127V	1	INCLUD.66,67 FOR USA
	71	318-467	FAN GUIDE	1	
*	72	953-174	HEX. HD. TAPPING SCREW D5X55	2	FOR USA
*	73	340-459G	STATOR 120V-127V	1	FOR USA
	74	318-508	HANDLE (A) (GREEN)	1	
*	75	318-504	SWITCH	1	FOR USA
	76	318-499	SWITCH TRIGGER	1	
	77	984-750	TAPPING SCREW (W/FLANGE) D4X16	2	
	78	937-631	CORD CLIP	1	
	79	981-373	TUBE (D)	4	
	80	318-509	HANDLE (B) (GREEN)	1	
	81	318-472	GRIP COVER	1	
*	82	938-108	TERMINAL	1	FOR NOISE SUPPRESSOR
*	83	994-273	NOISE SUPPRESSOR	1	EXCEPT SYR,USA,IND,HKG
*	84	953-327	CORD ARMOR D8.8	1	
*	85	500-434Z	CORD	1	(CORD ARMOR D8.8) FOR USA

STANDARD ACCESSORIES

CR 13VA

ITEM No.	CODE NO.	DESCRIPTION	NO. USED	REMARKS
502	312831	CASE	1	
551		8" BI-M ALLPURP Progressive Recip. Blade 1PC	1	See Item No.677

OPTIONAL ACCESSORIES [Available for the U.S. and Canadian Market only]

ITEM No.	CODE NO.	DESCRIPTION	NO. USED	REMARKS
651	725300	6" HCS WOOD 6TPI Recip. Blade 5PCS	1	
652	725301	9" HCS WOOD 5TPI Recip. Blade 5PCS	1	
653	725302	12" HCS WOOD 6TPI Recip. Blade 5PCS	1	
654	725310	6" BI-M WOODNAIL 6TPI Recip. Blade 5PCS	1	TAPER Blade Back
655	725311	6" BI-M WOODNAIL 6TPI Recip. Blade 5PCS	1	SCROLL Blade Back
656	725312	6" BI-M WOODNAIL 6TPI Recip. Blade 5PCS	1	STRAIGHT Blade Back
657	725313	9" BI-M WOODNAIL 6TPI Recip. Blade 5PCS	1	
658	725314	12" BI-M WOODNAIL 6TPI Recip. Blade 5PCS	1	
659	725320	6" BI-M METAL 10TPI Recip. Blade 5PCS	1	
660	725321	9" BI-M METAL 10TPI Recip. Blade 5PCS	1	
661	725322	6" BI-M METAL 14TPI Recip. Blade 5PCS	1	
662	725323	9" BI-M METAL 14TPI Recip. Blade 5PCS	1	
663	725324	6" BI-M METAL 18TPI Recip. Blade 5PCS	1	
664	725325	6" BI-M METAL 24TPI Recip. Blade 5PCS	1	
665	725326	9" BI-M METAL 18TPI Recip. Blade 5PCS	1	
666	725327	9" BI-M METAL 24TPI Recip. Blade 5PCS	1	
667	725330	6" BI-M ALLPURP 10/14 TPI Recip. Blade 5PCS	1	
668	725331	9" BI-M ALLPURP 10/14TPI Recip. Blade 5PCS	1	
669	725332	12" BI-M ALLPURP 10/14TPI Recip. Blade 5PCS	1	
670	725340	9" CARBIDE GRIT Recip. Blade 3PCS	1	
671	725350	9" BI-M DEMO 6TPI Recip. Blade 3PCS	1	
672	725351	9" BI-M DEMO 9TPI Recip. Blade 3PCS	1	
673	725360	8" HCS WOOD Progressive Recip. Blade 5PCS	1	
674	725360B50	8" HCS WOOD Progressive Recip. Blade	1	BULK 50 PCS
675	725361	6" BI-M METAL Progressive Recip. Blade 5PCS	1	
676	725361B50	6" BI-M METAL Progressive Recip. Blade	1	BULK 50 PCS
677	725362	8" BI-M ALLPURP Progressive Recip. Blade 5PCS	1	
678	725362B50	8" BI-M ALLPURP Progressive Recip. Blade	1	BULK 50 PCS
679	725370	SET OF EACH Recip. Blades	0	for Blades Merchandiser Display

* : ALTERNATIVE PARTS

Printed in Japan 2- 00
(000215 N)