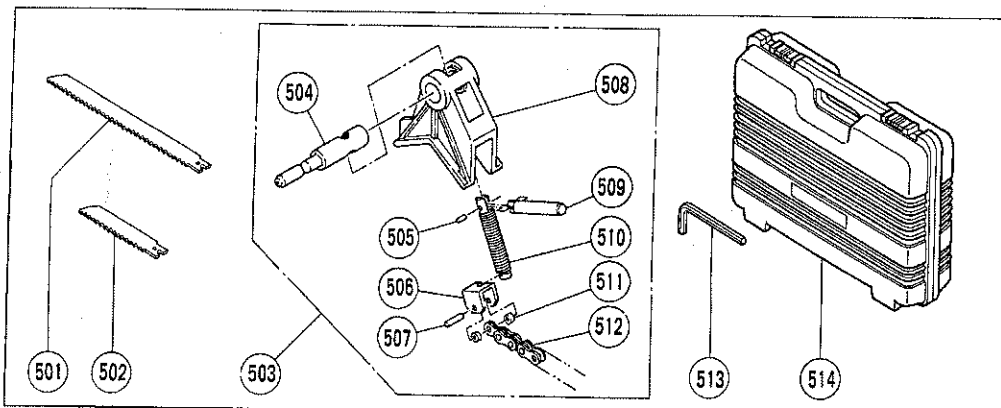
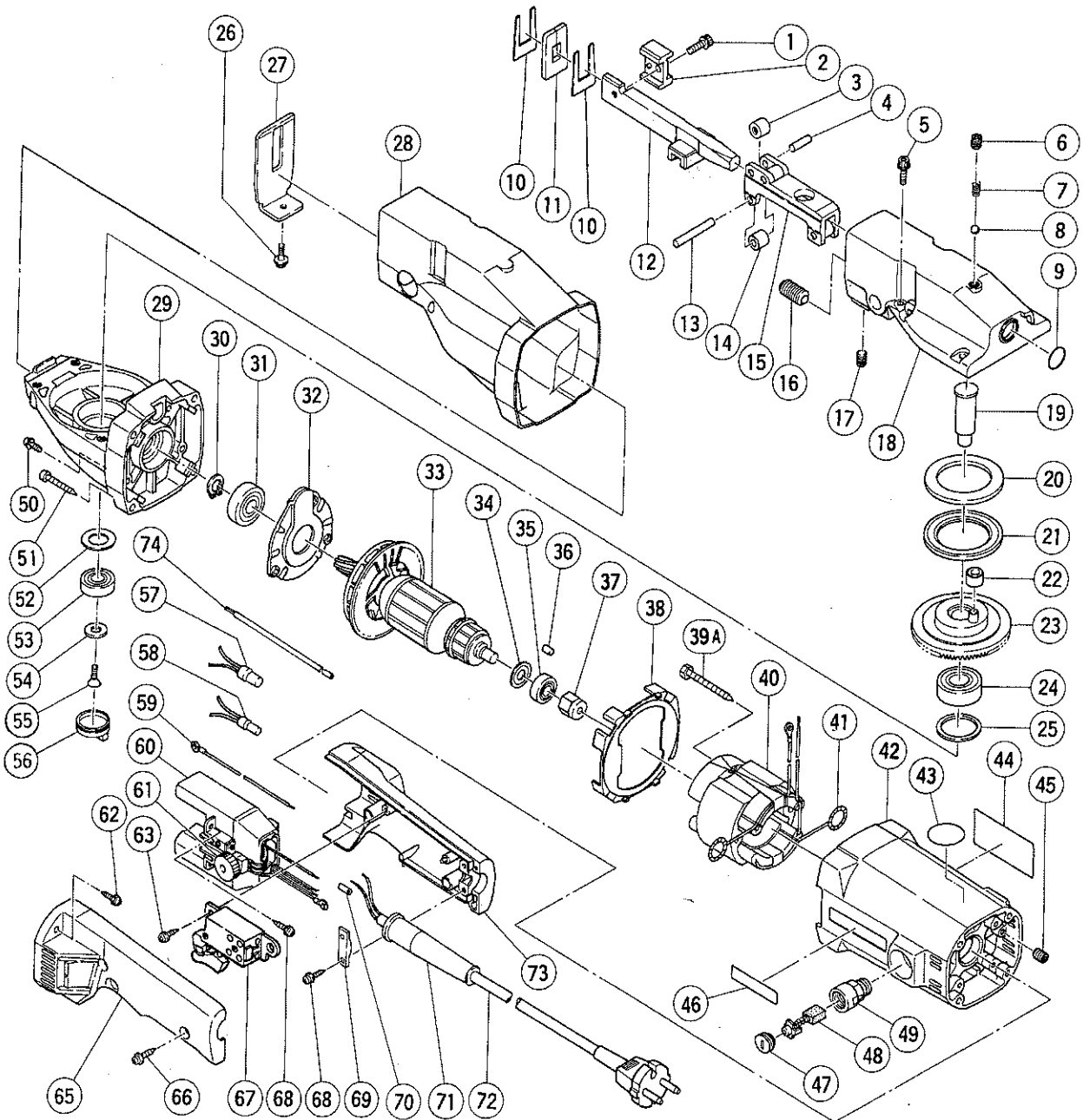


ELECTRIC TOOL PARTS LIST

■ **SABER SAW**
Model CR 17Y

1997 · 5 · 30
(E2)



PARTS

CR 17Y

ITEM NO.	CODE NO.	DESCRIPTION	NO. USED	REMARKS
1	305-574	HEX. SOCKET HD. BOLT (W/SP.WASHER) M5X16	1	
2	307-121	BLADE HOLDER (B)	1	
3	984-232	NEEDLE BEARING (A) (NK6/10T2)	3	
4	305-581	PIN	3	
5	305-583	HEX. SOCKET HD. BOLT (W/SP.WASHER) M5X20	4	
6	305-577	NYLOCK HEX. SOCKET SET SCREW M8X6	1	
7	305-571	SPRING (E)	1	
8	959-150	STEEL BALL D6.35 (10 PCS.)	1	
9	878-885	O - RING (S - 18)	1	
10	305-575	SEAL PLATE	2	
11	305-576	SEAL PACKING	1	
12	305-572	PLUNGER	1	
13	983-564	PIN D6	1	
14	305-582	SLEEVE	1	
15	305-580	PLUNGER CASE ASS'Y	1	INCLUD.3,4
16	305-563	BALL PLUNGER SCREW	1	
17	938-477	HEX. SOCKET SET SCREW M5X8	1	
18	305-570	UPPER COVER	1	
19	305-565	SPINDLE	1	
20	305-578	OUTER RING	1	
21	305-579	THRUST NEEDLE BEARING	1	
22	305-567	CONNECTING PIECE	1	
23	305-566	GEAR	1	
24	620-2VV	BALL BEARING 6202VVCMP2S	1	
25	305-719	WASHER (A)	1	
26	306-017	HEX. SOCKET HD. BOLT (W/FLANGE) M5X14	1	
27	305-585	BASE	1	
28	305-584	INSULATING COVER	1	
29	305-562	GEAR COVER	1	
30	939-542	RETAINING RING FOR D12 SHAFT (10 PCS.)	1	
31	620-1DD	BALL BEARING 6201DDUCMAV2S	1	
32	305-564	BEARING COVER	1	
* 33	360-272C	ARMATURE 110V	1	
* 33	360-272E	ARMATURE 230V - 240V	1	
34	982-631	WASHER (A)	1	
35	608-VVM	BALL BEARING 608VVMC2EPS2L	1	
36	931-701	BEARING LOCK	1	
37	305-559	MAGNET	1	
38	305-561	FAN GUIDE	1	
39A	961-501	HEX. HD. TAPPING SCREW D5X60	2	
* 40	340-246J	STATOR ASS'Y 110V	1	INCLUD.41
* 40	340-246E	STATOR ASS'Y 230V	1	INCLUD.41
* 40	340-246G	STATOR ASS'Y 220V - 230V	1	INCLUD.41 FOR FRA,HOL,SWE,GBR
41	930-703	BRUSH TERMINAL	2	
42	996-078	HOUSING ASS'Y	1	INCLUD.45,49
43	986-914	MARK PLATE	1	
44		NAME PLATE	1	
45	985-114	HEX. SOCKET SET SCREW M4X6	2	
46	957-561	HITACHI LABEL	1	
47	945-161	BRUSH CAP	2	
48	999-043	CARBON BRUSH (1 PAIR)	2	

*: ALTERNATIVE PARTS

PARTS

CR 17Y

ITEM NO.	CODE NO.	DESCRIPTION	NO. USED	REMARKS
49	958-900	BRUSH HOLDER	2	
50	987-203	SEAL LOCK SCREW (W/SP. WASHER) M4X12	3	
51	957-580	TAPPING SCREW D5X30	4	
52	944-525	BEARING WASHER (C)	1	
53	600-0VV	BALL BEARING 6000VVCMP2S	1	
54	953-338	WASHER	1	
55	305-568	SEAL LOCK FLAT HD. SCREW M5X12	1	
56	305-569	BEARING CAP	1	
57	959-141	CONNECTOR 50092 (10 PCS.)	2	
58	959-140	CONNECTOR 50091 (10 PCS.)	1	
59	985-289	INTERNAL WIRE	1	
* 60	307-842	CONTROLLER ASS'Y 110V - 115V	1	INCLUD.61
* 60	307-137	CONTROLLER ASS'Y 220V - 240V	1	INCLUD.61
61	305-699	VARIABLE RESISTOR	1	
62	305-558	TAPPING SCREW (W/FLANGE) D5X25 (BLACK)	4	
63	305-720	TAPPING SCREW (W/FLANGE) D4X12	1	
* 65	305-560	HANDLE (B)	1	
* 65	308-100	HANDLE (B)	1	FOR FRA
66	301-653	TAPPING SCREW (W/FLANGE) D4X20 (BLACK)	2	
* 67	960-280Z	SWITCH (2P PILLAR TYPE) W/O LOCK	1	
* 67	953-178	SWITCH (2P PILLAR TYPE) W/SAFETY LOCK	1	FOR FRA
68	984-750	TAPPING SCREW (W/FLANGE) D4X16	4	
69	960-266	CORD CLIP	1	
70	981-373	TUBE (D)	2	FOR CORD
* 71	958-049	CORD ARMOR D8.2	1	
* 71	940-778	CORD ARMOR D10.7	1	
* 72	500-234Z	CORD	1	(CORD ARMOR D8.2)
* 72	500-396Z	CORD	1	(CORD ARMOR D10.7) FOR GBR (110V)
* 72	500-435Z	CORD	1	(CORD ARMOR D8.2) FOR GBR (240V)
73	305-557	HANDLE (A)	1	
74	307-770	INTERNAL WIRE	1	

STANDARD ACCESSORIES

ITEM NO.	CODE NO.	DESCRIPTION	NO. USED	REMARKS
501	306-980	SABER SAW BLADES NO.21 (5 PCS.)	1	
502		SABER SAW BLADE NO.23	1	
503	305-587	CHAIN VISE ASS'Y	1	INCLUD.504 - 512
* 504	305-589	CENTER SHAFT	1	FOR FRG,FRA,SWE
* 505	949-869	ROLL PIN D4X10 (10 PCS.)	1	FOR FRG,FRA,SWE
* 506	305-591	CONNECTING PLATE	1	FOR FRG,FRA,SWE
* 507	305-592	NEEDLE D5X19.8	1	FOR FRG,FRA,SWE
* 508	305-588	VISE BASE	1	FOR FRG,FRA,SWE
* 509	305-594	ROD	1	FOR FRG,FRA,SWE
* 510	305-593	BOLT	1	FOR FRG,FRA,SWE
* 511	990-561	DISTANCE PIECE	2	FOR FRG,FRA,SWE
* 512	305-590	CHAIN	1	FOR FRG,FRA,SWE
* 513	944-458	HEX. BAR WRENCH 4MM	1	FOR FRG,FRA,SWE
514	314-188	CASE (STEEL)	1	

* : ALTERNATIVE PARTS

