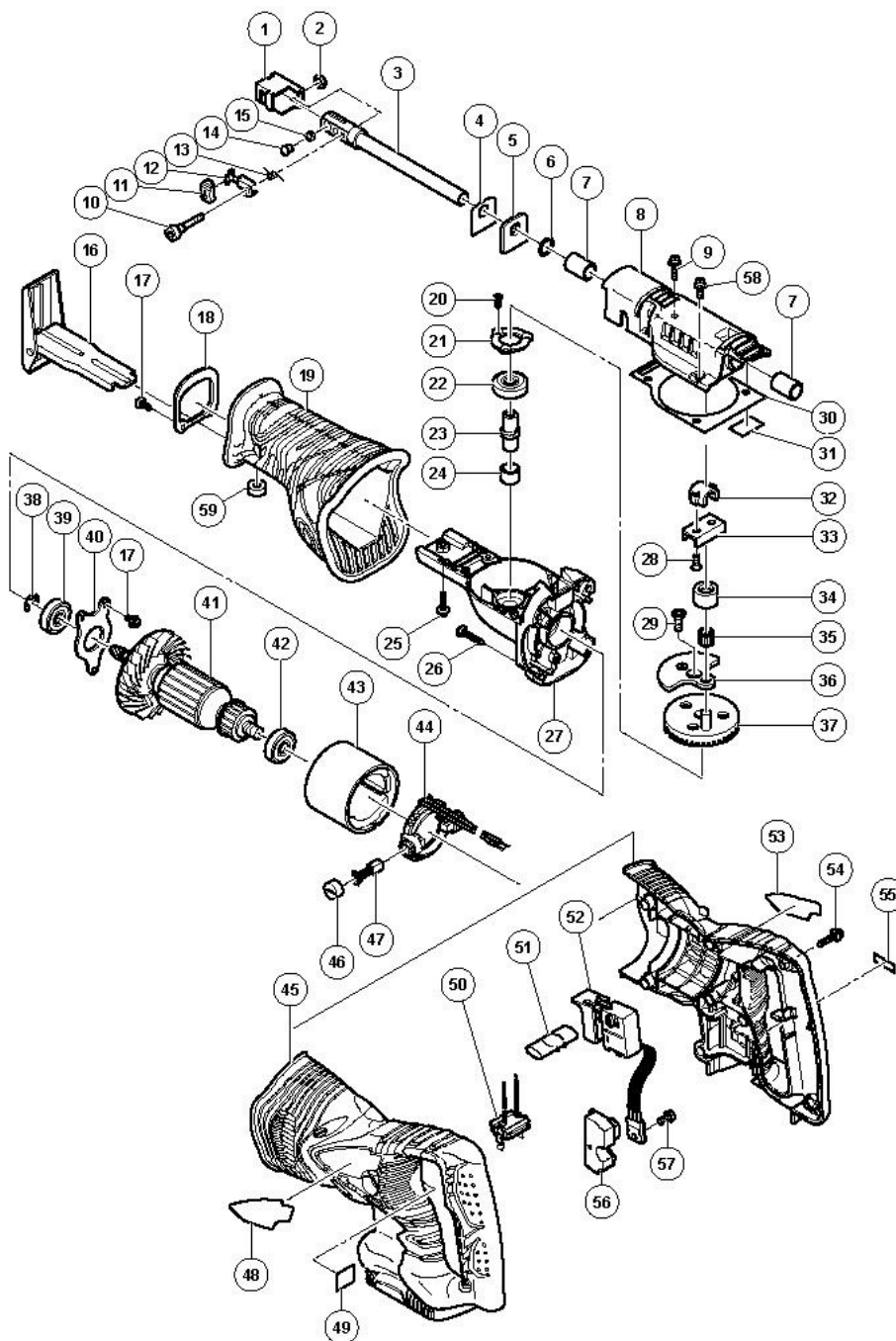


Hitachi Power Tools

LIST NO. G855

ELECTRIC TOOL PARTS LIST

**CORDLESS RECIPROCATING SAW 2006·8·25
Model CR 18DL (E1)**



CR18DL

Pos. Nr.	Art. Nr.	Beschreibung	Stueck	Kommentar	Beschreibung
1	321-132		1		BLADE HOLDER (A)
2	322-709		1		NUT M4 (BLACK)
3	324-472		1		PLUNGER
4	996-401	DICHTUNGSSCHEIBE CR12V/CR24DV	1		PACKING WASHER
5	996-400	FILZDICHTUNG CR12V/CR24DV	1		FELT PACKING
6	996-407	O-RING (1AP12) CR12V/CR24DV	1		O-RING (1AP-12)
7	956-589	GLEITBUCHSE CR10V/CR12V/CR24DV	2		METAL
8	324-471		1	INCLUD.7	UPPER COVER ASS'Y
9	305-583	INBUSSCHRAUBE M5X20 M.FEDERRING	2		HEX. SOCKET HD. BOLT (W/SP.WASHER) M5X20
10	322-134		1		SPECIAL BOLT M4
11	321-130		1		CAP
12	321-131		1		LEVER (A)
13	321-135		1		SPRING (D)
14	321-134		1		HOLDER PIN (B)
15	318-483	FEDER (B) CR13VA/CR24DV	1		SPRING (B)
16	319-866	GRUNDPLATTE CR24DV	1		BASE
17	951-039	+KOPFSCHRAUBE M4X12 M.FEDERRING	5		MACHINE SCREW (W/SP. WASHER) M4X12
18	324-474		1		COVER PLATE
19	324-473		1		FRONT COVER
20	993-244	STIFTSCHRAUBE M4X12 (SELBSTSICH.)	3		SEAL LOCK FLAT HD. SCREW M4X12
21	319-849	LAGERDECKEL (B) CR24DV	1		BEARING COVER (B)
22	690-1VV		1		BALL BEARING 6901VVCMP2L
23	319-848	SPINDEL CR24DV	1		SPINDLE
24	954-789	LAGERBUCHSE (B) VB13Y/CR24DV	1		METAL (B)
25	996-399	INBUSSCHRAUBE M5X12 M.FLANSCH	1		HEX. SOCKET HD. BOLT (W/FLANGE) M5X12
26	986-011	SCHNEISCHRAUBE D5X30 M.FEDERRING	4		TAPPING SCREW (W/SP. WASHER) D5X30
27	319-844	GETRIEBEGEHÄUSE CR24DV	1	INCLUD.24	GEAR COVER ASS'Y
					SEAL LOCK

28	319-875	INBUS-SENKKOPFSCHRAUBE M5X12	2		HEX.SOCKET FLAT HD. BOLT M5X12
29	319-851	INBUS-SENKKOPFSCHRAUBE M6X16	1		NYLOCK HEX. SOCKET FLAT HD. BOLT M6X16
30	319-856	DICHTUNG CR24DV	1		SEAL PACKING
31	319-874	DICHTUNG (B) CR24DV	1		PACKING (B)
32	983-567	VERBINDERHALTER CR10V/12V/CR24DV	1		CONNECTOR HOLDER
33	996-405	VERBINDER CR12V/CR24DV	1		CONNECTOR
34	983-541	VERBINDERTEIL (A) CR10V/12V/24DV	1		CONNECTING PIECE (A)
35	324-470		1		NEEDLE ROLLER
36	319-852	GEGENGEWICHT CR24DV	1		BALANCE WEIGHT
37	324-469		1		GEAR
38	670-514	SICHERUNGSRING (E-TYPE)A- D10	1		RETAINING RING (E- TYPE) FOR D10 SHAFT
39	600-1VV	KUGELLAGER 6001 VV	1		BALL BEARING 6001VVCMP2L
40	319-843	LAGERDECKEL (A) CR24DV	1		BEARING COVER (A)
41	360-703		1	"INCLUD.38- 40,42"	ARMATURE ASS'Y DC 18V
42	608-VVM	KUGELLAGER 608 VVM	1		BALL BEARING 608VVC2PS2L
43	324-468		1		MAGNET
44	324-478		1		BRUSH BLOCK
45	324-475		1		HOUSING (A).(B) SET
46	319-847	KOHLKAPPE C6DD/CR24DV/DV24DV	2		BRUSH CAP
47	999-068		2		CARBON BRUSH (1 PAIR)
48			1		HITACHI LABEL
49			1		CAUTION LABEL
50	324-517		1		TERMINAL PIECE
51	319-760	DRUCKKNOPF DS14DVB/DS18DVB/DV24DV	1		PUSHING BUTTON
52	319-861	ELEKTRONIKSCHALTER CR24DV	1		DC-SPEED CONTROL SWITCH
53			1		NAME PLATE
54	302-086	SCHNEIDSCHRAUBE D4X20 M.FLANSCH	8		TAPPING SCREW (W/FLANGE) D4X20 (BLACK)
55			1		CAUTION PLATE
56	319-812	KÜHLKÖRPER CR24DV/DV24DV	1		HEAT SINK

57	993-963	+KOPFSCHRAUBE M3X12 M. U-SCHEIBE	1	MACHINE SCREW (W/WASHERS) M3X12
58	305-574	INBUSSCHRAUBE M5X16 M.FEDERRING	2	HEX. SOCKET HD. BOLT (W/SP.WASHER) M5X16
59	326-353		1	CAP (A)
601	326-241		1	"BATTERY EBM 1830 (USA,CAN)"
602	944-458	INBUSSCHLÜSSEL D4(M5)	1	HEX. BAR WRENCH 4MM
603	959-610		1	SABER SAW BLADES NO.1 (5 PCS.)
604	958-182		1	SABER SAW BLADES NO.2 (5 PCS.)
605	958-183		1	SABER SAW BLADES NO.3 (5 PCS.)
606	959-611		1	SABER SAW BLADES NO.4 (5 PCS.)
607	958-185		1	SABER SAW BLADES NO.5 (5 PCS.)
608	958-188		1	SABER SAW BLADES NO.8 (5 PCS.)
609	996-427		1	SABER SAW BLADES NO.9 (3 PCS.)
610	959-799		1	SABER SAW BLADES NO.95 (3 PCS.)
611	959-800		1	SABER SAW BLADES NO.96 (3 PCS.)
612	318-611		1	SABER SAW BLADES NO.101 150L P.10 (5 PCS
613	318-612		1	SABER SAW BLADES NO.102 228L P.10 (5 PCS
614	318-613		1	SABER SAW BLADES NO.103 150L P.14 (5 PCS
615	318-614		1	SABER SAW BLADES NO.104 228L

					P.14 (5 PCS
616	318-617		1		SABER SAW BLADES NO.107 150L P.24 (5 PCS
617	318-618		1		SABER SAW BLADES NO.108 228L P.24 (5 PCS
618	324-818		1		SABER SAW BLADES NO.109 150L P.18 (5 PCS
619	324-819		1		SABER SAW BLADES NO.110 228L P.18 (5 PCS
620	318-619		1		SABER SAW BLADES NO.121 305L P.6 (5 PCS.
621	318-620		1		SABER SAW BLADES NO.131 305L P.10/14(5PC
622	318-621		1		SABER SAW BLADES NO.132 203L (5 PCS.)