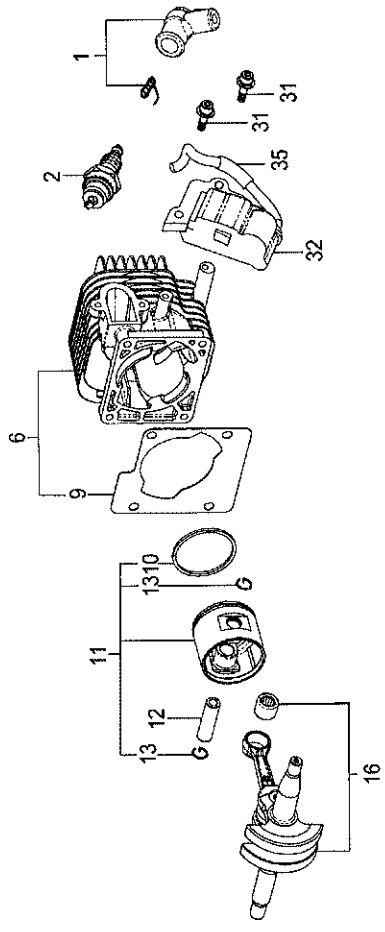


**C24**

**CS30EC(S)**

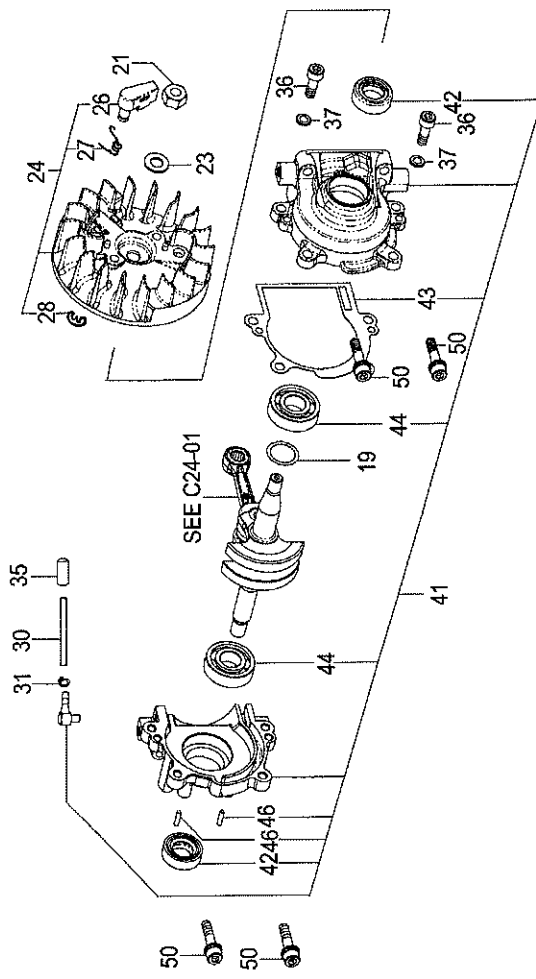
**Serial No.**

**C24-01 CS30EC(S) CYLINDER/PISTON/CRANK SHAFT**



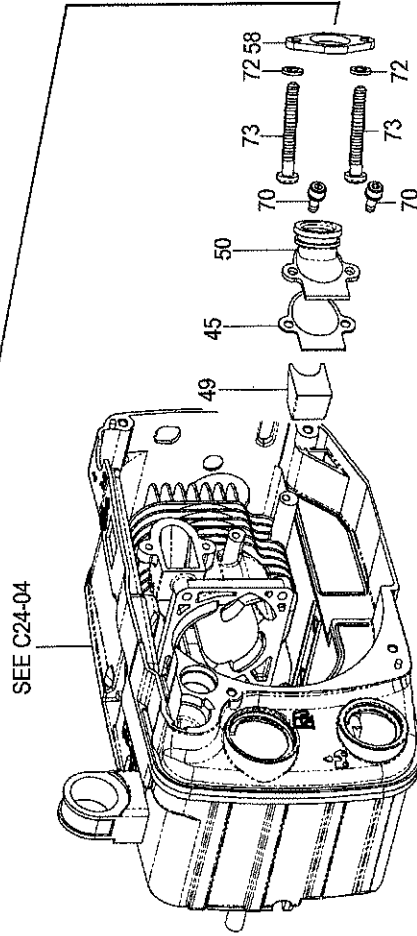
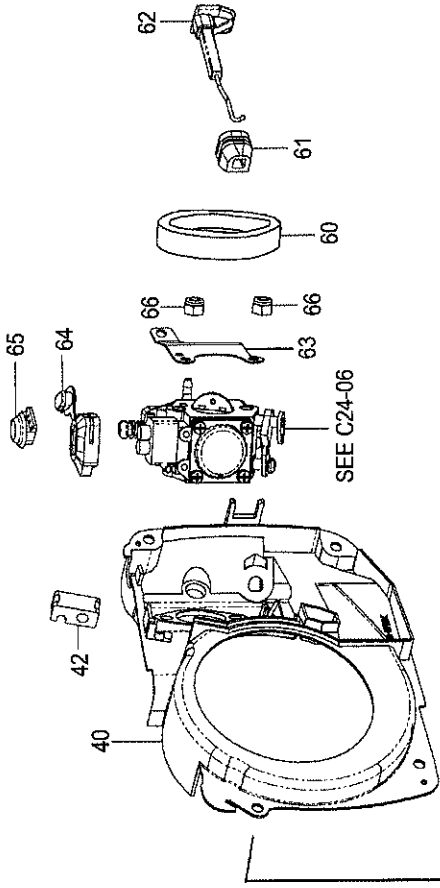
REF. NUMBER	PARTS NUMBER	DESCRIPTION	QTY	SERIAL NUMBER
001	668-7468	SPARK PLUG CAP ASSY	1	
002	668-5767	SPARK PLUG BMR6A	1	
006	668-5461	CYLINDER SET	1	
009	668-5726	CYLINDER GASKET	1	
010	668-6119	PISTON RING	1	
011	668-5881	PISTON SET	1	
012	668-4591	PISTON PIN	1	
013	668-4590	PISTON PIN CIRCLIP	2	
016	668-6173	CRANK SHAFT COMP.	1	
031	668-4682	HEX.HOLE BOLT 4X15/PS	2	
032	668-7668	IGNITION COIL COMP.	1	
035	669-2900	CORD INSULATOR TUBE	1	

# C24-02 CS30EC(S) CRANK CASE



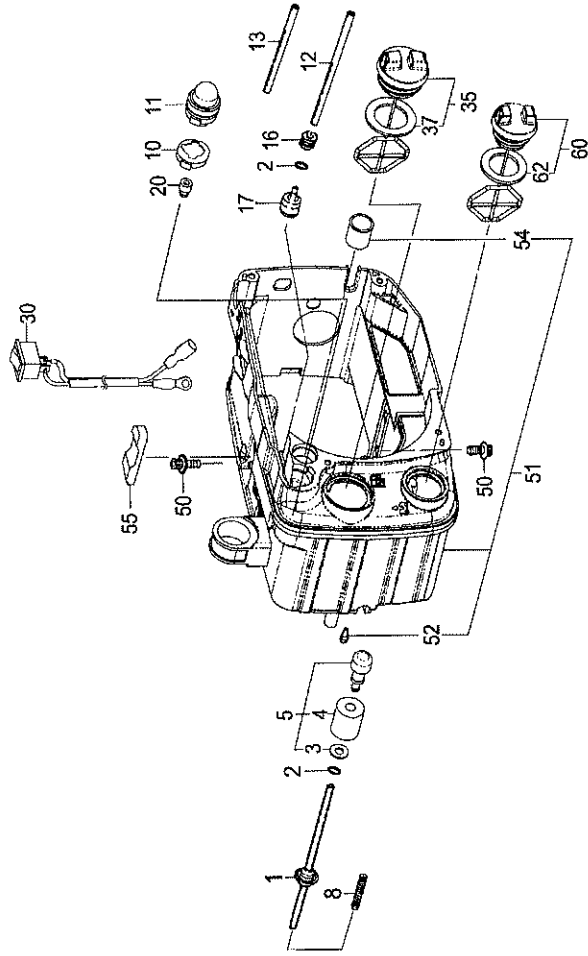
REF. NUMBER	PARTS NUMBER	DESCRIPTION	Q'TY	SERIAL NUMBER
019	668-5098	SHIM S T0.2	V	
019	668-5099	SHIM S T0.3	V	
019	668-6475	SHIM 0.4	V	
021	668-5104	FLYWHEEL NUT	1	
023	668-5103	BOLT WASHER M7	1	
024	668-7378	MAGNETO ROTOR SET	1	
026	669-3305	STARTER PAWL	2	
027	668-5105	STARTER PAWL SPRING	2	
028	668-5101	D4E RETAINING RING	2	
030	669-2412	FUEL PIPE 2.5X4.5X175	1	
031	669-2304	CLIP 4.5	1	
035	668-4597	INSULATOR TUBE 50L	1	
036	669-5046	HEX. HOLE BOLT 5X16	4	
037	668-5226	WASHER M5 (BLACK)	4	
041	668-6525	CRANK CASE ASS'Y	1	
042	668-4607	OIL SEAL TB 12227	2	
043	668-6703	CRANK CASE GASKET	1	
044	669-5535	BALL BEARING 6001 C3	2	
046	668-5095	NEEDLE ROLLER 2.5X9.8	2	
050	669-5514	HEX.HOLE BOLT 5X22/WS	4	

# C24-03 CS30EC(S) ENGINE CASE/AIR CLEANER



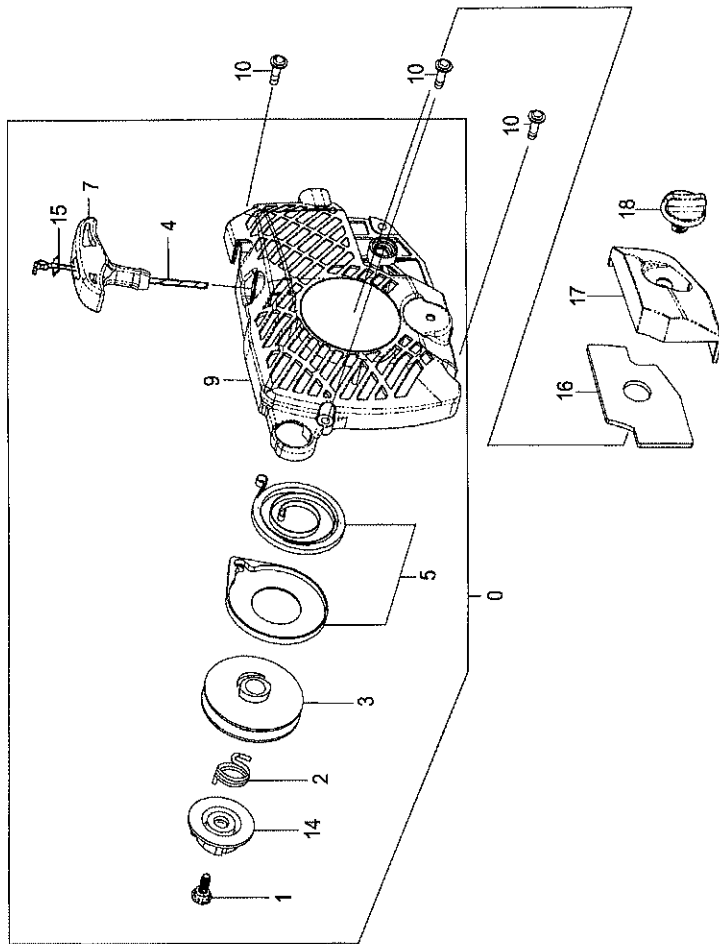
REF. NUMBER	PARTS NUMBER	DESCRIPTION	Q'TY	SERIAL NUMBER
040	668-7328	AIR DEFLECTOR ASSY	1	
042	669-1466	PIPE HOLDING GROMMET	1	
045	668-9872	INLETMANIFOLD GASKET	1	
049	668-9819	INLETMANIFOLD SPACER	1	
050	668-9788	INLETMANIFOLD COMP.	1	
058	668-9997	CARB. FIXING PLATE	1	
060	669-0811	DUST COVER	1	
061	669-2587	CHOKE ROD HOLDING RUB	1	
062	669-2515	CHOKE BUTTOM COMP.	1	
063	669-0679	CARUB. SUPPORT PLATE	1	
064	668-7960	ADJUSTER CAP	1	
065	668-7980	IDLE GROMMET	1	
066	669-5157	U-NUT 5	2	
070	669-5484	HEX. HOLE BOLT 4X10S	2	
072	668-4661	WASHER 5	2	
073	669-4908	SCREW 5X45	2	

# C24-04 CS30EC(S) FUEL LINE/OIL FILTER



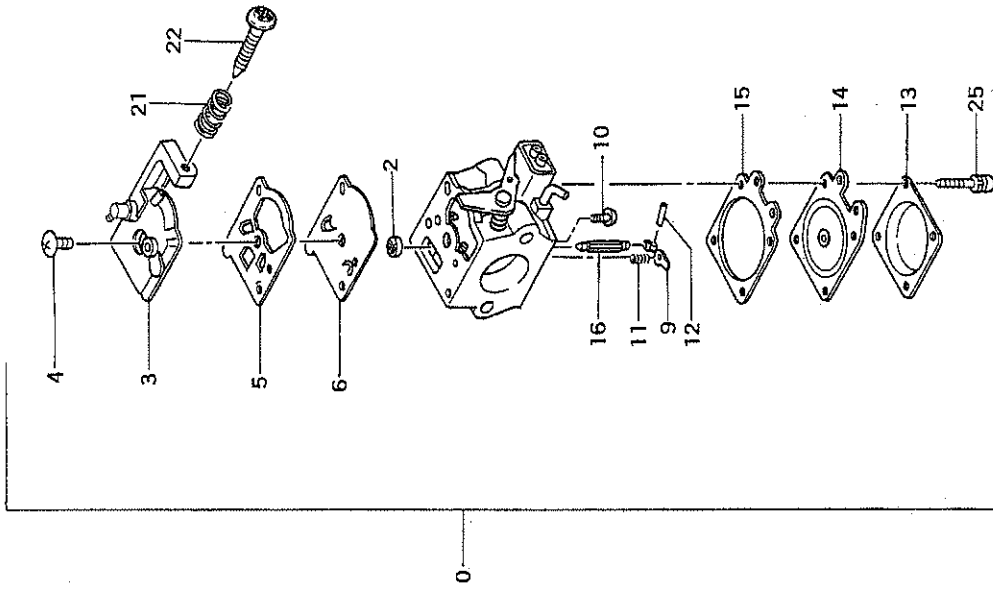
REF. NUMBER	PARTS NUMBER	DESCRIPTION	Q'TY	SERIAL NUMBER
001	668-5247	SHIELD TUBE ASSY	1	
002	668-5198	CLIP D6	2	
003	668-4661	WASHER 5	1	
004	669-0919	OIL FILTER	1	
005	668-5249	OIL FILTER BODY ASSY	1	
008	668-5246	PROTECTIVE COIL	1	
010	669-2126	PUMP FIXING PLATE	1	
011	668-5139	PRIMING PUMP COMP.	1	
012	669-2413	FUEL PIPE	1	
013	669-2350	FUIL PIPE 2.5X4.5X140	1	
016	669-2422	FUEL GROMMET	1	
017	668-5199	PUMP FILTER BODY	1	
020	669-1286	RETURN GROMMET	1	
030	668-7504	STOP SWITCH COMP.	1	
035	668-5180	TANK CAP ASSY	1	
037	668-5179	TANK CAP PACKING	1	
050	668-5136	SEAL LOCK BOLT M5X15	4	
051	669-1368	ENGINE CASE ASSY	1	
052	668-5173	AIR VENT VALVE (B)	1	
054	669-2086	AIR VENT ASSY	1	
055	669-1380	ENGINE CASE COVER	1	
060	668-5178	OIL TANK CAP ASSY	1	
062	668-5177	OIL TANK CAP PACKING	1	

# C24-05 CS30EC(S) RECOIL STARTER



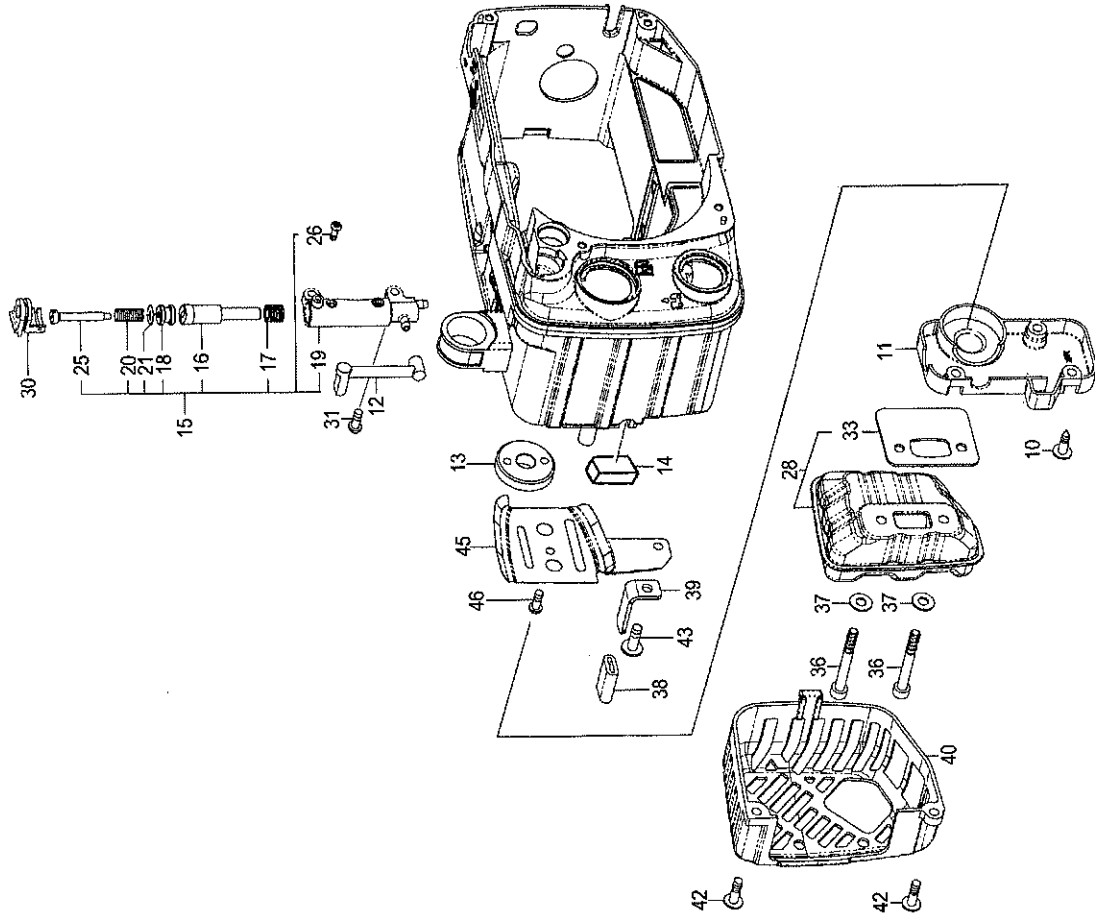
REF. NUMBER	PARTS NUMBER	DESCRIPTION	Q'TY	SERIAL NUMBER
000	669-2912	RECOIL STARTER ASS'Y	1	
001	668-4679	SET SCREW	1	
002	668-5183	DAMPER SPRING	1	
003	668-5184	STARTER PULLEY	1	
004	668-5186	ROPE	1	
005	668-5185	SPRING CASE ASS'Y	1	
007	668-5188	STARTER HANDLE	1	
009	668-6953	FAN CASE COMP.	1	
010	668-5191	TAPPING SCREW D4.5X20	4	
014	669-2936	CAM PLATE	1	
015	668-5189	CLEANER ELEMENT	1	
016	669-0065	CLEANER COVER	1	
017	668-6315	CLEANER COVER	1	
018	668-5228	CLEANER KNOB	1	

**C24-06 CS30EC(S) CARBURETOR**



REF. NUMBER	PARTS NUMBER	DESCRIPTION	QTY	SERIAL NUMBER
000	669-0651	CARBURETOR ASSY WT-7	1	
002	668-4700	INLET SCREEN	1	
003	669-1438	PUMP COVER	1	
004	668-5210	SCREW	1	
005	668-5212	PUMP GASKET	1	
006	668-5213	PUMP DIAPHRAGM	1	
009	668-5217	CONTROL LEVER	1	
010	668-5218	HINGE PIN SET SCREW	1	
011	669-0873	VALVE SPRING	1	
012	668-5219	HINGE PIN	1	
013	668-5222	DIAPHRAGM COVER	1	
014	669-0827	METERING DIAPHRAGM COVER	1	
015	668-5220	DIAPHRAGM PACKING	1	
016	668-5215	NEEDLE VALVE	1	
021	669-0766	IDLE ADJUST SPRING	1	
022	669-0736	IDLE ADJUST SCREW	1	
025	668-5223	SET SCREW	4	

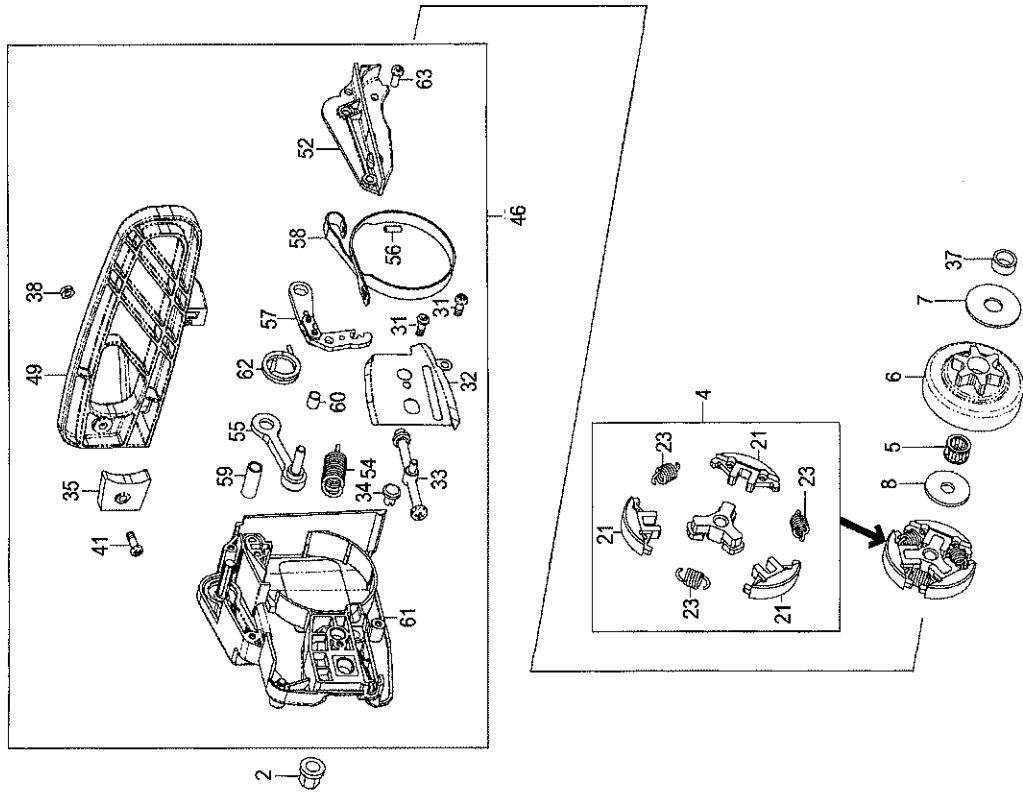
# C24-07 CS30EC(S) OIL PUMP/MUFFLER



REF. NUMBER	PARTS NUMBER	DESCRIPTION	Q'TY	SERIAL NUMBER
010	668-5152	TAPPING SCREW D4.5X14	3	
011	668-6765	OIL PUMP COVER	1	
012	668-5150	OIL PIPE (A)	1	
013	668-5151	SCREW GEAR	1	
014	669-1401	AIR VENT SPONGE	1	
015	668-5135	OIL PUMP CASE ASS'Y	1	
016	668-5132	PUMP GEAR COMP.	1	
017	668-5131	PUMP GEAR SPRING	1	
018	668-5130	OIL PUMP ADJUST CAP	1	
019	668-5134	OIL PUMP CASE COMP.	1	
020	668-5129	ADJUSTER SPRING	1	
021	668-5070	BOLT WASHER M4	1	
025	668-5128	OIL PUMP ADJUSTER	1	
026	668-5133	MACHINE SCREW M3X8	1	
028	669-2450	MUFFLER SET	1	
030	669-0959	OIL ADJUST GROMMET	1	
031	668-5149	MACHINE SCREW (W/SP. W)	2	
033	669-2734	MUFFLER GASKET	1	
036	669-5054	HEX. HOLE BOLT 5X40	2	
037	668-4661	WASHER 5	2	
038	668-5154	FUEL PIPE	1	
039	668-5155	CHAIN CATCHER	1	
040	669-2753	MUFFLER COVER	1	
042	668-5152	TAPPING SCREW D4.5X14	2	
043	668-5275	TAPPING SCREW D5X14	1	
045	669-0735	GUIDE PLATE A	1	
046	668-5161	TAPPING SCREW D4X10	1	

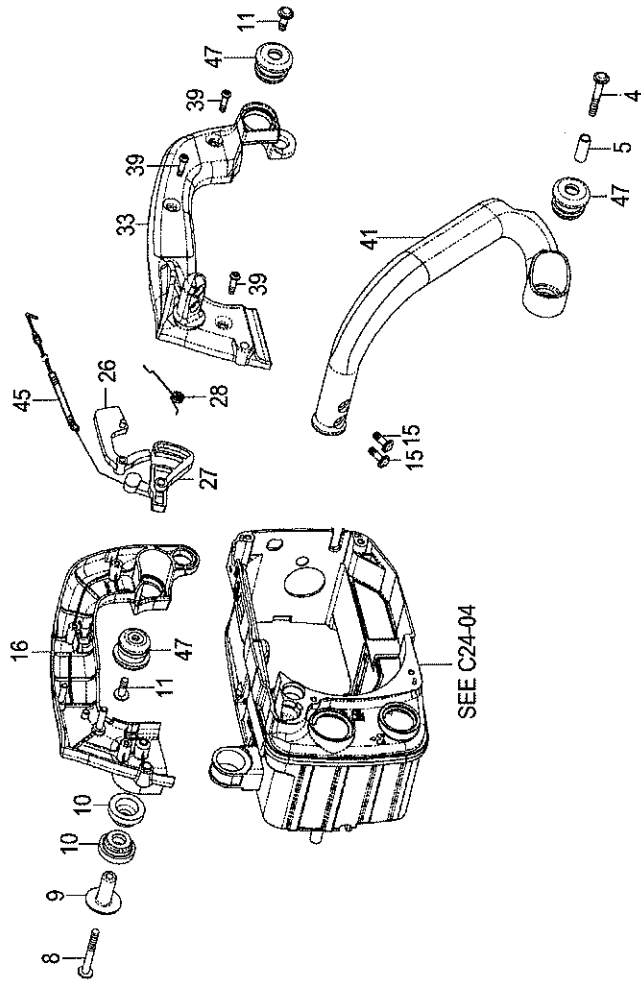


# C24-08 CS30EC(S) CLUTCH/CHAIN BRAKE



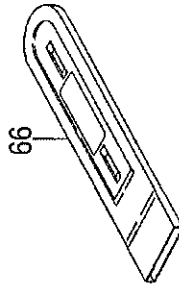
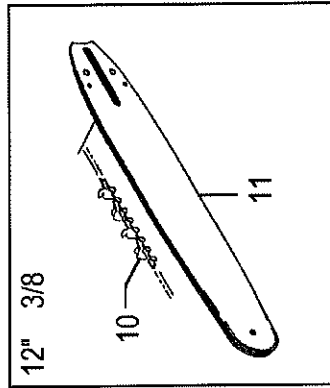
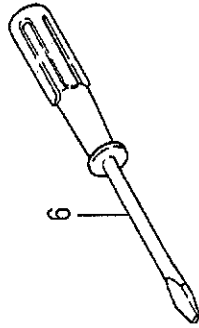
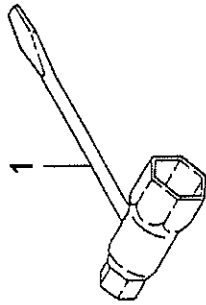
REF. NUMBER	PARTS NUMBER	DESCRIPTION	QTY	SERIAL NUMBER
002	668-5166	NUT	1	
004	668-8560	CLUTCH COMP.	1	
005	668-5143	NEEDLE BEARING	1	
006	668-9037	CLUTCH HOUSING COMP.	1	
007	668-9635	CLUTCH WASHER	1	
008	668-9641	CLUTCH WASHER	1	
021	668-9492	CLUTCH SHOE	3	
023	668-9425	CLUTCH SPRING	3	
031	668-5161	TAPPING SCREW D4X10	2	
032	669-0765	GUIDE PLATE B	1	
033	668-7074	TENTION ADJUST BOLT CO	1	
034	668-5168	GEAR (A)	1	
035	669-3485	HAND GUARD WEIGHT	1	
037	669-1198	CRANK SHAFT COLLAR 6	1	
038	668-5069	NUT M4	1	
041	668-5068	MACHINE SCREW (W/SP. W	1	
046	668-6112	SIDE CASE ASS'Y	1	
049	669-5711	BRAKE HANDLE	1	
052	668-9713	BRAKE LINK COVER	1	
054	668-9707	BRAKE SPRING	1	
055	668-5119	BRAKE SUPPORT PLATE C	1	
056	668-5141	NEEDLE ROLLER 3X9.8	1	
057	668-5121	BRAKE LINK COMP.	1	
058	668-9729	BLAKE BAND	1	
059	669-0805	CLEANER FIXING COLLAR	1	
060	668-5120	COLLAR	1	
061	668-6049	SIDE COVER COMP.	1	
062	668-5122	BRAKE LEVER SPRING	1	
063	668-5148	TAPPING SCREW D4X15	3	

# C24-09 CS30EC(S) HANDLE



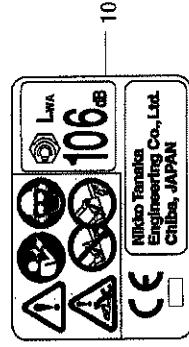
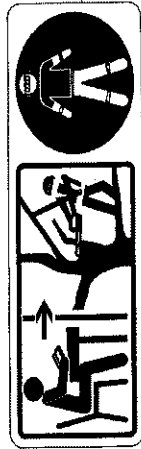
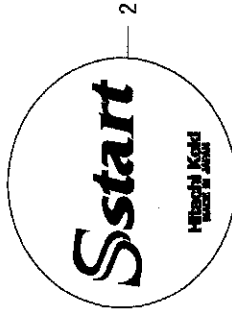
REF. NUMBER	PARTS NUMBER	DESCRIPTION	Q'TY	SERIAL NUMBER
004	669-5107	TAPPING SCREW 5X35	1	
005	669-0805	CLEANER FIXING COLLAR	1	
008	669-5108	TAPPING SCREW 5X40	1	
009	668-8480	DAMPER COLLAR A	1	
010	668-8117	DAMPER A	2	
011	668-5275	TAPPING SCREW D5X14	2	
015	668-5074	TAPPING SCREW D5X16	2	
016	668-5653	REAR HANDLE B	1	
026	668-8363	SAFETY LEVER	1	
027	668-6395	THROTTLE LEVER	1	
028	668-6416	THROTTLE LEVER SPRING	1	
033	668-5628	REAR HANDLE A	1	
039	668-5148	TAPPING SCREW D4X15	3	
041	668-8088	FRONT HANDLE	1	
045	669-3875	THROTTLE WIRE COMP.	1	
047	668-8262	DAMPER COMP.	3	

**C24-10 CS30EC(S) COVER/CHAIN/CHAIN BAR**



REF. NUMBER	PARTS NUMBER	DESCRIPTION	Q'TY	SERIAL NUMBER
001	668-5667	COMBI BOX SPANA 10X19	1	
006	668-6633	DRIVER	1	
010	668-5170	SAW CHAIN (3/8X12") 91VG	1	
011	668-5294	CHAIN BAR 12 INCH 3/8 SP	1	
066	668-5255	CHAIN COVER 12"	1	

**C24-11 CS30EC(S) LABELS**



REF. NUMBER	PARTS NUMBER	DESCRIPTION	Q'TY	SERIAL NUMBER
001	669-4395	NAME PLATE CS30EC(S)	1	
002	669-4471	STARTER MARK	1	
005	669-4555	CAUTION MARK A	1	
010	669-4447	CAUTION MARK A	1	