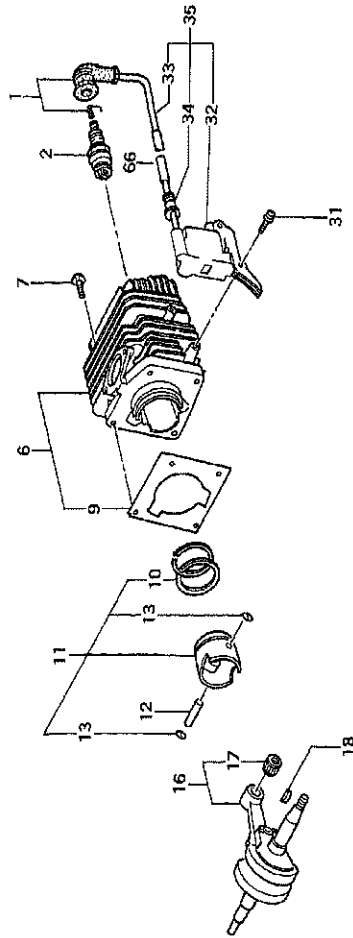


C08

CS30EH (S)

Serial No.

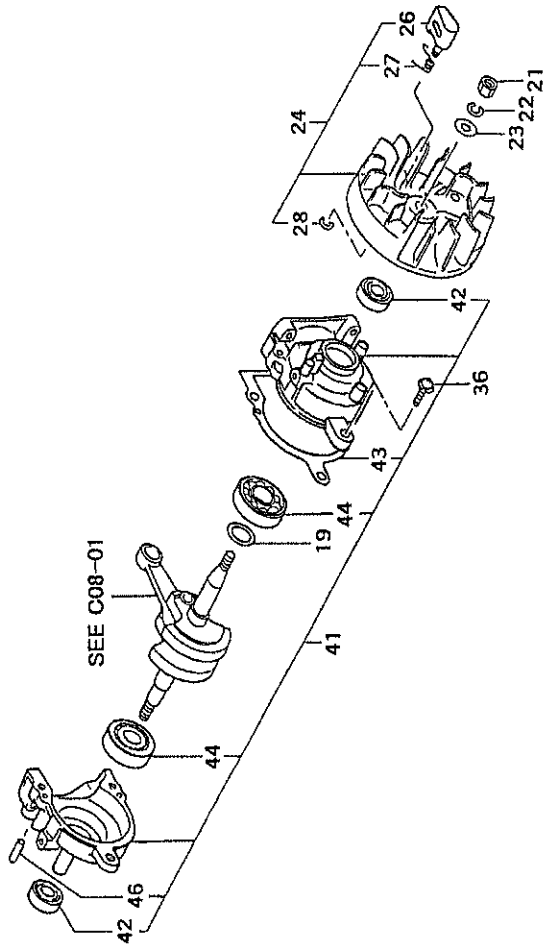
C08-01 CS30EH (S) CYLINDER/PISTON/CRANK SHAFT



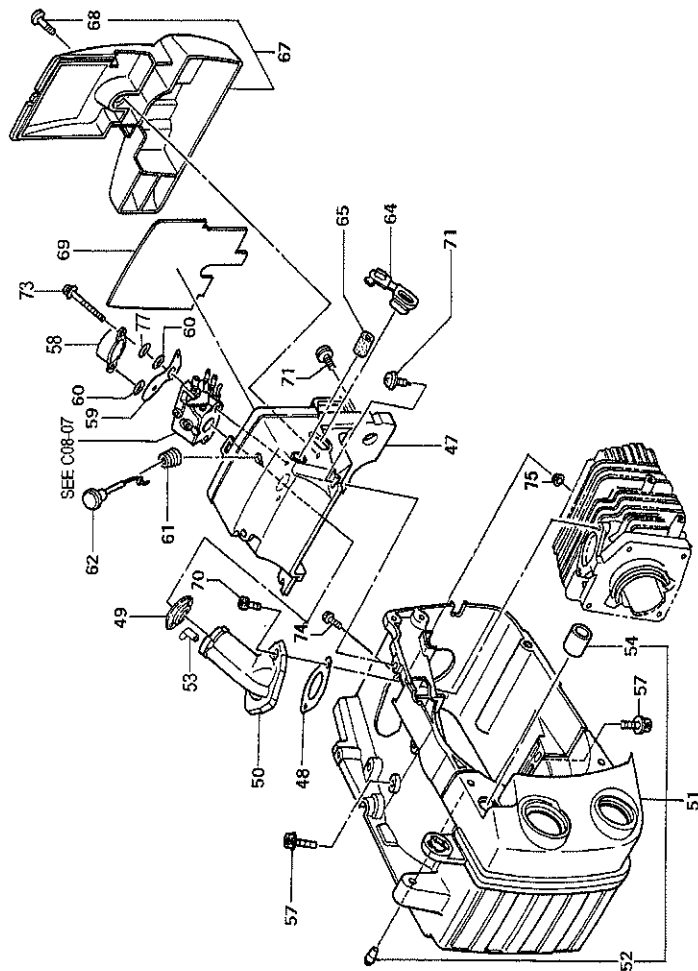
REF. NUMBER	PARTS NUMBER	PARTS DESCRIPTION	Q'TY	SERIAL NUMBER
001	668-7479	SPARK PLUG CAP ASSY	1	
002	668-5768	SPARK PLUG, RCJ8Y	1	
006	668-5460	CYLINDER SET	1	
007	668-4586	HEX.HOLE BOLT M5X18/S	4	
009	668-5725	CYLINDER GASKET	1	
010	668-6122	PISTON RING	2	
011	668-5880	PISTON SET, SPARE	1	
012	668-6008	PISTON PIN	1	
013	668-5078	CIRCLIP	2	
016	668-6172	CRANK SHAFT COMP.	1	
017	669-5592	NEEDLE BRG F-910 1.4X8.5	1	
018	668-4899	WOODRUFF KEY 3X13X4.5	1	
031	669-5407	HIGH TENSION SCREW 4X	2	
032	668-5089	IGNITION COIL COMP.	1	
033	668-7890	HIGHTENSION SION CORD	1	
034	668-4602	RUBBER CAP	1	
035	668-7667	IGNITION COIL ASS'Y	1	
066	669-2900	CORD INSULATOR TUBE	1	

C08-02

CS30EH (S) CRANK CASE

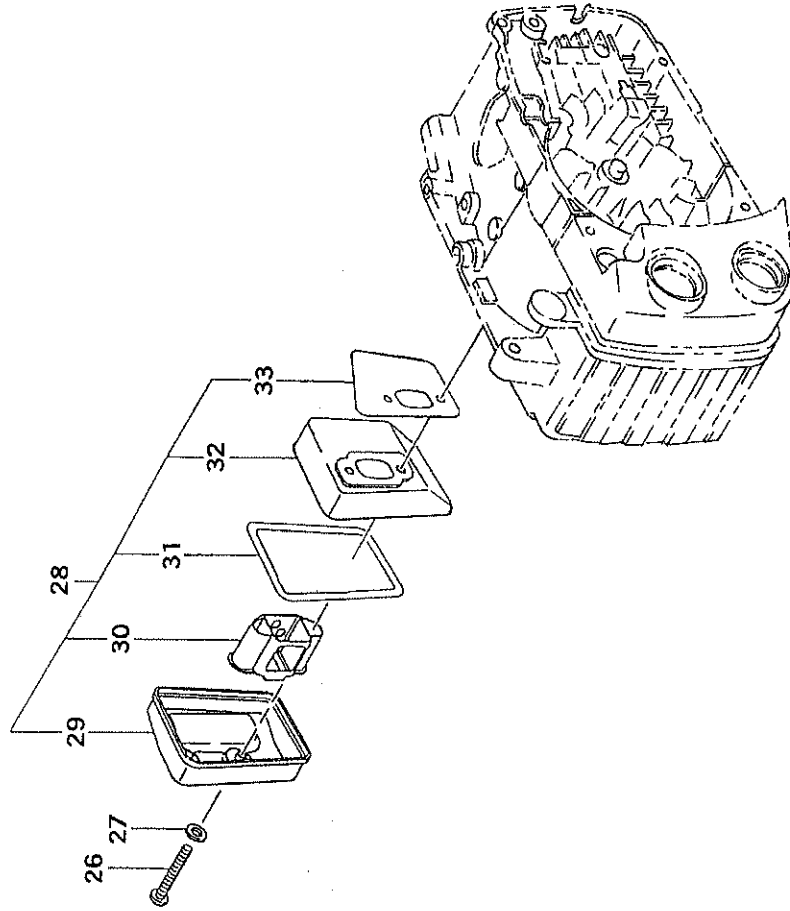


REF. NUMBER	PARTS NUMBER	PARTS DESCRIPTION	QTY	SERIAL NUMBER
019	668-6474	SHIM 0.1	V	
019	668-5098	SHIM S T0.2	V	
019	668-5099	SHIM S T0.3	V	
021	668-5104	FLYWHEEL NUT	1	
022	669-5222	S.WASHER 7	1	
023	668-5103	BOLT WASHER M7	1	
024	668-5102	MAGNETO ROTOR ASS'Y	1	
026	668-5106	STARTER PAWL	2	
027	668-5105	STARTER PAWL SPRING	2	
028	668-5101	D4E RETAINING RING	2	
036	668-4668	HEX.HOLE BOLT M5X20/S	3	
041	668-6524	CRANK CASE ASS'Y	1	
042	668-4607	OIL SEAL TB 12227	2	
043	668-6702	CRANK CASE GASKET	1	
044	668-5096	BALL BEARING 6201 A2C3	2	
046	668-5095	NEEDLE ROLLER 2.5X9.8	1	

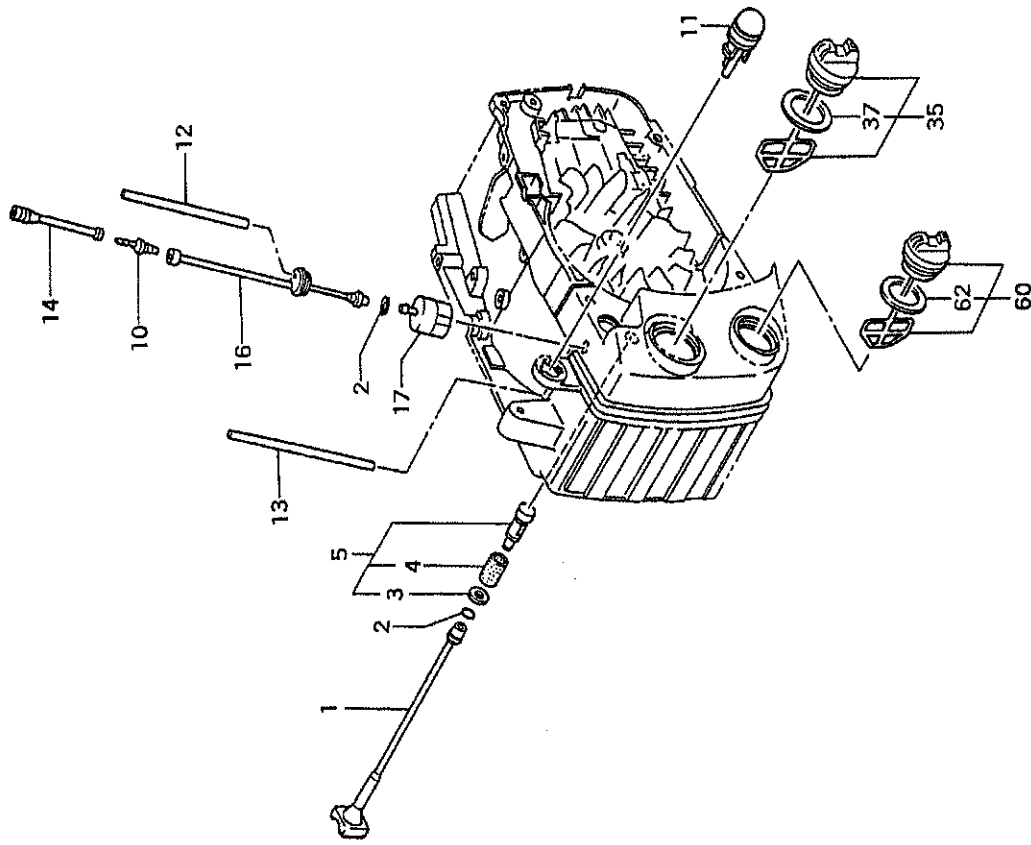


REF. NUMBER	PARTS NUMBER	PARTS DESCRIPTION	Q'TY	SERIAL NUMBER
047	668-7421	CLEANER BODY COMP.	1	
048	668-9876	INLET MANIFOLD GASKET	1	
049	668-5202	INLET MANIFOLD SPACER	1	
050	668-9787	INLET MANIFOLD COMP.	1	
051	669-1367	ENGINE CASE ASS'Y	1	
052	668-5173	AIR VENT VALVE (B)	1	
053	668-5203	PULSE GUIDE	1	
054	668-5175	INNER CAP ASS'Y	1	
057	668-4634	HEX.HOLE BOLT 5X20/PS	4	
058	669-0843	BLOW OVER CHECK BOARD	1	
059	669-2411	CHOKE VALVE	1	
060	669-2596	CHOKE SHIM 0.8	2	
061	669-2591	CHOKE ROD RUBBER	1	
062	669-2514	CHOKE BUTTON COMP.	1	
064	668-7958	ADJUSTER CAP	1	
065	668-5224	IDLE SPONGE	1	
067	668-6304	CLEANER COVER SET	1	
068	668-9735	CLEANER COVER BOLT	1	
069	669-0074	CLEANER ELEMENT	1	
070	668-4595	HEX.HOLE BOLT M4X12/S	2	
071	668-5153	TAPPING SCREW D4.5X14	4	
073	669-5428	SCREW 5X42/WS	2	
074	669-5505	HEX. HOLE BOLT 5X18PS	1	
075	668-5853	COLLAR	1	
077	668-4864	SMALL WASHER 5	1	

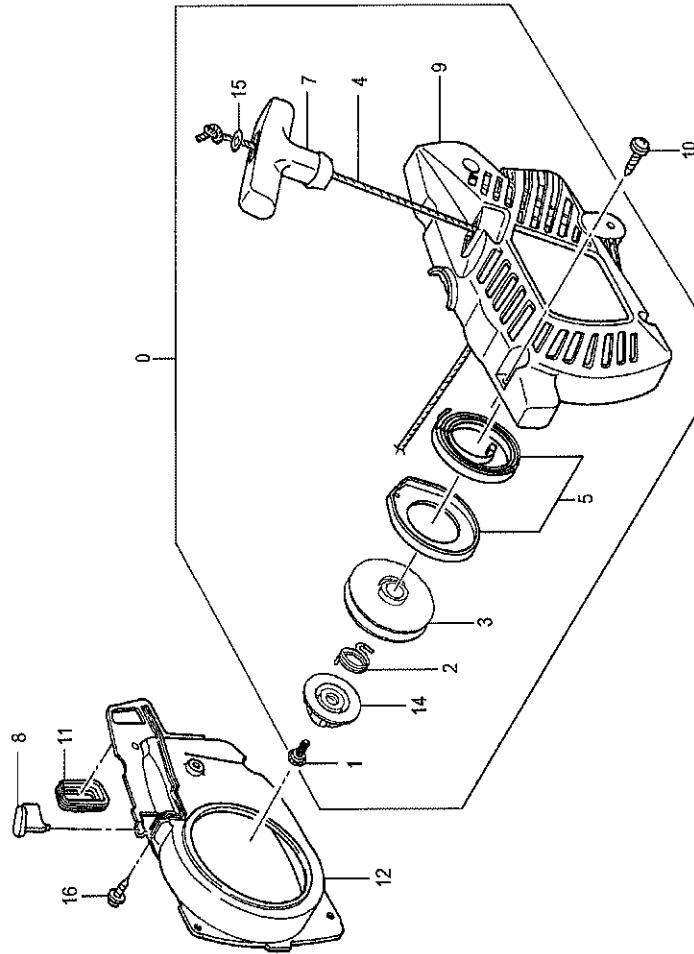
C08-04 CS30EH (S) MUFFLER



REF. NUMBER	PARTS NUMBER	PARTS DESCRIPTION	Q'TY	SERIAL NUMBER
026	669-5348	SCREW 5X40/S	2	
027	668-4661	WASHER 5	2	
028	669-2448	MUFFLER SET	1	
029	669-2628	MUFFLER BODY B COMP.	1	
030	669-2679	MUFFLER PIPE	1	
031	669-2834	MUFFLER JOINT GASKET	1	
032	669-2608	MUFFLER BODY A COMP.	1	
033	669-2735	MUFFLER GASKET	1	

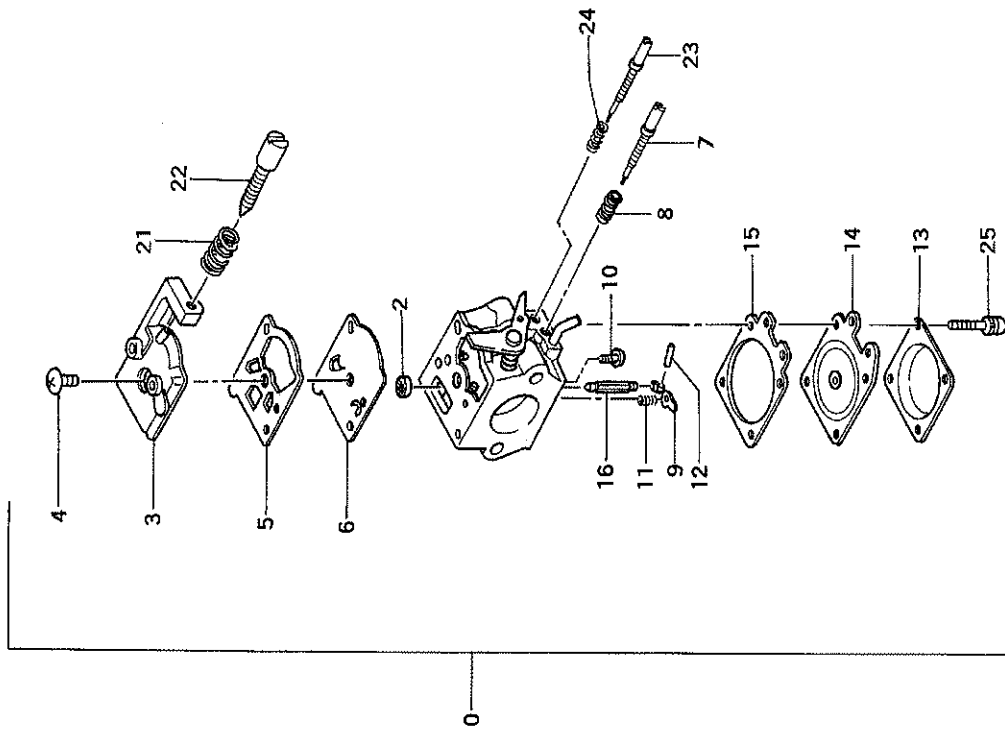


REF. NUMBER	PARTS NUMBER	PARTS DESCRIPTION	Q'TY	SERIAL NUMBER
001	669-1121	OIL PIPE B	1	
002	669-2312	CLIP 7	2	
003	668-4661	WASHER 5	1	
004	669-0919	OIL FILTER	1	
005	668-5249	OIL FILTER BODY ASS'Y	1	
010	668-5196	PIPE JOINT	1	
011	668-5139	PRIMING PUMP COMP.	1	
012	668-5267	FUEL PIPE 2.5X4X90	1	
013	669-2353	FUEL PIPE 2.5X4X210	1	
014	668-5195	RUBBER PIPE	1	
016	668-8155	SHIELD TUBE	1	
017	668-5199	PUMP FILTER BODY	1	
035	668-5180	TANK CAP ASS'Y	1	
037	668-5179	TANK CAP PACKING	1	
060	668-5178	OIL TANK CAP ASS'Y	1	
062	668-5177	OIL TANK CAP PACKING	1	



REF. NUMBER	PARTS NUMBER	PARTS DESCRIPTION	Q'TY	SERIAL NUMBER
000	669-2911	S-STARTER ASS'Y	1	
001	668-4679	SET SCREW	1	
002	668-5183	DAMPER SPRING	1	
003	668-5184	STARTER PULLEY	1	
004	668-5186	ROPE	1	
005	668-5185	SPRING CASE ASS'Y	1	
007	668-5188	STARTER HANDLE	1	
008	668-7481	INTAKE CHANGE LEVER	1	
009	668-6952	FAN CASE (S-START)	1	
010	668-5191	TAPPING SCREW D4.5X20	4	
011	668-7183	SEAL COVER	1	
012	668-7327	AIR DEFLECTOR	1	
014	668-5182	CAM PLATE	1	
015	668-5189	PLATE	1	
016	668-5153	TAPPING SCREW D4.5X14	1	

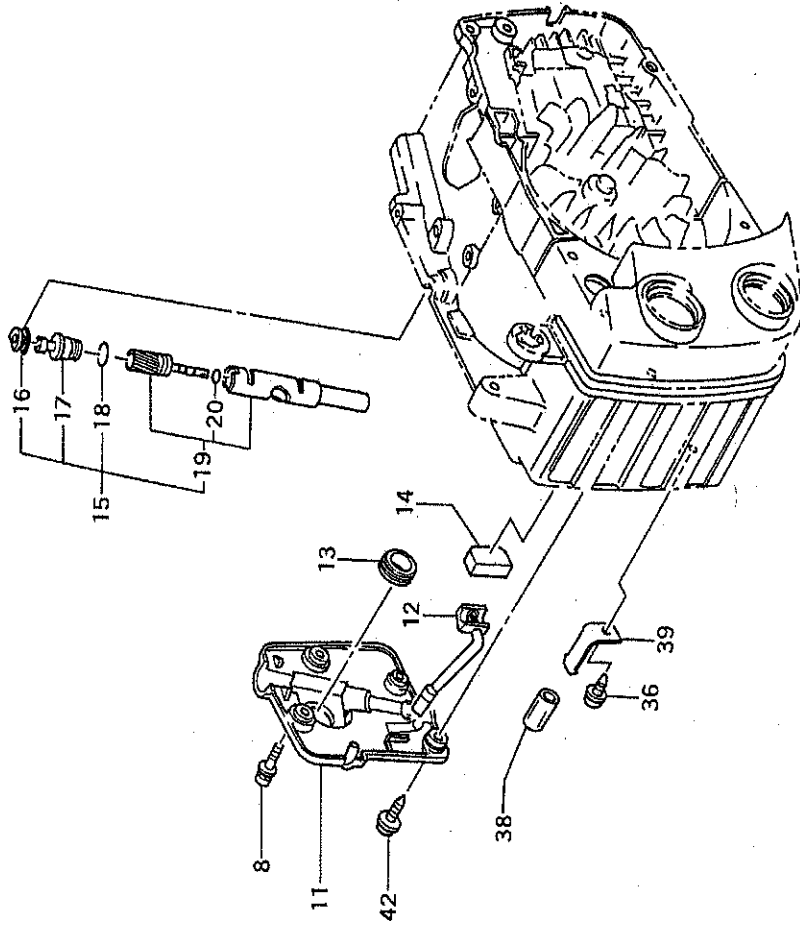
CS30EH (S) CARBURETOR



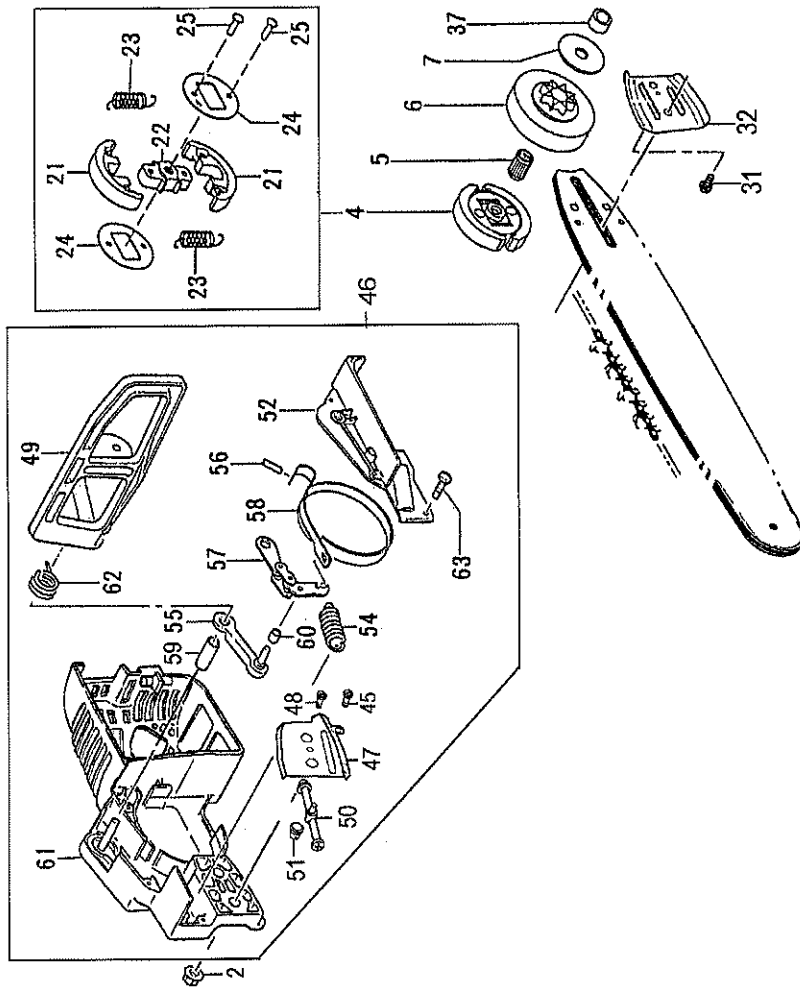
REF. NUMBER	PARTS NUMBER	PARTS DESCRIPTION	Q'TY	SERIAL NUMBER
000	669-0647	CARBURETOR ASS'Y WT55	1	
002	668-4700	INLET SCREEN	1	
003	668-5211	PUMP BODY	1	
004	668-5210	SCREW	1	
005	668-5212	PUMP GASKET	1	
006	668-5213	PUMP DIAPHRAGM	1	
007	669-0721	LOW ADJUST SCREW	1	
008	669-2048	HIGH/LOW ADJUST SPRING	1	
009	668-5217	CONTROL LEVER	1	
010	668-5218	HINGE PIN SET SCREW	1	
011	669-0872	VALVE SPRING	1	
012	668-5219	HINGE PIN	1	
013	668-5222	DIAPHRAGM COVER	1	
014	669-0827	METERING DIAPHRAGM COVER	1	
015	668-5220	DIAPHRAGM PACKING	1	
016	668-5215	NEEDLE VALVE	1	
021	668-5297	IDLE ADJUST SPRING	1	
022	668-5298	IDLE ADJUST SCREW	1	
023	669-0701	HIGH ADJUST SCREW	1	
024	669-0897	HIGH ADJUSTMENT SPRING	1	
025	668-5223	SET SCREW	4	

C08-08

CS30EH (S) OIL PUMP

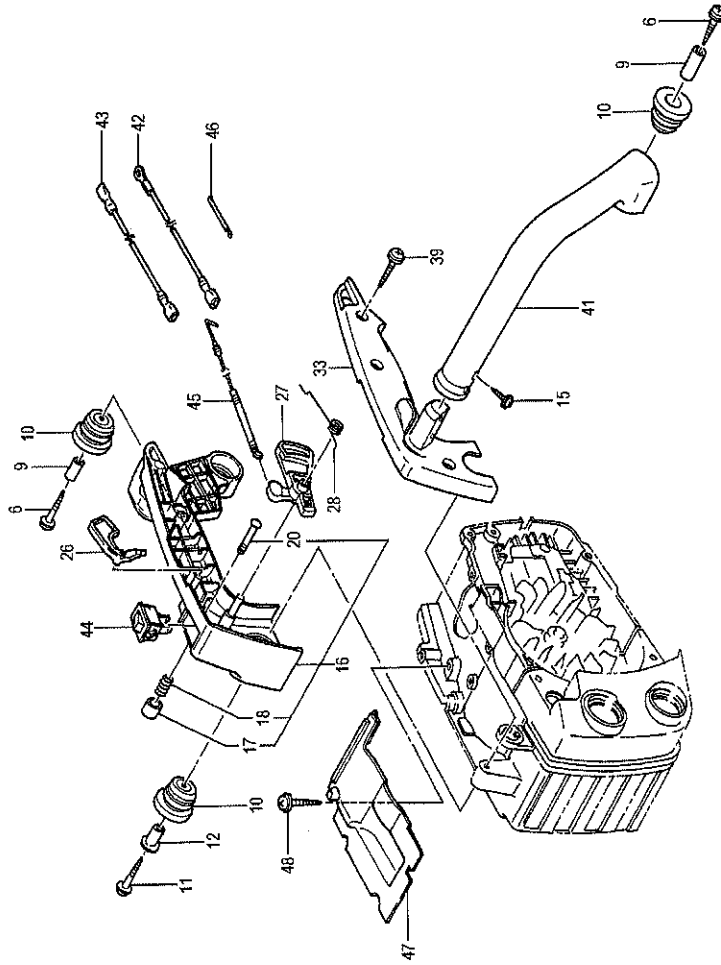


REF. NUMBER	PARTS NUMBER	PARTS DESCRIPTION	QTY	SERIAL NUMBER
008	669-5416	SCREW 5X14WS	2	
011	668-6764	OIL PUMP COVER	1	
012	669-1223	OIL PIPE A	1	
013	668-6645	SCREW GEAR	1	
014	668-5156	AIR VENT SPONGE	1	
015	668-7325	OIL PUMP ASS'Y	1	
016	669-0957	OIL ADJUST GROMMET	1	
017	669-1070	OIL PUMP ADJUSTER	1	
018	669-5663	O-RING P-6	1	
019	668-6681	OIL PUMP CASE SET, SPAR	1	
020	669-5663	O-RING P-6	1	
036	668-5275	TAPPING SCREW D5X14	1	
038	668-5154	FUEL PIPE	1	
039	668-5155	CHAIN CATCHER	1	
042	668-5152	TAPPING SCREW D4.5X14	2	



REF. NUMBER	PARTS NUMBER	PARTS DESCRIPTION	Q'TY	SERIAL NUMBER
002	668-5166	NUT	2	
004	668-8559	CLUTCH COMP.	1	
005	668-5143	NEEDLE BEARING	1	
006	668-5144	CLUTCH HOUSING COMP.	1	
007	668-5145	CLUTCH WASHER	1	
021	668-9491	CLUTCH SHOE	2	
022	668-9496	CLUTCH BOSS	1	
023	668-9424	CLUTCH SPRING	2	
024	668-9527	CLUTCH PLATE A	2	
025	669-5240	RIVET 4X14	2	
031	668-5161	TAPPING SCREW D4X10	1	
032	669-0733	GUIDE PLATE A	1	
037	668-5146	CRANK SHAFT COLLAR	1	
045	668-5161	TAPPING SCREW D4X10	1	
046	668-6110	SIDE CASE ASSY	1	
047	669-0756	GUIDE PLATE B	1	
048	669-5269	SCREW 2.6X5	1	
049	668-9676	BRAKE HANDLE COMP.	1	
050	668-5169	CHAIN PULLER COMP.	1	
051	668-5168	GEAR (A)	1	
052	668-9712	BRAKE LINK COVER, BLACK	1	
054	668-9705	BRAKE SPRING	1	
055	668-5119	BRAKE SUPPORT PLATE C	1	
056	668-5141	NEEDLE ROLLER 3X9.8	1	
057	668-5121	BRAKE LINK COMP.	1	
058	668-9728	BRAKE BAND	1	
059	669-0805	CLEANER FIXING COLLAR	1	
060	668-5120	COLLAR	1	
061	668-6046	SIDE CASE COVER	1	
062	668-5122	BRAKE LEVER SPRING	1	
063	668-5148	TAPPING SCREW D4X15	3	

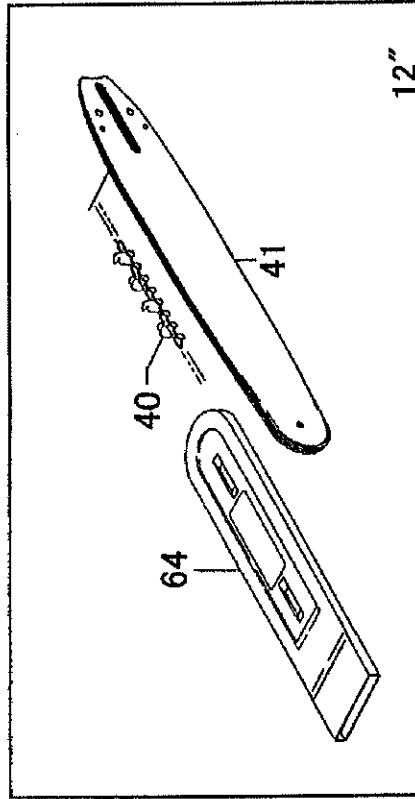
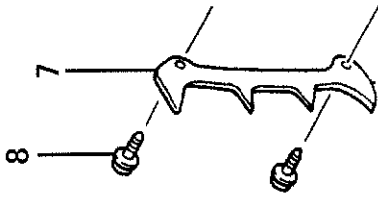
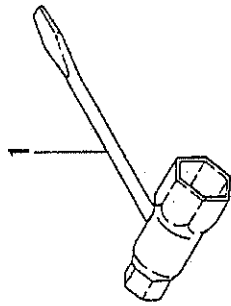
C08-10 CS30EH (S) HANDLE



REF. NUMBER	PARTS NUMBER	PARTS DESCRIPTION	Q'TY	SERIAL NUMBER
006	669-5107	TAPPING SCREW 5X35	2	
009	669-0805	CLEANER FIXING COLLAR	2	
010	668-8263	DAMPER COMP.	3	
011	669-5108	TAPPING SCREW 5X40	1	
012	668-8481	DAMPER COLLAR A	1	
015	668-5074	TAPPING SCREW D5X16	2	
016	668-5651	REAR HANDLE B	1	
017	669-2680	PUSH PIN CAP	1	
018	668-6447	STOPPER SPRING	1	
020	668-6430	PUSH PIN	1	
026	668-8363	SAFETY LEVER	1	
027	668-6395	THROTTLE LEVER	1	
028	668-6416	THROTTLE LEVER SPRING	1	
033	668-5623	REAR HANDLE	1	
039	668-5148	TAPPING SCREW D4X15	3	
041	668-8084	FRONT HANDLE	1	
042	668-5252	CORD 180MM	1	
043	668-7838	CORD 325L	1	
044	668-5239	STOP SWITCH	1	
045	669-3874	THROTTLE WIRE COMP.	1	
046	668-8011	CORD CLAMP COMP.	1	
047	669-1379	ENGINE CASE COVER	1	
048	668-5153	TAPPING SCREW D4.5X14	2	

C08-11

CS30EH (S) COVER/CHAIN/CHAIN BAR



REF. NUMBER	PARTS NUMBER	PARTS DESCRIPTION	Q' TY	SERIAL NUMBER
001	668-5257	COMBI BOX SPANNER 10/1	1	
007	668-5270	SPIKE	1	
008	668-5275	TAPPING SCREW D5X14	2	
040	668-5170	SAW CHAIN (3/8X12") 91VG	1	
041	668-5294	CHAIN BAR 12 INCH 3/8 SP	1	
064	668-5255	CHAIN COVER 12"	1	

REF. NUMBER	PARTS NUMBER	PARTS DESCRIPTION	Q'TY	SERIAL NUMBER
001	669-4398	NAME PLATE CS30EH	1	
002	669-4448	CAUTION MARK	1	
003	669-4501	STARTER MARK CS30EH(S)	1	

