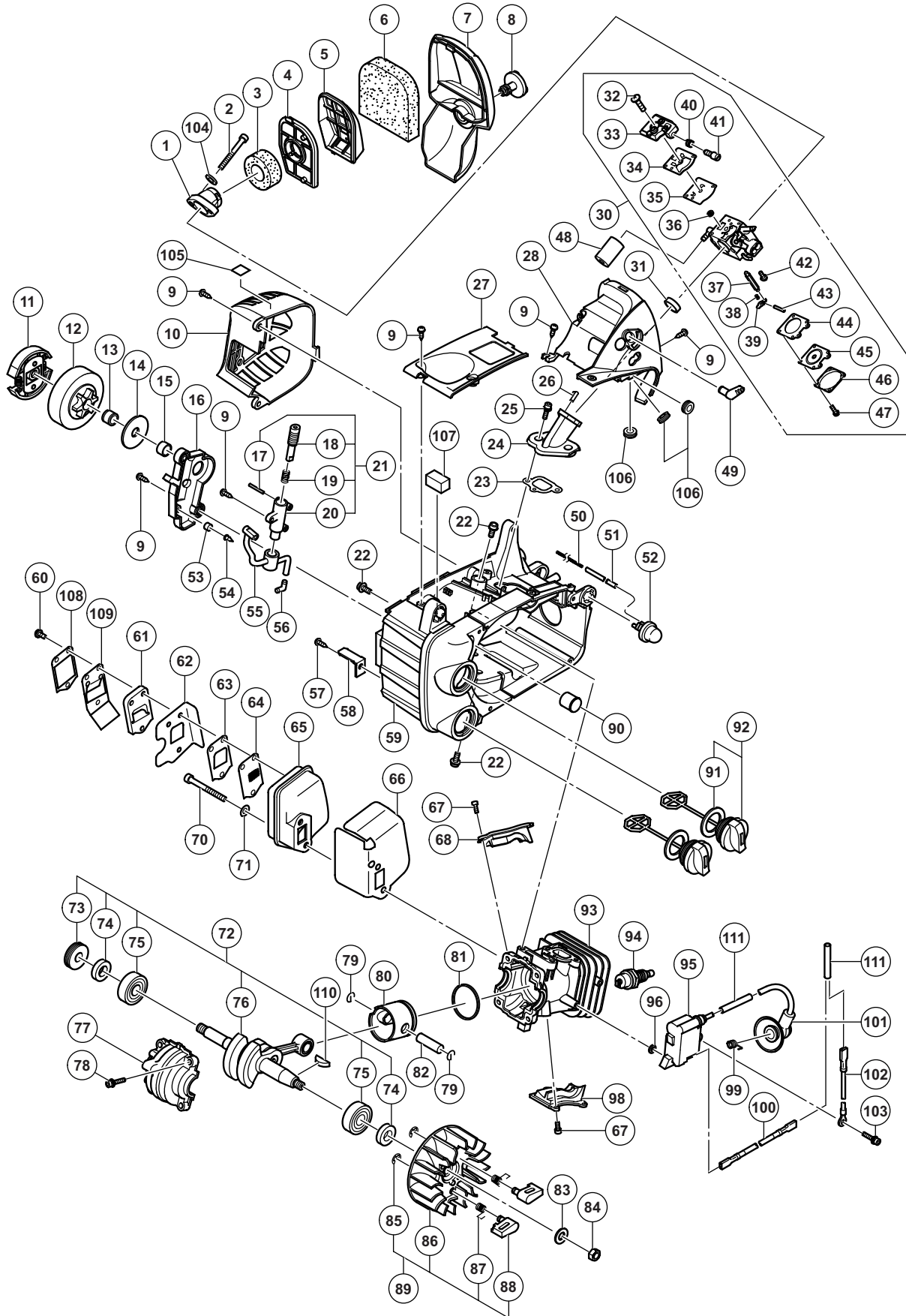
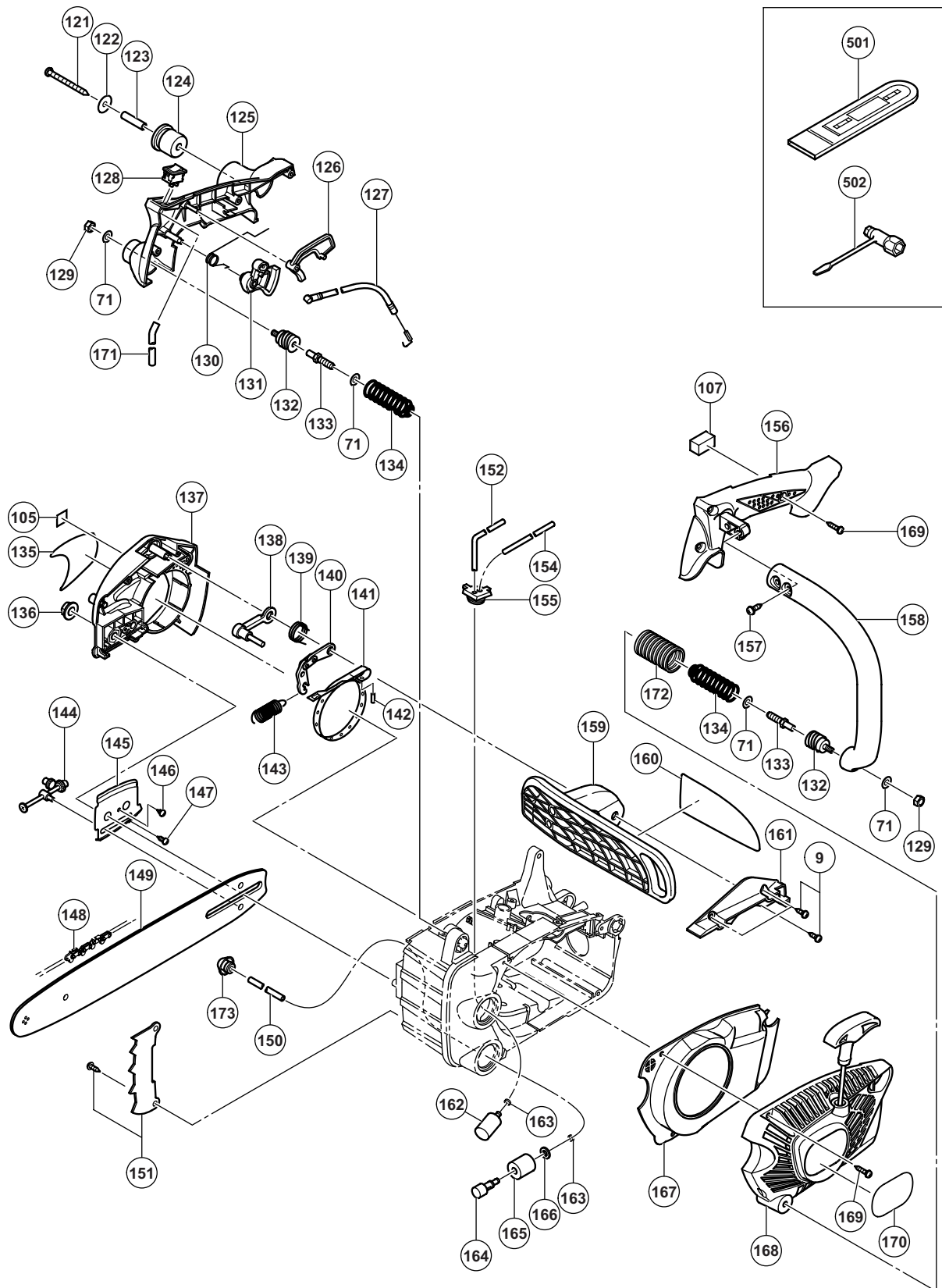


ENGINE TOOL PARTS LIST

ENGINE CHAIN SAW Model CS 33EDT

2011-11-18
(E2)





PARTS

CS 33EDT

ITEM NO.	CODE NO.	DESCRIPTION	NO USED	REMARKS
1	668-5225	AIR CLEANER BASE	1	
2	949-824	HEX. SOCKET HD. BOLT M5 X 45 (10 PCS.)	2	
3	669-6826	CLEANER SPONGE (B)	1	
4	668-5230	CLEANER ELEMENT A COMP.	1	
5	668-5231	CLEANER ELEMENT B COMP.	1	
6	669-6825	CLEANER SPONGE (A)	1	
7	669-6785	CLEANER COVER	1	
8	669-6786	CLEANER KNOB	1	
9	305-812	TAPPING SCREW (W/FLANGE) D4 X 16 (BLACK)	13	
10	669-6821	MUFFLER COVER	1	
11	669-6809	CLUTCH	1	
12	669-8856	CLUTCH HOUSING	1	
13	668-5361	NEEDLE BEARING (D)	1	
14	668-5414	CLUTCH WASHER	1	
15	668-5360	CRANK SHAFT COLLAR	1	
16	669-6789	OIL PUMP COVER	1	
17	668-5356	NEEDLE ROLLER 2.5 X 19.8	2	
18	668-5354	PUMP GEAR	1	
19	668-5355	PUMP GEAR SPRING	1	
20	668-5353	PUMP CASE	1	
21	669-6788	PUMP ASS'Y	1	INCLUD. 17-20
22	668-5136	SEAL LOCK BOLT M5 X 15	5	
23	669-8849	INTAKE PACKING	1	
24	669-6794	INTAKE	1	
25	669-8385	HEX. SOCKET HD. BOLT M4 X 12	2	
26	668-5203	PULSE GUIDE	1	
27	669-6812	ENGINE CASE COVER	1	
28	669-6792	CLEANER BODY	1	
30	669-6795	CARBURETOR ASS'Y	1	INCLUD. 32-47
31	669-8857	INLET SPACER	1	
32	668-5210	SCREW	1	
33		PUMP BODY	1	
34	668-5212	PUMP GASKET	1	
35	668-5213	PUMP DIAPHRAGM	1	
36	668-4700	INLET SCREEN	1	
37	668-5215	NEEDLE VALVE	1	
38	668-5216	VALVE SPRING	1	
39	668-5217	CONTROL LEVER	1	
40	668-5297	IDLE ADJUST SPRING	1	
41		IDLE ADJUST SCREW	1	
42	668-5218	HINGE PIN SET SCREW	1	
43	668-5219	HINGE PIN	1	
44	668-5220	DIAPHRAGM PACKING-METERING	1	
45	668-4690	METERING DIAPHRAGM	1	
46	668-5222	DIAPHRAGM COVER-METERING	1	
47	668-5223	SET SCREW	4	
48	669-6793	IDOL SPONGE	1	
49	668-5206	CHOKE LEVER	1	
50	669-8699	PROTECTIVE COIL	1	
51	669-8850	FUEL PIPE 2.5 X 4 X 47	1	

PARTS

CS 33EDT

ITEM NO.	CODE NO.	DESCRIPTION	NO. USED	REMARKS
52	668-5139	PRIMING PUMP COMP.	1	
53	668-5371	AIR VENT SPONGE	1	
54	668-5370	AIR VENT VALVE (B)	1	
55	669-6811	OIL PIPE	1	
56	668-5358	PIPE JOINT	1	
57	669-8456	FLANGED TAPPING SCREW D5 X 15	1	
58	668-5363	CHAIN CATCHER	1	
59	669-6807	ENGINE CASE ASS'Y	1	INCLUD. 54, 90
60	935-196	MACHINE SCREW (W/WASHERS) M4 X 12 (BLACK)	3	
61	669-6816	EXHAUST PIPE	1	
62	669-6818	MUFFLER SPECIAL PACKING	1	
63	669-6817	GAUZE FIXING PLATE	1	
64	669-6815	MUFFLER GAUZE	1	
65	669-6814	MUFFLER	1	
66	669-6820	MUFFLER PACKING	1	
67	949-812	HEX. SOCKET HD. BOLT M4 X 10 (10 PCS.)	6	
68	669-6766	SCAVENGING COVER (B)	1	
70	669-6819	HEX. SOCKET HD. BOLT M6 X 55	2	
71	949-432	BOLT WASHER M6 (10 PCS.)	6	
72	669-8853	CRANK WORM ASS'Y	1	INCLUD. 73-76
73	668-5330	WORM	1	
74	668-5329	OIL SEAL	2	
75	668-5328	BALL BEARING	2	
76	669-6762	CRANK SHAFT	1	
77	669-6767	CRANK CASE	1	
78	669-8386	HEX. SOCKET HD. BOLT (W/SP. WASHER) M5 X 18	4	
79	668-5326	CIRCLIP	2	
80	669-8806	PISTON (M)	1	
81	668-5331	PISTON RING (XR1-1856)	1	
82	669-6764	PISTON PIN	1	
83	668-5103	BOLT WASHER M7	1	
84	668-5104	FLYWHEEL NUT	1	
85	668-5336	RETAINING RING D4	2	
86	669-7026	MAGNETO ROTOR COMP.	1	
87	668-5335	STARTER PAWL SPRING	2	
88	668-5334	STARTER PAWL	2	
89	668-5102	MAGNETO ROTOR ASS'Y	1	INCLUD. 85-88
90	668-5351	INNER CAP	1	
91	668-5179	TANK CAP PACKING	2	
92	669-8854	FUEL TANK CAP ASS'Y (VERMILION)	2	INCLUD. 91
93	669-6761	CYLINDER	1	
94	668-5782	SPARK PLUG BPMR7A	1	
95	669-8867	IGNITION COIL	1	
96	669-8700	GLASS WASHER	2	
98	669-6765	SCAVENGING COVER (A)	1	
99	669-6772	METAL FITTING OF PLUG CAP (A)	1	
100	669-6787	CORD (A)	1	
101	669-6771	SPARK PLUG CAP	1	
102	669-6791	CORD (B)	1	
103	669-8388	HEX. SOCKET HD. BOLT (W/WASHERS) M4 X 18	2	

PARTS

CS 33EDT

ITEM NO.	CODE NO.	DESCRIPTION	NO USED	REMARKS	
104	668-5226	WASHER M5 (BLACK)	2		
105	669-8864	CAUTION LABEL (HOT)	2		
106	669-8787	GROMMET	3		
107	669-8860	PROTECTION SHEET	2		
108	669-8861	PACKING PLATE	1		
109	669-8862	MUFFLER SPECIAL PACKING (S)	1		
110	668-4899	WOODRUFF KEY 3 X 13 X 4.5	1		
111	669-8863	CORD INSULATION TUBE	2		
121	316-458	TAPPING SCREW D5 X 40 (BLACK)	1		
122	669-8858	WASHER 1.0	1		
123	669-6800	COLLAR 28.2	1		
124	669-6775	DAMPER	1		
125	669-6774	REAR HANDLE (B)	1		
126	668-5244	TRIGGER LOCKOUT	1		
127	669-6797	THROTTLE WIRE	1		
128	669-6940	STOP SWITCH	1		
129	669-8449	NUT M6	2		
130	669-8691	THROTTLE LEVER SPRING	1		
131	668-5242	THROTTLE LEVER	1		
132	669-8409	SPRING HOLDER	2		
133	669-8859	DAMPER SET BOLT	2		
134	669-8428	ANTIVIBRATION SPRING	2		
135		NAME PLATE	1		
136	669-8581	FLANGE NUT M8	1		
137	669-6776	SIDE CASE (VERMILION)	1		
138	669-6782	BRAKE SUPPORT PLATE	1		
139	669-6783	BRAKE LEVER SPRING	1		
140	668-5388	BRAKE LINK	1		
141	668-5140	BRAKE BAND	1		
142	668-5391	NEEDLE ROLLER D3	1		
143	668-5389	BRAKE SPRING	1		
144	668-5393	CHAIN PULLER	1		
145	669-6784	GUIDE PLATE (B)	1		
146	696-352	TAPPING SCREW D3	1		
147	958-715	TAPPING SCREW D4 X 10	1		
*	148	668-5170	SAW CHAIN (3/8 X 12") 91VG-45E	1	
*	148	668-5171	SAW CHAIN (3/8 X 14") 91VG-52E	1	
*	149	669-6990	CHAIN BAR 12 INCH 3/8 SPROCKET PRC	1	
*	149	669-6991	CHAIN BAR 14 INCH 3/8 SPROCKET PRC	1	
	150	669-8715	FUEL PIPE	1	
*	151	669-6827	SPIKE SET	1	FOR EUROPE, RUS, AUS, NZL, CHN
	152	669-8851	FUEL PIPE (FKM) L240	1	
	154	669-8852	FUEL PIPE (FKM) L260	1	
	155	669-6167	FUEL GROMMET	1	
	156	669-6773	REAR HANDLE (A)	1	
	157	303-273	TAPPING SCREW (W/FLANGE) D5 X 16	2	
	158	669-6798	FRONT HANDLE	1	
	159	669-8866	BRAKE HANDLE	1	
*	160		CAUTION LABEL (B)	1	
*	160		CAUTION LABEL (C)	1	FOR EUROPE

