

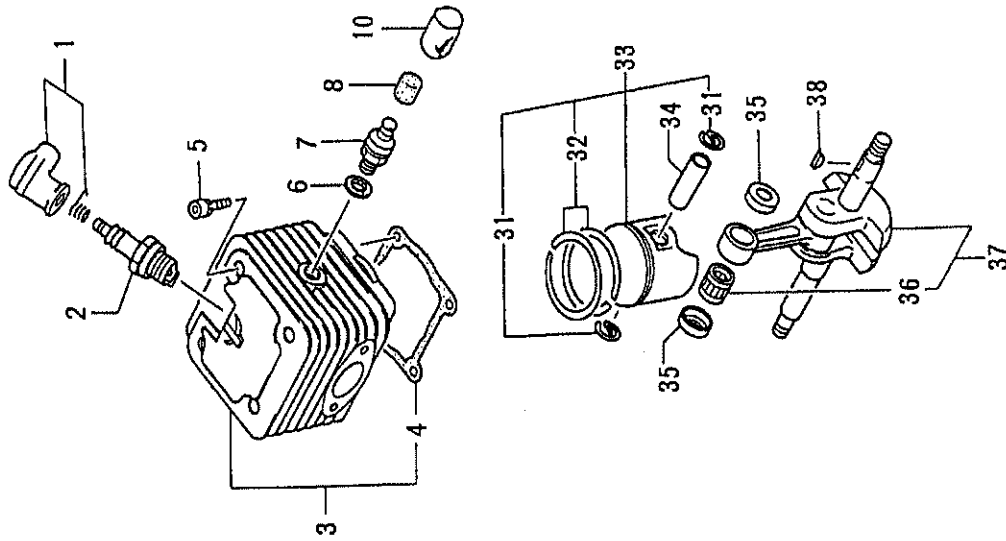
C07

CS33EL

Serial No.

C07-01

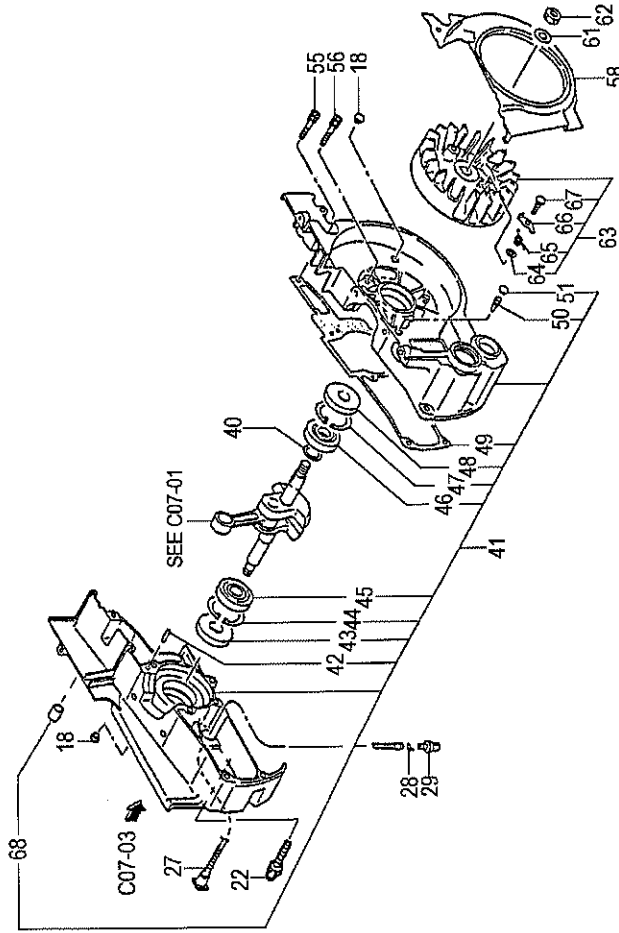
CS33EL CYLINDER/PISTON/CRANK SHAFT



REF. NUMBER	PARTS NUMBER	DESCRIPTION	Q'TY	SERIAL NUMBER
001	668-7468	SPARK PLUG CAP ASS'Y	1	
002	668-5782	SPARK PLUG BPMR7A	1	
003	668-5465	CYLINDER SET	1	
004	668-5732	CYLINDER PACKING	1	
005	669-5491	HEX. HOLE BOLT 5X20S	4	
006	668-5860	DECOMP. VALVE GASKET	1	
007	668-5589	DECOMPRESSION COMP.	1	
008	668-5800	DECOMP. COVER	1	
010	669-0808	DUST COVER	1	
031	668-6026	PISTON PIN CIRCLIP	2	
032	668-6125	PISTON RING, 42.7 DIA.	2	
033	668-5884	PISTON SET, SPARE	1	
034	668-6007	PISTON PIN 10X30	1	
035	668-5993	PISTON PIN COLLAR	2	
036	669-5602	NEEDLE BEARING, 2X8.8	1	
037	668-6183	CRANK SHAFT COMP.	1	
038	668-4899	WOODRUFF KEY 3X13X4.5	1	

C07-02

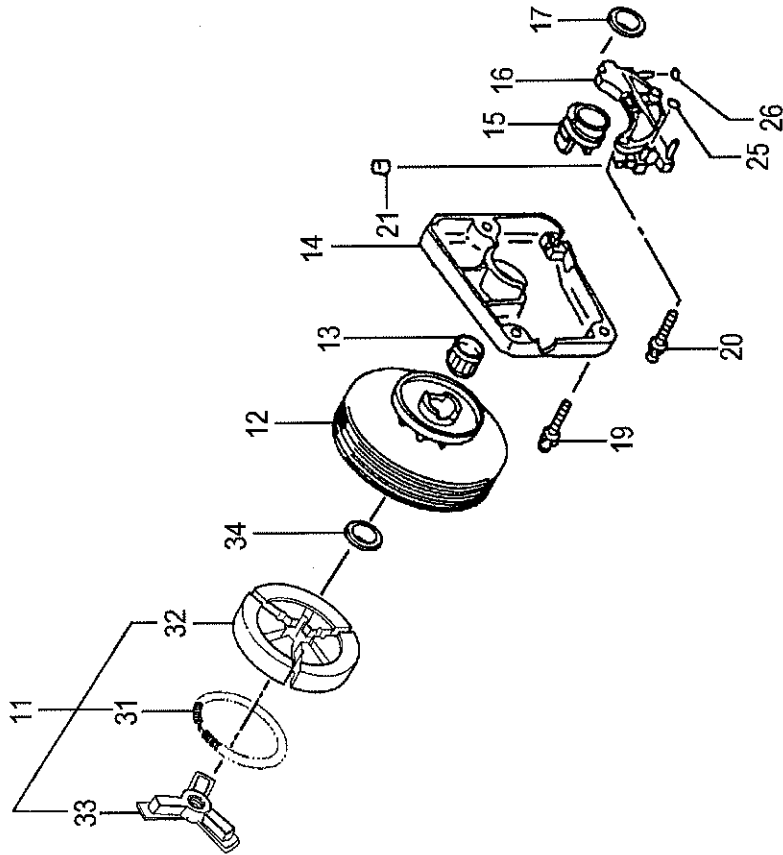
CS33EL CRANK CASE



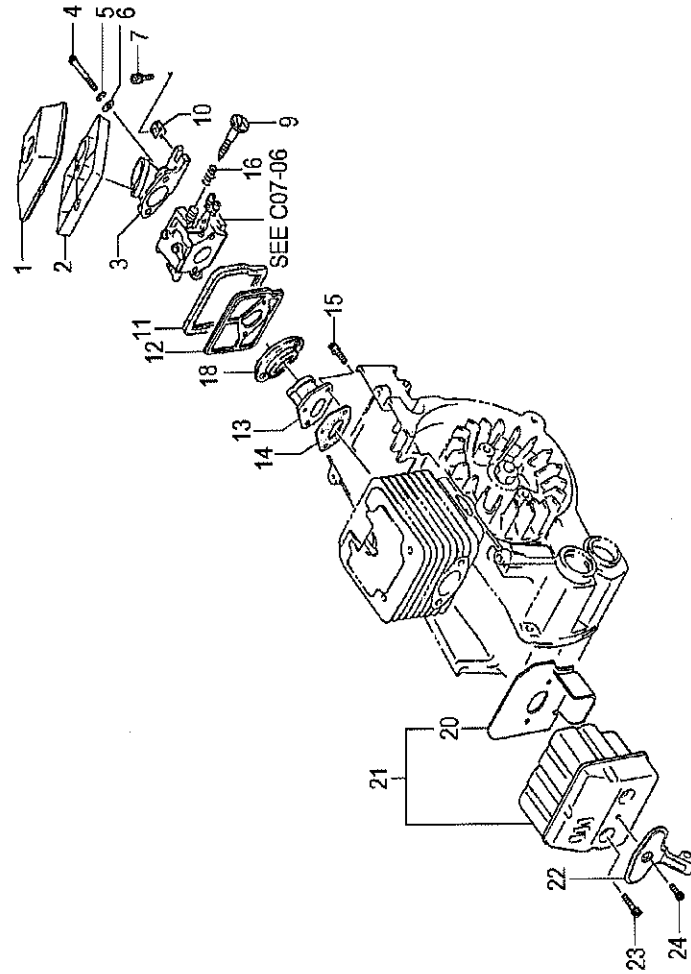
REF. NUMBER	PARTS NUMBER	DESCRIPTION	QTY	SERIAL NUMBER
018	668-816	SIDE DUMPER	2	
022	669-507	HEX HOLE SCREW 5X35	1	
027	669-121	OIL PIPE A	1	
028	669-231	CLIP 7	1	
029	669-091	OIL FILTER BODY COMP.	1	
040	668-647	SHIM 0.1	V	
040	668-509	SHIM S T0.2	V	
040	668-509	SHIM S T0.3	V	
040	668-647	SHIM 0.4	V	
041	668-654	CRANK CASE ASSY	1	
042	669-552	KNOCK PIN 4X12	2	
043	669-563	OIL SEAL ISMX12325.5	1	
044	669-529	STOP RING C-32, INNER	1	
045	668-509	BALL BEARING 6201 A2C3	1	
046	668-509	BALL BEARING 6201 A2C3	1	
047	669-529	STOP RING C-32, INNER	1	
048	669-563	OIL SEAL ISMX12325.5	1	
049	668-671	CRANKCASE GASKET	1	
050	668-517	AIR VENT VALVE (B)	1	
051	669-139	AIR VENT COVER	1	
055	668-458	HEX HOLE BOLT M5X18/S	3	
056	668-478	HEX SOCKET HD. BOLT M5X30 S	3	
058	668-720	AIR DEFLECTOR	1	
061	668-461	WASHER M8	1	
062	668-461	HEX NUT M8	1	
063	668-739	MAGNETO ROTOR ASSY	1	
064	668-794	SPECIAL WASHER	2	
065	669-334	PAWL SPRING	2	
066	669-330	STARTER PAWL	2	
067	669-336	STEP BOLT	2	
068	668-810	HANDLE DAMPER	1	

C07-03

CS33EL CLUTCH/OIL PUMP

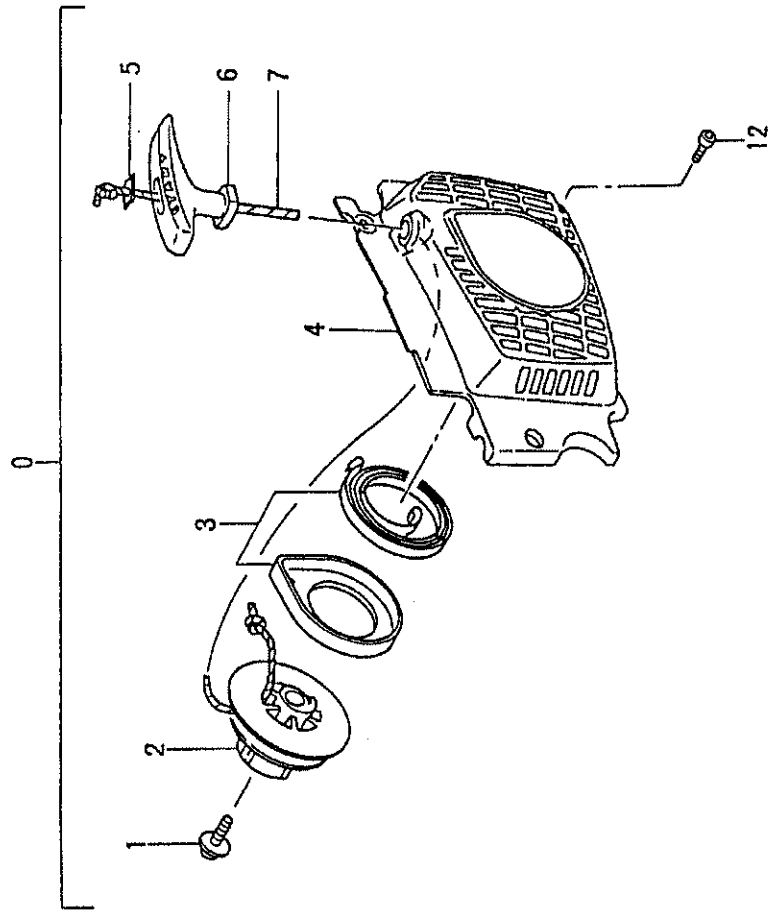


REF. NUMBER	PARTS NUMBER	DESCRIPTION	QTY	SERIAL NUMBER
011	668-8489	CLUTCH ASSY, M9	1	
012	668-9009	CLUTCH HOUSING COMP.7T	1	
013	669-5606	NEEDLE BEARING KT111410G	1	
014	668-6755	OIL PUMP COVER	1	
015	668-6640	SCREW GEAR COMP.	1	
016	668-7331	OIL PUMP COMP.	1	
017	668-6452	PINION WASHER 1T	1	
019	669-5403	SMALL SCREW 4X12WS	3	
020	669-5407	HIGH TENSION SCREW 4X18WS	2	
021	668-6661	RELEASE VALVE	1	
025	669-5659	O-RING S-3	1	
026	669-5661	O-RING P-5	1	
031	668-9426	CLUTCH SPRING	1	
032	668-9493	CLUTCH SHOE	3	
033	668-9497	CLUTCH BOSS	1	
034	668-9642	CLUTCH WASHER B	1	

C07-04**CS33EL AIR CLEANER/MUFFLER**

REF. NUMBER	PARTS NUMBER	DESCRIPTION	QTY	SERIAL NUMBER
001	669-033	AIRCLENER ELEMENT B COMP	1	
002	669-032	AIRCLENER ELEMENT A COMP	1	
003	669-019	AIRCLENER BASE COMP.	1	
004	669-505	HEX. HOLE BOLT 5X45	2	
005	668-466	S. WASHER 5	2	
006	668-486	SMALL WASHER 5	2	
007	669-551	HEX. HOLE BOLT 5X15WS	1	
009	668-799	IDLE ADJUSTMENT SCREW	1	
010	668-794	SPECIAL WASHER	1	
011	669-000	CARB. INSULATOR, RUBBER	1	
012	668-994	INSULATOR COMP.	1	
013	668-978	INLET MANIFOLD COMP.	1	
014	668-987	INLET MANIFOLD GASKET	1	
015	668-459	HEX.HOLE BOLT M4X12/S	2	
016	669-076	IDLE ADJUST SPRING	1	
018	668-520	INLET MANIFOLD SPACER	1	
020	669-273	MUFFLER GASKET	1	
021	669-245	MUFFLER SET	1	
022	669-294	MUFFLER STAY	1	
023	668-490	HEX.HOLE BOLT M5X16/S	2	
024	669-503	HEX. HOLE BOLT 4X10	1	

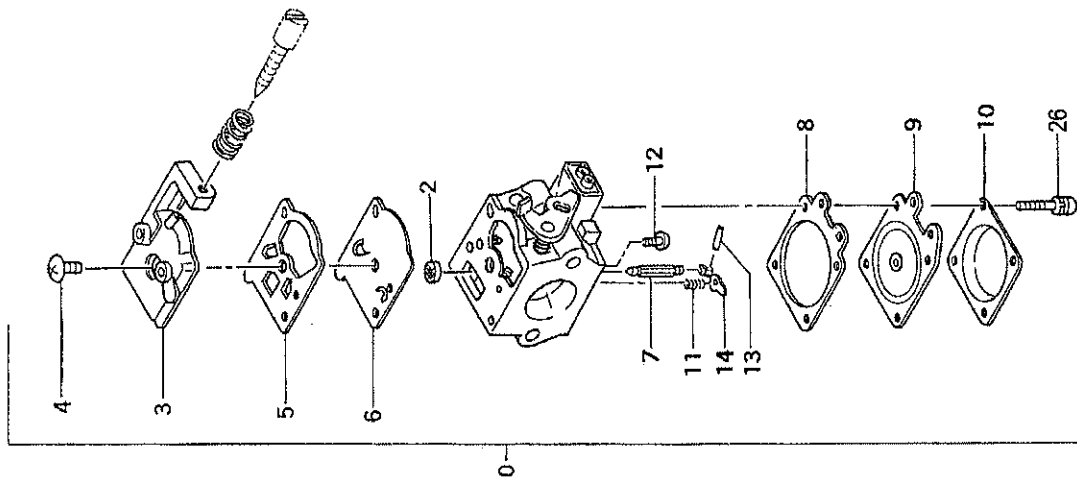
C07-05 CS33EL RECOIL STARTER



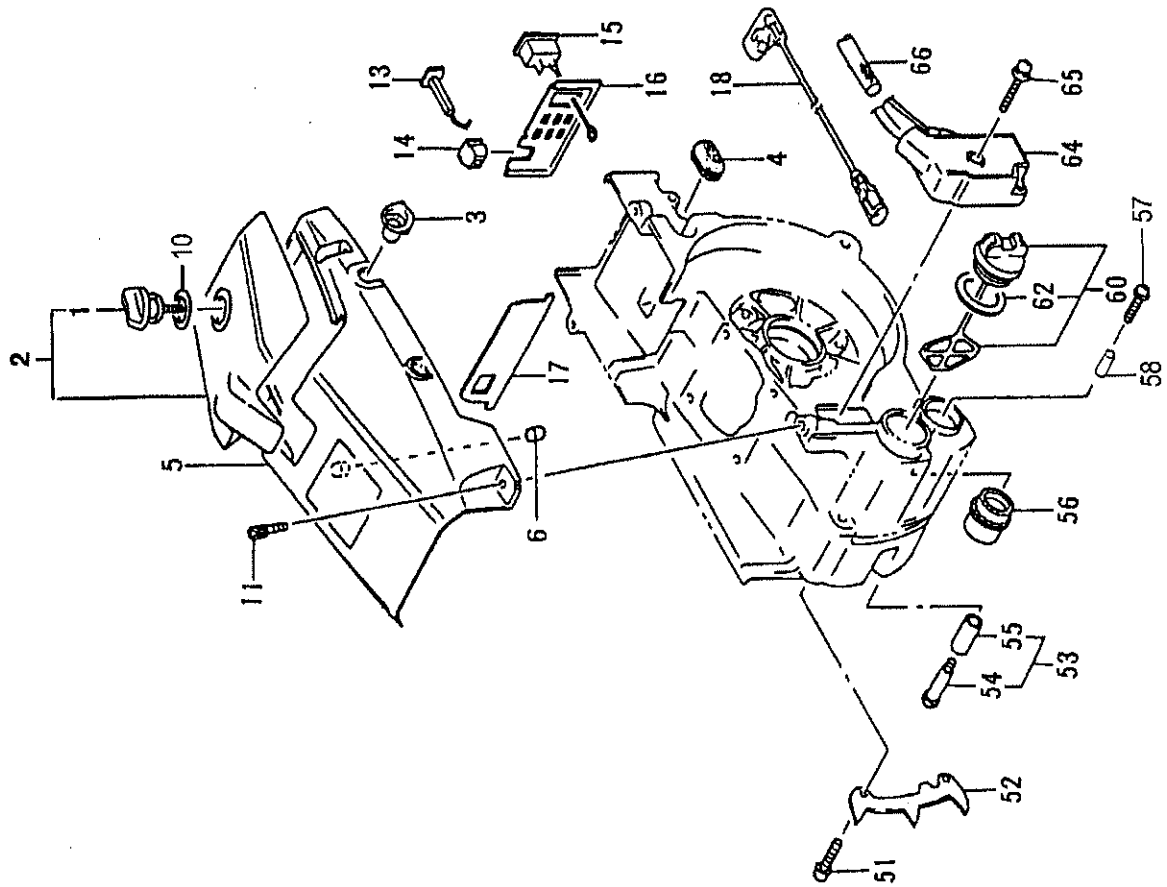
REF. NUMBER	PARTS NUMBER	DESCRIPTION	Q'TY	SERIAL NUMBER
000	669-291	RECOIL STARTER ASSY	1	
001	669-363	SET SCREW	1	
002	669-305	STARTER ROPE REEL	1	
003	669-309	RECOIL SPRING CASE	1	
004	668-696	FAN CASE COMP.	1	
005	668-518	PLATE	1	
006	669-323	STARTER HANDLE	1	
007	669-315	STARTER ROPE	1	
012	669-551	HEX. HOLE BOLT 5X15WS	3	

C07-06

CS33EL CARBURETOR

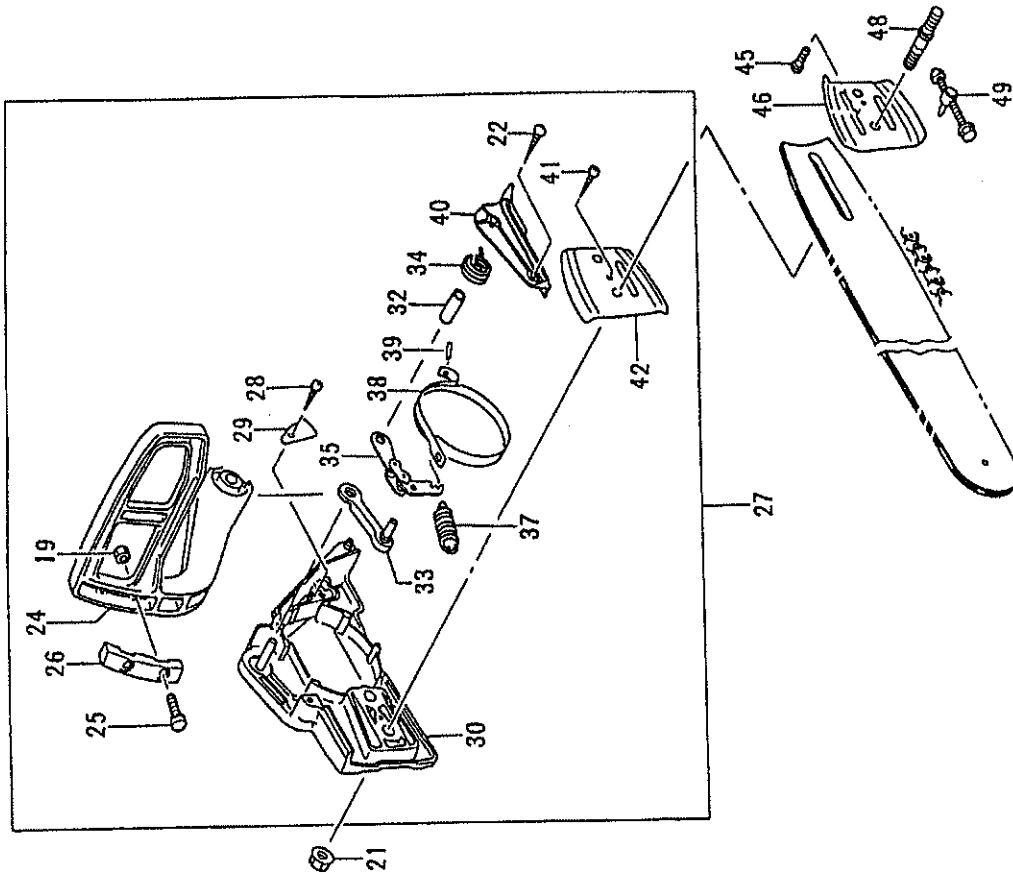


REF. NUMBER	PARTS NUMBER	DESCRIPTION	Q'TY	SERIAL NUMBER
000	669-060	CARBURETOR ASS'Y WT-497A	1	
002	668-470	INLET SCREEN	1	
003	669-141	PUMP BODY	1	
004	668-521	SCREW	1	
005	668-521	PUMP GASKET	1	
006	668-521	PUMP DIAPHRAGM	1	
007	668-521	NEEDLE VALVE	1	
008	668-522	DIAPHRAGM PACKING	1	
009	669-082	METERING DIAPHRAGM COMP.	1	
010	668-522	DIAPHRAGM COVER	1	
011	669-087	VALVE SPRING	1	
012	668-521	HINGE PIN SET SCREW	1	
013	668-521	HINGE PIN	1	
014	668-521	CONTROL LEVER	1	
026	668-522	SET SCREW	4	

C07-07**CS33EL IGNITION COIL/COVER**

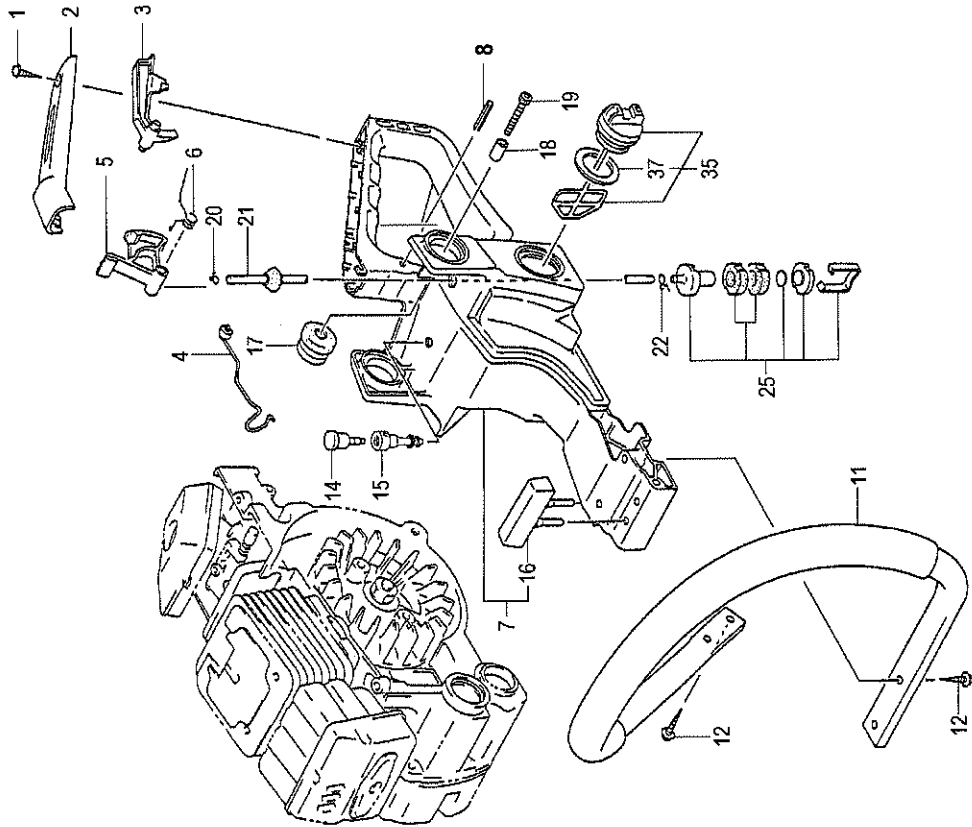
REF. NUMBER	PARTS NUMBER	DESCRIPTION	Q'TY	SERIAL NUMBER
001	668-779	AIRCLENER KNOB COMP.	1	
002	669-040	CLENER COVER SET, SPARE	1	
003	668-797	IDLE GROMMET	1	
004	668-795	ADJUSTER CAP	1	
005	668-568	CYLINDER COVER	1	
006	669-182	CYLINDR SUPPORT RUBBER	1	
010	669-005	CLENER PACKING	1	
011	669-551	HEX. HOLE BOLT 5X15WS	3	
013	669-250	CHOKE BUTTON COMP.	1	
014	669-258	CHOKE ROD HOLDING RUBBER	1	
015	668-750	STOP SWITCH COMP.	1	
016	669-119	CONTROL PLATE	1	
017	668-795	SHUTTER PLATE	1	
018	668-792	STOP CORD, B225M	1	
051	668-466	HEX.HOLE BOLT M5X12/S	2	
052	669-070	BUMPER SPIKE	1	
053	668-716	CHAIN CATCHER	1	
054	668-973	SPECIAL BOLT	1	
055	668-515	FUEL PIPE	1	
056	668-811	DAMPER COMP.	2	
057	669-510	TAPPING SCREW 5X35	2	
058	669-224	COLLAR 15	2	
060	668-517	OIL TANK CAP ASS'Y	1	
062	668-517	OIL TANK CAP PACKING	1	
064	668-769	IGNITION COIL COMP.	1	
065	668-459	HEX.HOLE BOLT M4X18/WS	2	
066	668-831	INSULATOR TUBE, 85L	1	

C07-08 CS33EL SIDE CASE/CHAIN BRAKE



REF. NUMBER	PARTS NUMBER	DESCRIPTION	Q'TY	SERIAL NUMBER
019	668-506	NUT M4	2	
021	668-710	CHAIN BAR CLAMP NUT	2	
022	669-528	TAP SCREW 4X14 P	3	
024	669-345	FRONT HAND GUARD	1	
025	668-506	MACHINE SCREW (W/SP. WASHER)	2	
026	669-348	HAND GUARD WEIGHT	1	
027	668-609	SIDE CASE ASS'Y	1	
028	668-516	TAPPING SCREW D4X10	1	
029	668-971	BRAKE BAND HOLDER	1	
030	668-604	SIDE COVER COMP.	1	
032	669-080	CLEANER FIXING COLLAR	1	
033	668-977	BRAKE SUPPORT FITTING COMP	1	
034	668-978	BRAKE LEVER SPRING	1	
035	668-512	BRAKE LINK COMP.	1	
037	668-970	BRAKE SPRING	1	
038	668-972	BRAKE BAND	1	
039	668-514	NEEDLE ROLLER 3X9.8	1	
040	668-970	BRAKE LINK COVER	1	
041	668-516	TAPPING SCREW D4X10	1	
042	669-075	GUIDE PLATE B	1	
045	669-486	SCREW 4X8	1	
046	669-072	GUIDE PLATE A	1	
048	668-680	CHAIN BAR STUD BOLT	2	
049	668-707	CHAIN TENSION BOLT ASSY	1	

C07-09 CS33EL HANDLE



REF. NUMBER	PARTS NUMBER	DESCRIPTION	QTY	SERIAL NUMBER
001	669-510	TAPPING SCREW 5X18	1	
002	668-821	REAR HANDLE GRIP	1	
003	668-835	THROTTLE TRIGGER LOCKOUT	1	
004	669-096	THROTTLE ROD COMP.	1	
005	668-638	THROTTLE LEVER	1	
006	668-641	THROTTLE LEVER SPRING	1	
007	668-566	REAR HANDLE ASSY	1	
008	668-528	SPRING PIN 5X25	1	
011	668-807	FRONT HANDLE COMP.	1	
012	669-510	TAPPING SCREW 5X18	4	
014	669-217	AIR VENT VALVE ASSY	1	
015	669-139	AIRVENT PIPE	1	
016	668-824	FRONT DAMPER	1	
017	668-826	DAMPER COMP.	2	
018	668-847	DAMPERS COLLAR	2	
019	669-503	HEX. HOLE BOLT 4X20	2	
020	669-231	CLIP 5.2	1	
021	668-817	FUEL PIPE ASSY L=195	1	
022	668-461	CLIP 6.3 DIA.	1	
025	669-228	PUMP FILTER BODY ASSY	1	
035	669-211	TANKCAP ASSY	1	
037	668-517	TANK CAP PACKING	1	

REF. NUMBER	PARTS NUMBER	DESCRIPTION	Q'TY	SERIAL NUMBER
001	668-688	CHAIN BAR 13	1	
010	668-727	BAR CHAIN 0.325	1	
022	668-525	CHAIN COVER 14"	1	
050	669-380	COMBI. BOX SPANNER 13X19 MINU	1	
051	668-663	4X50 MINUS DRIVER	1	

C07-10 CS33EL COVER/CHAIN/CHAIN BAR/TOOLS

CS33EL

1 (for 13 inch)

10

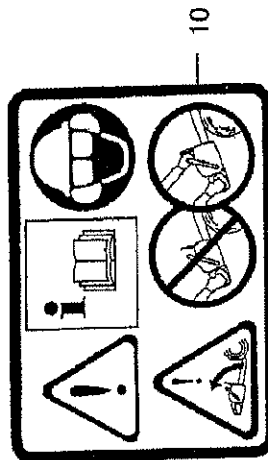
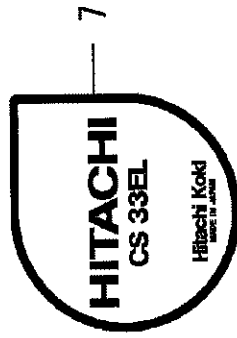
22 (for 13-14 inch)

50

51

C07-11

CS33EL LABELS



REF. NUMBER	PARTS NUMBER	DESCRIPTION	Q'TY	SERIAL NUMBER
001	669-440	NAME PLATE CS33EL	1	
007	669-450	STARTER MARK CS33EL	1	
010	669-444	CAUTION MARK A	1	