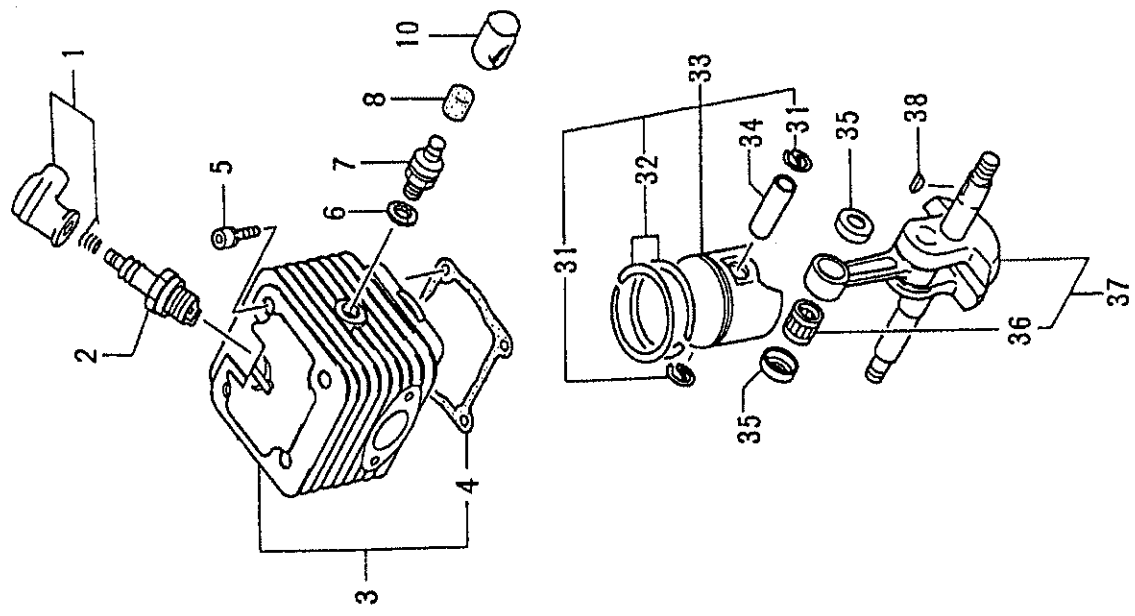


C06

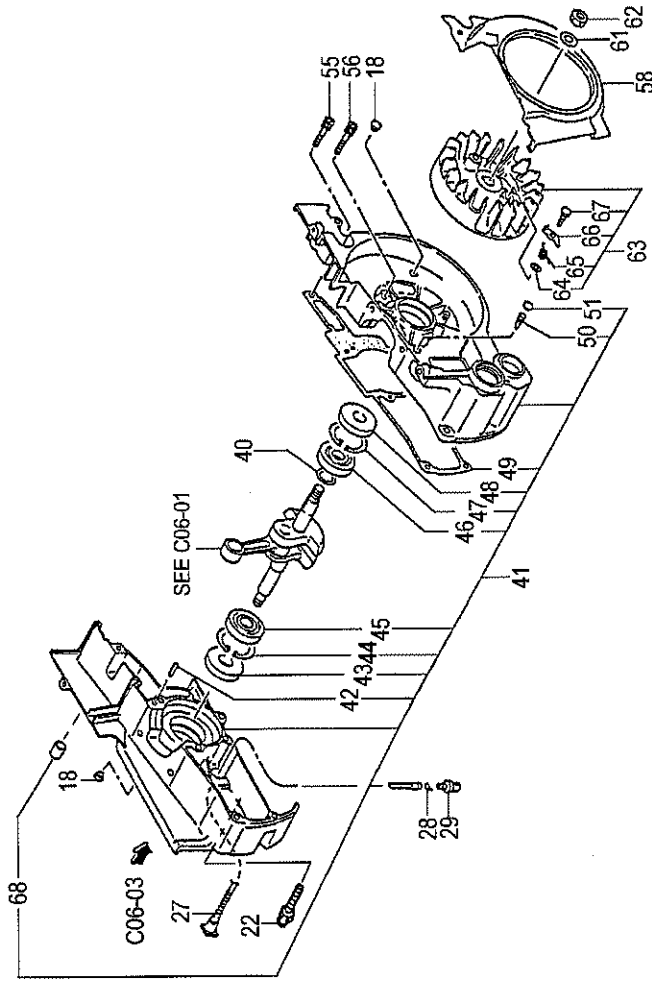
CS38EK

Serial No.

C06-01 CS38EK CYLINDER/PISTON/CRANK SHAFT



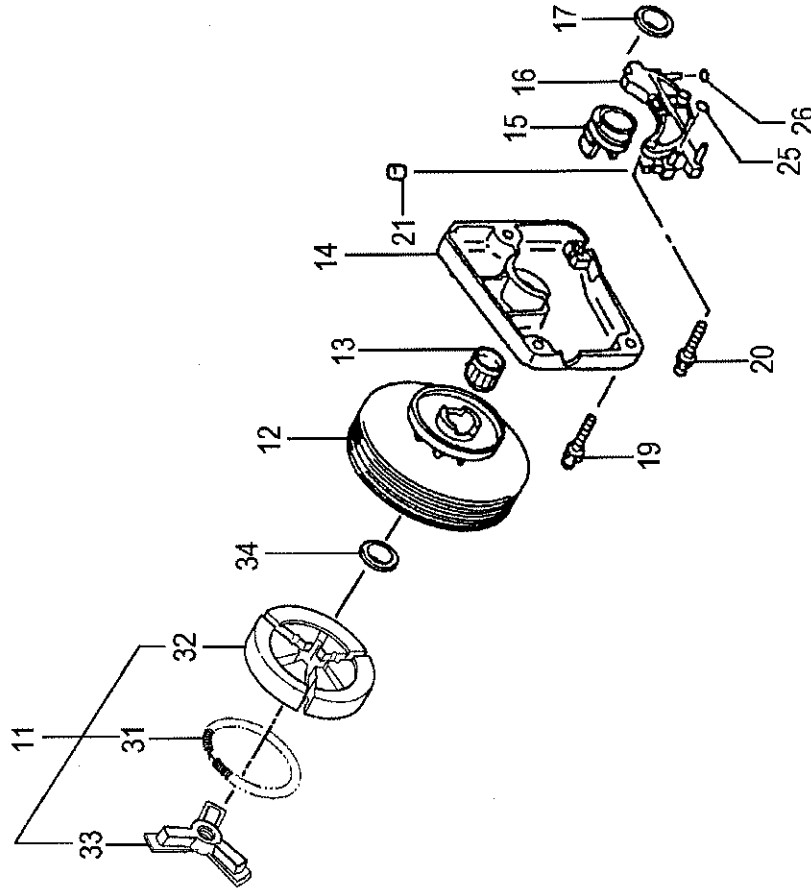
REF. NUMBER	PARTS NUMBER	DESCRIPTION	QTY	SERIAL NUMBER
001	668-7468	SPARK PLUG CAP ASSY	1	
002	668-5782	SPARK PLUG BPMR7A	1	
003	668-5464	CYLINDER SET, SPARE	1	
004	668-5731	CYLINDER GASKET	1	
005	669-5491	HEX. HOLE BOLT 5X20S	4	
006	668-5860	DECOMP. VALVE GASKET	1	
007	668-5589	DECOMPRESSION COMP.	1	
008	668-5800	DECOMP. COVER	1	
010	669-0808	DUST COVER	1	
031	668-6026	PISTON PIN CIRCLIP	2	
032	668-6124	PISTON RING, PARKER	2	
033	668-5883	PISTON SET, SPARE	1	
034	668-6007	PISTON PIN 10X30	1	
035	668-5993	PISTON PIN COLLAR	2	
036	669-5602	NEEDLE BEARING, 2X8.8	1	
037	668-6182	CRANKSHAFT COMP.	1	
038	668-4899	WOODRUFF KEY 3X13X4.5	1	

C06-02**CS38EK CRANK CASE**

REF. NUMBER	PARTS NUMBER	DESCRIPTION	QTY	SERIAL NUMBER
018	668-8164	SIDE DUMPER	2	
022	669-5076	HEX HOLE SCREW 5X35	1	
027	669-1219	OIL PIPE A	1	
028	669-2312	CLIP 7	1	
029	669-0914	OIL FILTER BODY COMP.	1	
040	668-5098	SHIM S T0.2	V	
040	668-5099	SHIM S T0.3	V	
040	668-6475	SHIM 0.4	V	
041	668-6541	CRANK CASE ASS'Y	1	
042	669-5521	KNOCK PIN 4X12	2	
043	669-5633	OIL SEAL ISMX12325.5	1	
044	669-5295	STOP RING C-32, INNER	1	
045	668-5096	BALL BEARING 6201 A2C3	1	
046	668-5096	BALL BEARING 6201 A2C3	1	
047	669-5295	STOP RING C-32, INNER	1	
048	669-5633	OIL SEAL ISMX12325.5	1	
049	668-6710	CRANKCASE GASKET	1	
050	668-5173	AIR VENT VALVE (B)	1	
051	669-1399	AIR VENT COVER	1	
055	668-4586	HEX.HOLE BOLT M5X18/S	3	
056	668-4786	HEX. SOCKET HD. BOLT M	3	
058	668-7207	AIR DEFLECTOR	1	
061	668-4611	WASHER M8	1	
062	668-4612	HEX.NUT M8	1	
063	668-7395	MAGNETO ROTOR ASS'Y	1	
064	668-7942	SPECIAL WASHER	2	
065	669-3348	PAWL SPRING	2	
066	669-3304	STARTER PAWL	2	
067	669-3366	STEP BOLT	2	
068	668-8107	HANDLE DAMPER	1	

C06-03

CS38EK CLUTCH/OIL PUMP



REF. NUMBER

- 011
- 012
- 013
- 014
- 015
- 016
- 017
- 019
- 020
- 021
- 025
- 026
- 031
- 032
- 033
- 034

PARTS NUMBER

- 668-8489
- 668-9009
- 669-5606
- 668-6755
- 668-6640
- 668-7331
- 668-6452
- 669-5403
- 669-5407
- 668-6661
- 669-5659
- 669-5661
- 668-9426
- 668-9493
- 668-9497
- 668-9642

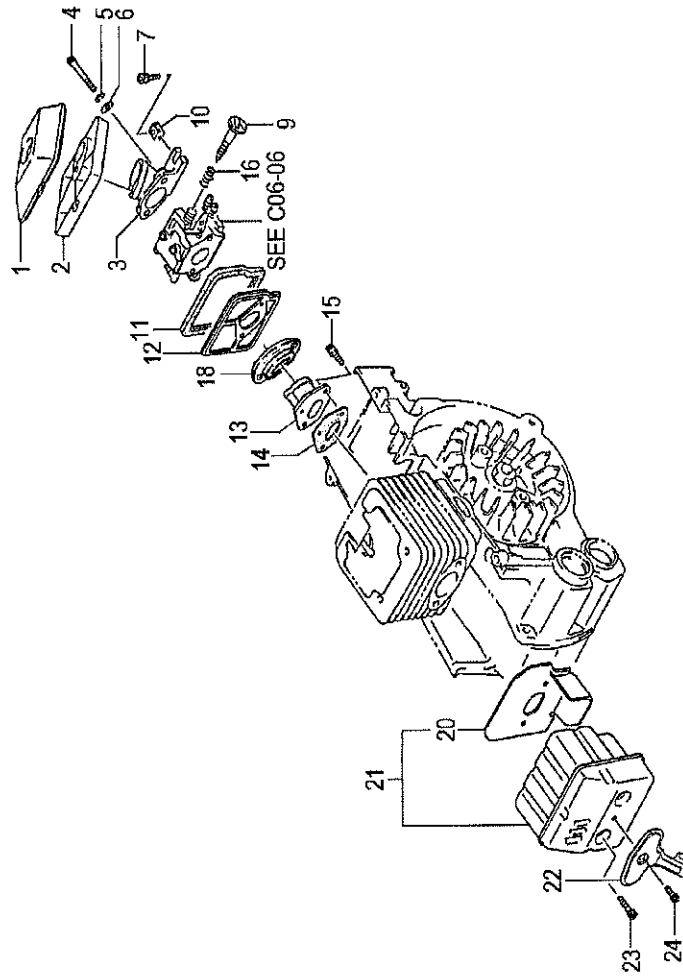
DESCRIPTION

- CLUTCH ASSY, M9
- CLUTCH HOUSING COMP.
- NEEDLE BEARING KT1114
- OIL PUMP COVER
- SCREW GEAR COMP.
- OIL PUMP COMP.
- PINION WASHER 1T
- SMALL SCREW 4X12WS
- HIGH TENSION SCREW 4X
- RELEASE VALVE
- O-RING S-3
- O-RING P-5
- CLUTCH SPRING
- CLUTCH SHOE
- CLUTCH BOSS
- CLUTCH WASHER B

Q'TY

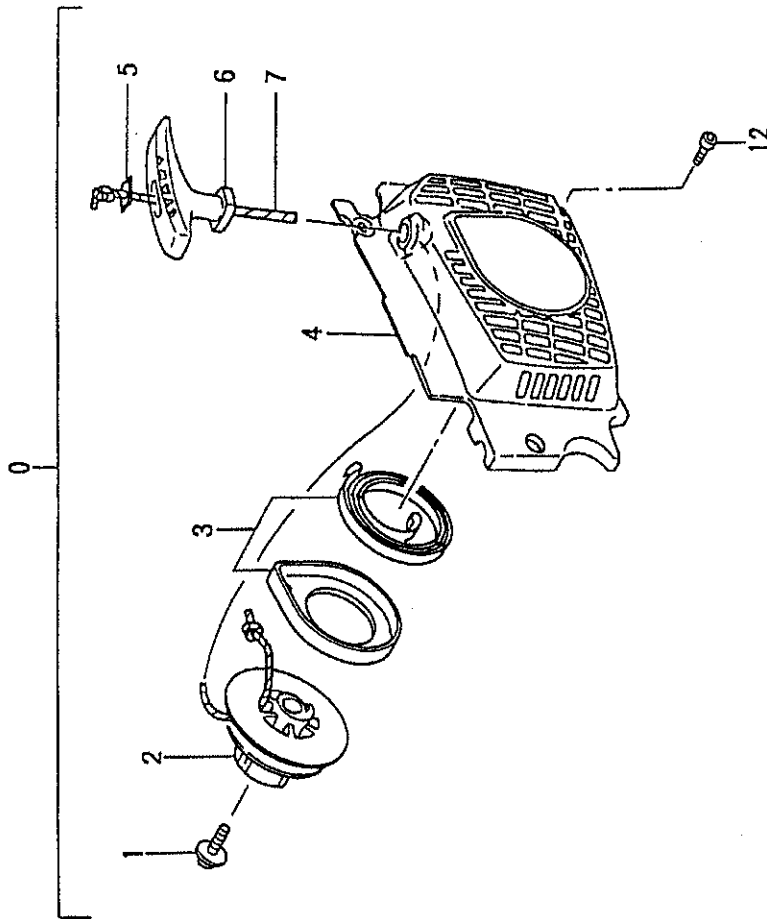
- 1
- 1
- 1
- 1
- 1
- 1
- 1
- 3
- 2
- 1
- 1
- 1
- 1
- 3
- 1
- 1

SERIAL NUMBER

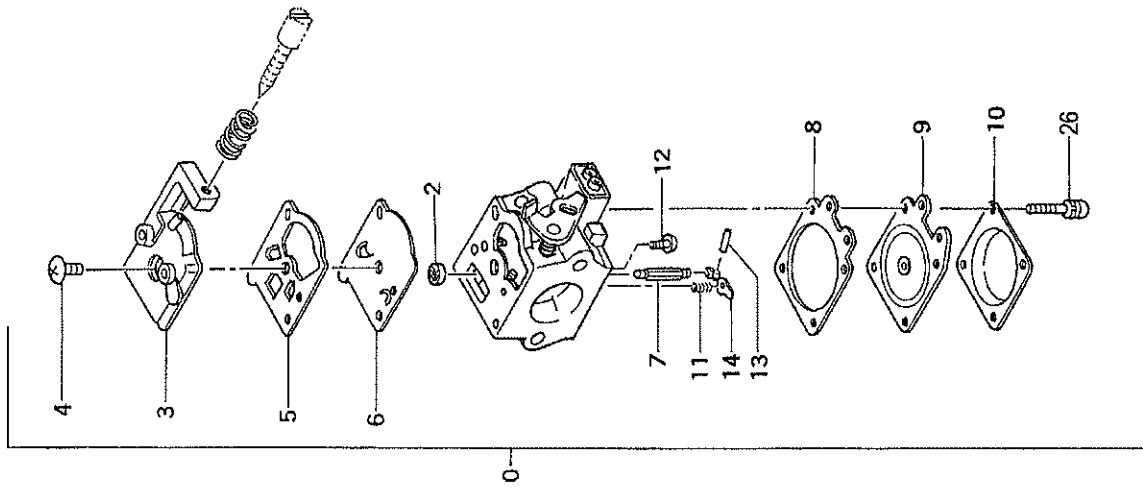
C06-04**CS38EK AIR CLEANER/MUFFLER**

REF. NUMBER	PARTS NUMBER	DESCRIPTION	Q'TY	SERIAL NUMBER
001	669-0335	AIRCLEANER ELEMENT B COMP.	1	
002	669-0325	AIRCLEANER ELEMENT A COMP.	1	
003	669-0198	AIRCLEANER BASE COMP.	1	
004	669-5055	HEX. HOLE BOLT 5X45	2	
005	668-4662	S.WASHER 5	2	
006	668-4864	SMALL WASHER 5	2	
007	669-5512	HEX. HOLE BOLT 5X15WS	1	
009	668-7993	IDLE ADJUSTMENT SCREW	1	
010	668-7943	SPECIAL WASHER	1	
011	669-0004	CARB. INSULATOR, RUBBER	1	
012	668-9941	INSULATOR COMP.	1	
013	668-9789	INLET MANIFOLD COMP.	1	
014	668-9876	INLET MANIFOLD GASKET	1	
015	668-4595	HEX.HOLE BOLT M4X12/S	2	
016	669-0766	IDLE ADJUST SPRING	1	
018	668-5202	INLET MANIFOLD SPACER	1	
020	669-2737	MUFFLER GASKET	1	
021	669-2459	MUFFLER SET	1	
022	669-2942	MUFFLER STAY	1	
023	668-4903	HEX.HOLE BOLT M5X16/S	2	
024	669-5036	HEX. HOLE BOLT 4X10	1	

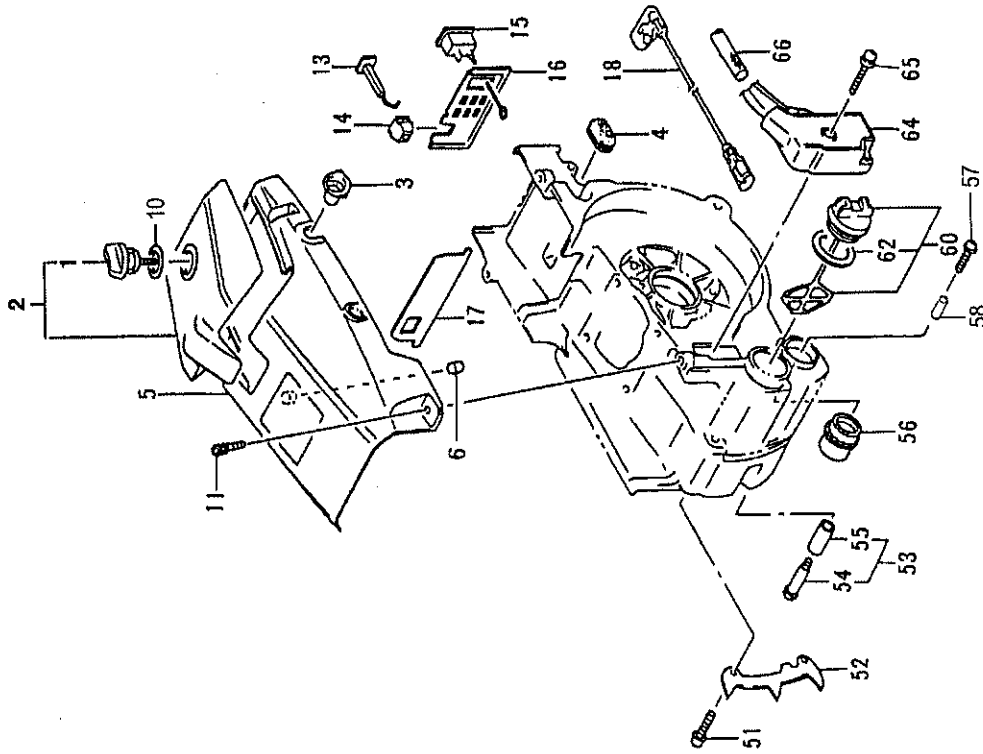
C06-05 CS38EK RECOIL STARTER



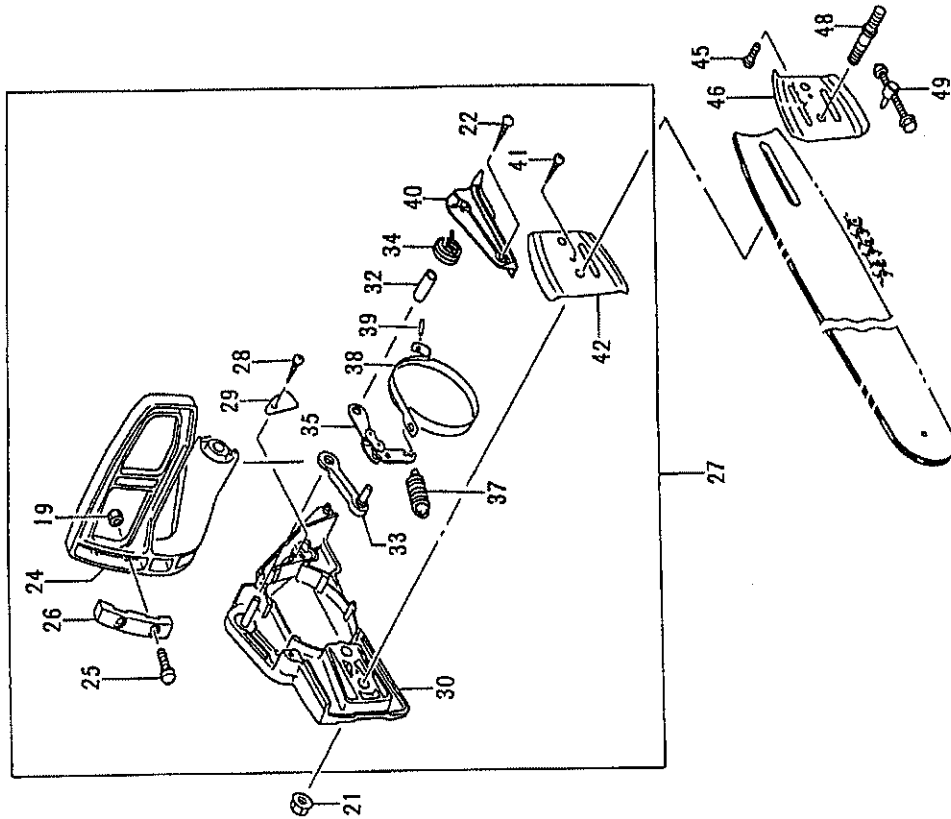
REF. NUMBER	PARTS NUMBER	DESCRIPTION	QTY	SERIAL NUMBER
000	669-2916	RECOIL STARTER ASSY	1	
001	669-3633	SET SCREW	1	
002	669-3059	STARTER ROPE REEL	1	
003	669-3096	RECOIL SPRING CASE	1	
004	668-6963	FAN CASE COMP.	1	
005	668-5189	PLATE	1	
006	669-3230	STARTER HANDLE	1	
007	669-3158	STARTER ROPE	1	
012	669-5512	HEX. HOLE BOLT 5X15WS	3	



REF. NUMBER	PARTS NUMBER	DESCRIPTION	Q'TY	SERIAL NUMBER
000	669-0606	CARBURETOR ASS'Y WT-497A	1	
002	668-4700	INLET SCREEN	1	
003	669-1416	PUMP BODY	1	
004	668-5210	SCREW	1	
005	668-5212	PUMP GASKET	1	
006	668-5213	PUMP DIAPHRAGM	1	
007	668-5215	NEEDLE VALVE	1	
008	668-5220	DIAPHRAGM PACKING	1	
009	669-0827	METERING DIAPHRAGM COMP.	1	
010	668-5222	DIAPHRAGM COVER	1	
011	669-0872	VALVE SPRING	1	
012	668-5218	HINGE PIN SET SCREW	1	
013	668-5219	HINGE PIN	1	
014	668-5217	CONTROL LEVER	1	
026	668-5223	SET SCREW	4	

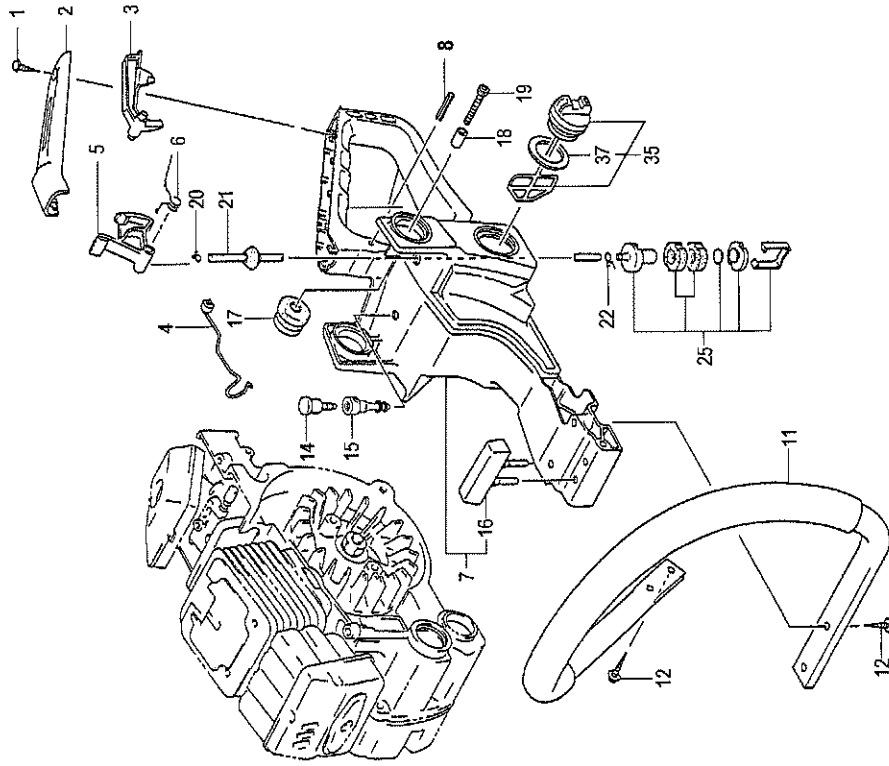


REF. NUMBER	PARTS NUMBER	DESCRIPTION	Q'TY	SERIAL NUMBER
001	668-7793	AIRCLENER KNOB COMP.	1	
002	669-0404	CLEANER COVER SET, SPARE	1	
003	668-7974	IDLE GROMMET	1	
004	668-7954	ADJUSTER CAP	1	
005	668-5681	CYLINDER COVER	1	
006	669-1825	CYLINDR SUPPORT RUBBER	1	
010	669-0056	CLEANER PACKING	1	
011	669-5512	HEX. HOLE BOLT 5X15WS	3	
013	669-2507	CHOKE BUTTON COMP.	1	
014	669-2587	CHOKE ROD HOLDING RUBBER	1	
015	668-7506	STOP SWITCH COMP.	1	
016	669-1192	CONTROL PLATE	1	
017	668-7952	SHUTTER PLATE	1	
018	668-7929	STOP CORD, B225M	1	
051	668-4667	HEX.HOLE BOLT M5X12/S	2	
052	669-0705	BUMPER SPIKE	1	
053	668-7163	CHAIN CATCHER	1	
054	668-9734	SPECIAL BOLT	1	
055	668-5154	FUEL PIPE	1	
056	668-8113	DAMPER COMP.	2	
057	669-5107	TAPPING SCREW 5X35	2	
058	669-2248	COLLAR 15	2	
060	668-5178	OIL TANK CAP ASSY	1	
062	668-5177	OIL TANK CAP PACKING	1	
064	668-7695	IGNITION COIL COMP.	1	
065	668-4599	HEX.HOLE BOLT M4X18/WS	2	
066	668-8315	INSULATOR TUBE, 85L	1	



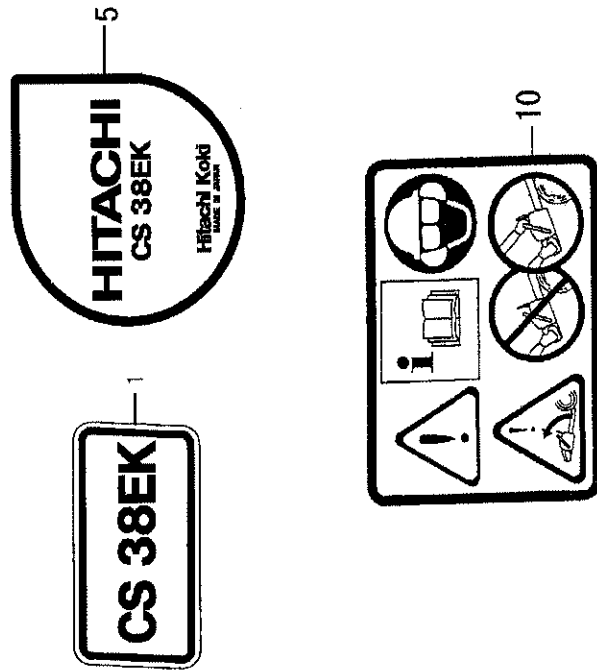
REF. NUMBER	PARTS NUMBER	DESCRIPTION	Q'TY	SERIAL NUMBER
019	668-506	NUT M4	2	
021	668-710	CHAIN BAR CLAMP NUT	2	
022	669-528	TAP SCREW 4X14 P	3	
024	669-345	FRONT HAND GUARD	1	
025	668-506	MACHINE SCREW (W/SP. WASHER) M4X12	2	
026	669-348	HAND GUARD WEIGHT	1	
027	668-609	SIDE CASE ASSY	1	
028	668-516	TAPPING SCREW D4X10	1	
029	668-971	BRAKE BAND HOLDER	1	
030	668-604	SIDE COVER COMP.	1	
032	669-080	CLEANER FIXING COLLAR	1	
033	668-977	BRAKE SUPPORT FITTING COMP.	1	
034	668-978	BRAKE LEVER SPRING	1	
035	668-512	BRAKE LINK COMP.	1	
037	668-970	BRAKE SPRING	1	
038	668-972	BRAKE BAND	1	
039	668-514	NEEDLE ROLLER 3X9.8	1	
040	668-970	BRAKE LINK COVER	1	
041	668-516	TAPPING SCREW D4X10	1	
042	669-075	GUIDE PLATE B	1	
045	669-486	SCREW 4X8	1	
046	669-072	GUIDE PLATE A	1	
048	668-680	CHAIN BAR STUD BOLT	2	
049	668-706	CHAIN TENSION BOLT ASSY	1	

C06-09 CS38EK HANDLE



REF. NUMBER	PARTS NUMBER	DESCRIPTION	Q'TY	SERIAL NUMBER
001	669-5106	TAPPING SCREW 5X18	1	
002	668-8212	REAR HANDLE GRIP	1	
003	668-8352	THROTTLE TRIGGER LOCK	1	
004	669-0967	THROTTLE ROD COMP.	1	
005	668-6381	THROTTLE LEVER	1	
006	668-6412	THROTTLE LEVER SPRING	1	
007	668-5663	REAR HANDLE ASSY	1	
008	668-5282	SPRING PIN 5X25	1	
011	668-8079	FRONT HANDLE COMP.	1	
012	669-5106	TAPPING SCREW 5X18	4	
014	669-2172	AIR VENT VALVE ASSY	1	
015	669-1391	AIRVENT PIPE	1	
016	668-8241	FRONT DAMPER	1	
017	668-8261	DAMPER COMP.	2	
018	668-8478	DAMPING COLLAR	2	
019	669-5039	HEX. HOLE BOLT 4X20	2	
020	669-2311	CLIP 5.2	1	
021	668-8173	FUEL PIPE ASSY L=195	1	
022	668-4619	CLIP,6.3 DIA.	1	
025	669-2285	PUMP FILTER BODY ASSY	1	
035	669-2111	TANKCAP ASSY	1	
037	668-5179	TANK CAP PACKING	1	

C06-10	CS38EK COVER/CHAIN/CHAIN BAR/TOOLS	REF. NUMBER	PARTS NUMBER	DESCRIPTION	Q'TY	SERIAL NUMBER
	<p>CS38EK</p>	001	668-733	CHAIN BAR 15	1	
		010	668-733	CHAIN 15	1	
		021	669-481	CHAIN COVER 16	1	
		050	669-380	COMBI. BOX SPANNER 13X19 MINU	1	
		051	668-663	4X50 MINUS DRIVER	1	

C06-11**CS38EK LABELS**

REF. NUMBER	PARTS NUMBER	DESCRIPTION	Q'TY	SERIAL NUMBER
001	669-4399	NAME PLATE CS38EK	1	
005	669-4502	STARTER MARK CS38EK	1	
010	669-4445	CAUTION MARK A	1	