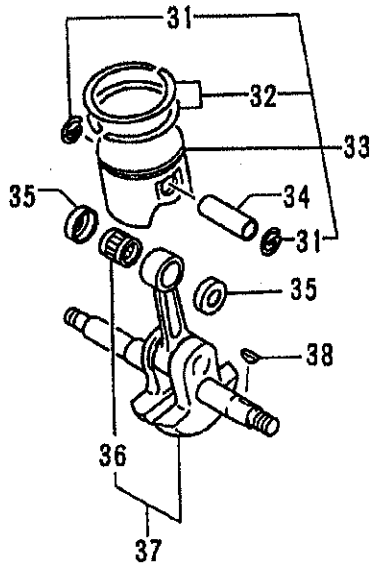
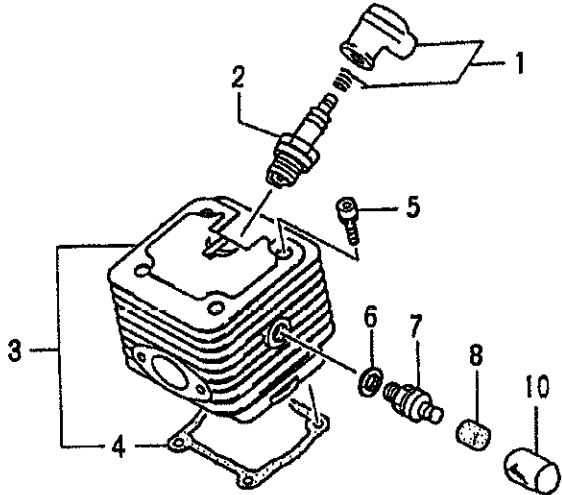


C07-01 CS33EL/38EL/40EK/45EK CYLINDER/PISTON/CRANK SHAFT

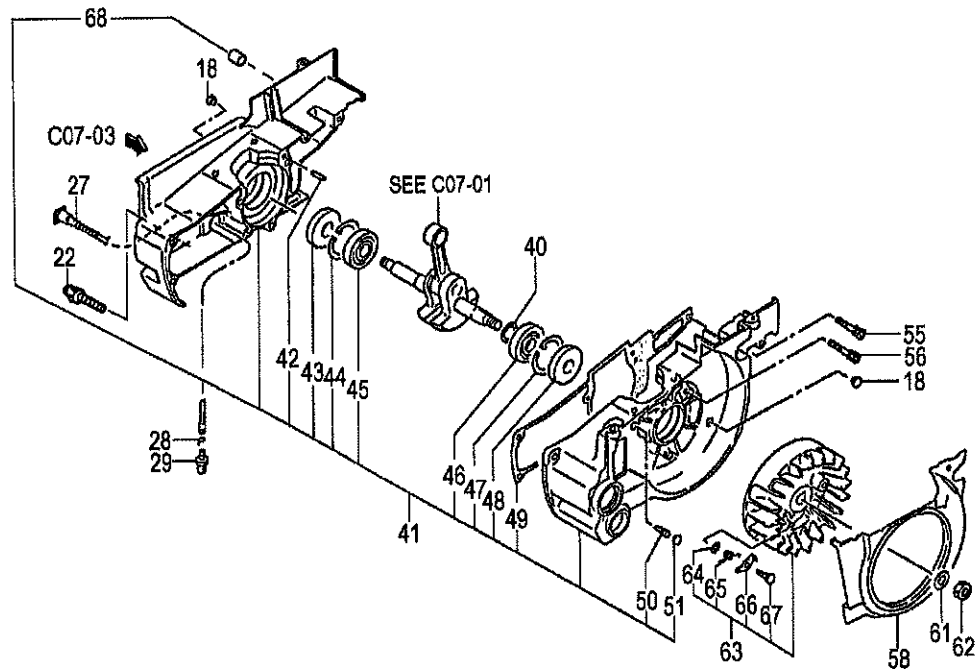
REF. NUMBER	PARTS NUMBER	DESCRIPTION	Q'TY	SERIAL NUMBER
001	157-01570-90	SPARK PLUG CAP ASS'Y	1	
002	018-12710-20	SPARK PLUG BPMR7A	1	
003	001-04066-90	CYLINDER SET	1	
004	017-04066-20	CYLINDER PACKING	1	
005	994-61050-205	HEX. HOLE BOLT 5X20S	4	
006	028-04063-21	DECOMP. VALVE GASKET	1	
007	004-04063-80	DECOMPRESSION COMP.	1	
008	020-04063-20	DECOMP. COVER	1	
010	470-3252K-20	DUST COVER	1	
031	039-01000-20	PISTON PIN CIRCLIP	2	
032	041-04066-20	PISTON RING PARKER	2	
033	030-04066-90	PISTON SET, SPARE	1	
034	037-01000-20	PISTON PIN 10X30	1	
035	036-04090-20	PISTON PIN COLLAR	2	
036	999-62101-480	NEEDLE BEARING, 2X8.8	1	
037	046-04067-80	CRANK SHAFT COMP.	1	
038	068-10100-20	WOOD-RUFF KEY 3X13X4.	1	



C07-02

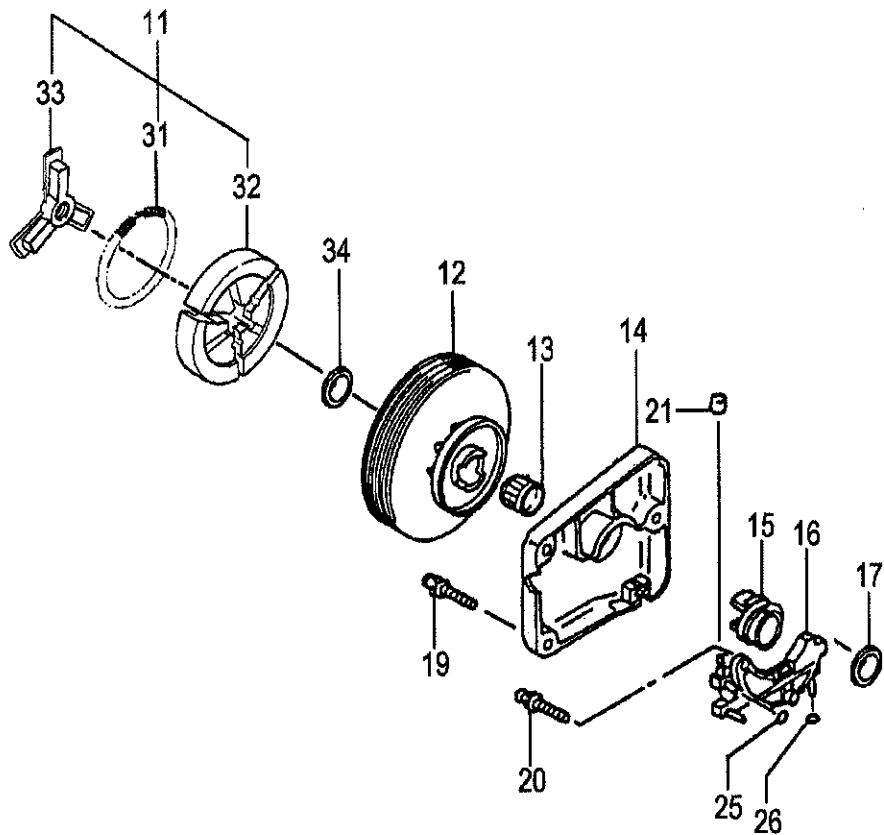
CS33EL/38EL/40EL/45EL CRANK CASE

REF. NUMBER	PARTS NUMBER	DESCRIPTION	Q'TY	SERIAL NUMBER
018	222-3252K-21	SIDE DUMPER	2	
022	990-53050-353	HEX HOLE SCREW 5X35	1	
027	515-3252K-20	OIL PIPE A	1	
028	680-04019-21	CLIP 7	1	
029	486-32530-80	OIL FILTER BODY COMP.	1	
040	071-04063-21	SHIM 0.1	V	
040	071-04063-23	SHIM 0.2	V	
040	071-04063-24	SHIM 0.3	V	
040	071-04063-25	SHIM 0.4	V	
041	072-0406F-90	CRANK CASE ASS'Y	1	
042	999-05041-201	KNOCK PIN 4X12	2	
043	999-66123-219	OIL SEAL ISMX12325.5	1	
044	993-51032-002	STOP RING C-32, INNER	1	
045	999-61620-106	BALL BEARING 6201 A2C3	1	
046	999-61620-106	BALL BEARING 6201 A2C3	1	
047	993-51032-002	STOP RING C-32, INNER	1	
048	999-66123-219	OIL SEAL ISMX12325.5	1	
049	090-04063-22	CRANKCASE GASKET	1	
050	562-04060-20	AIR VENT VALVE B	1	
051	566-04063-20	AIR VENT COVER	1	
055	994-61050-184	HEX. HOLE BOLT 5X18/S	3	
056	994-61050-304	HEX. HOLE BOLT 5X30S	3	
058	132-04063-20	AIR DEFLECTOR	1	
061	992-01080-011	WASHER 8	1	
062	991-01080-011	HEX. NUT 8	1	
063	155-21541-90	MAGNETO ROTOR ASS'Y	1	
064	182-01700-20	SPECIAL WASHER	2	
065	790-04063-20	PAWL SPRING	2	
066	788-01700-20	STARTER PAWL	2	
067	793-10200-20	STEP BOLT	2	
068	217-3252K-20	HANDLE DAMPER	1	



C07-03

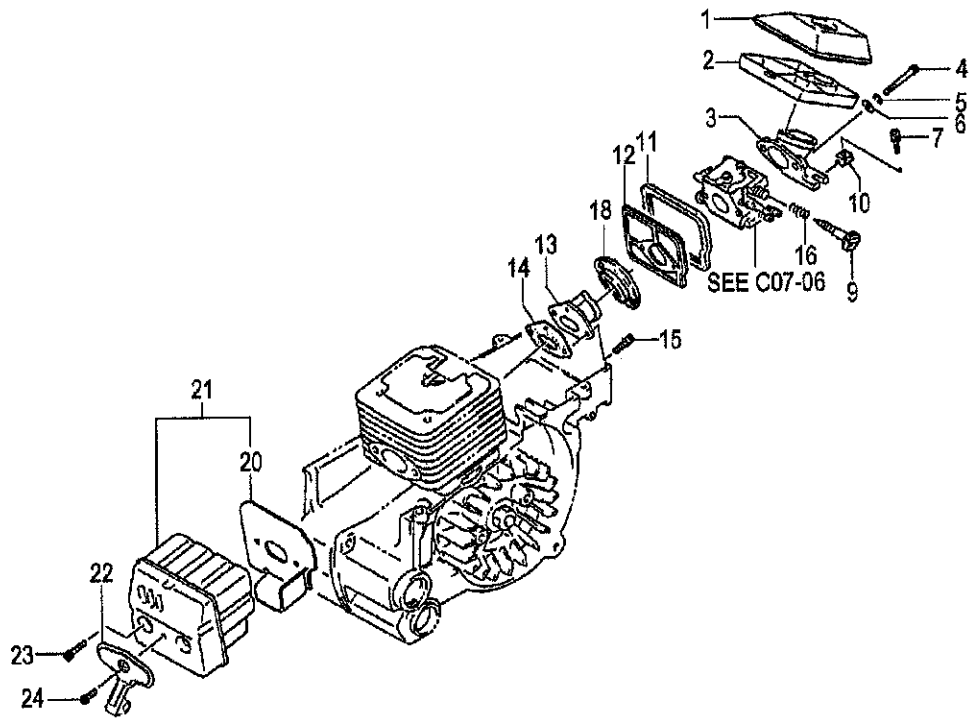
CS33EL/38EK/40EK/45EK CLUTCH/OIL PUMP



REF. NUMBER	PARTS NUMBER	DESCRIPTION	Q'TY	SERIAL NUMBER
011	277-04063-90	CLUTCH ASS'Y, M9	1	
012	310-3252L-82	CLUTCH HOUSING COMP.	1	
013	999-62111-430	NEEDLE BEARING KT1114	1	
014	097-3252K-20	OIL PUMP COVER	1	
015	084-3252K-80	SCREW GEAR COMP.	1	
016	145-3252K-81	OIL PUMP COMP.	1	
017	067-35600-20	PINION WASHER 1T	1	
019	994-16040-126	SMALL SCREW 4X12WS	3	
020	994-16040-186	HIGH TENSION SCREW 4X	2	
021	086-3252K-20	RELEASE VALVE	1	
025	999-67003-012	O-RING S-3	1	
026	999-67005-000	O-RING P-5	1	
031	342-04063-21	CLUTCH SPRING	1	
032	345-04063-21	CLUTCH SHOE	3	
033	346-04063-20	CLUTCH BOSS	1	
034	359-04063-20	CLUTCH WASHER B	1	

C07-04

CS33EL/38EK/40ES/45EK AIR CLEANER/MUFFLER

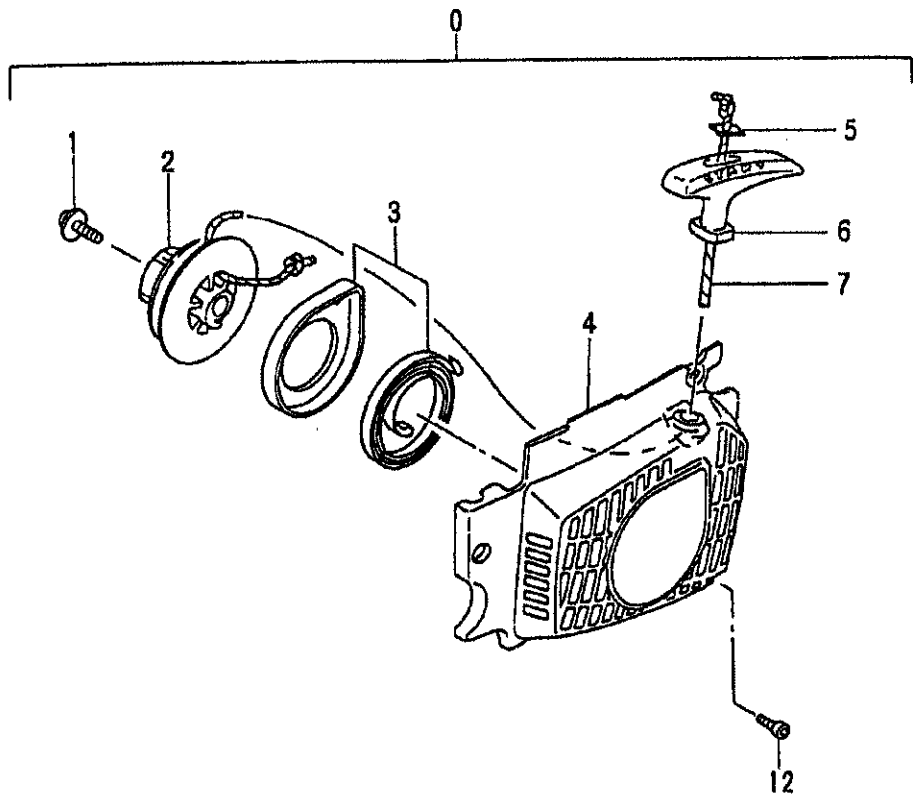


REF. NUMBER	PARTS NUMBER	DESCRIPTION	Q'TY	SERIAL NUMBER
001	445-04063-80	AIRCLEANER ELEMENT B	1	
002	444-04063-80	AIRCLEANER ELEMENT A	1	
003	436-04063-80	AIRCLEANER BASE COMP	1	
004	990-51050-453	HEX. HOLE BOLT 5X45	2	
005	992-10050-012	S.WASHER 5	2	
006	992-00050-011	SMALL WASHER 5	2	
007	994-64050-154	HEX. HOLE BOLT 5X15WS	1	
009	197-3252K-80	IDLE ADJUSTMENT SCREW	1	
010	182-04063-20	SPECIAL WASHER	1	
011	409-04063-20	CARB. INSULATOR, RUBBER	1	
012	404-04063-81	INSULATOR COMP.	1	
013	391-04063-80	INLET MANIFOLD COMP.	1	
014	403-04063-20	INLET MANIFOLD GASKET	1	
015	994-61040-124	HEX. HOLE BOLT 4X12S	2	
016	463-25012-20	IDLE ADJUST SPRING	1	
018	400-32970-20	INLET MANIFOLD SPACER	1	
020	737-04063-20	MUFFLER GASKET	1	
021	704-04063-90	MUFFLER SET	1	
022	760-04065-21	MUFFLER STAY	1	
023	994-61050-164	HEX. HOLE BOLT 5X16S	2	
024	990-51040-106	HEX. HOLE BOLT 4X10	1	

C07-05

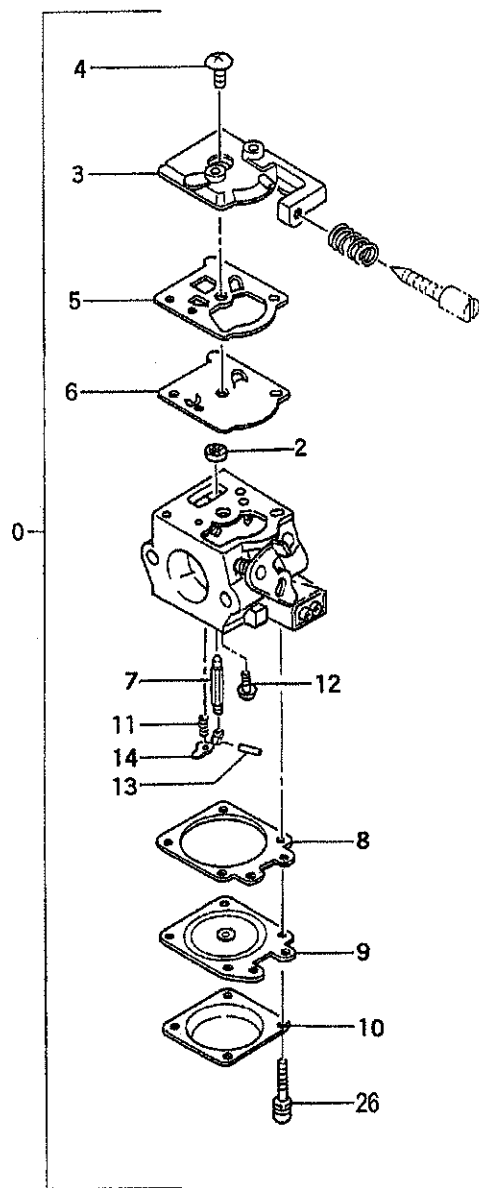
CS33EL/38EL/40EL/45EL RECOIL STARTER

REF. NUMBER	PARTS NUMBER	DESCRIPTION	Q'TY	SERIAL NUMBER
000	756-04065-90	RECOIL STARTER ASS'Y, C	1	
001	839-02010-20	SET SCREW	1	
002	774-01700-20	STARTER ROPE REEL	1	
003	778-04063-90	RECOIL SPRING CASE	1	
004	112-04065-80	FAN CASE COMP.	1	
005	795-04063-20	ROPE STOPPER	1	
006	785-04063-20	STARTER HANDLE	1	
007	783-01700-20	STARTER ROPE	1	
012	994-64050-154	HEX. HOLE BOLT 5X15WS	3	



C07-06

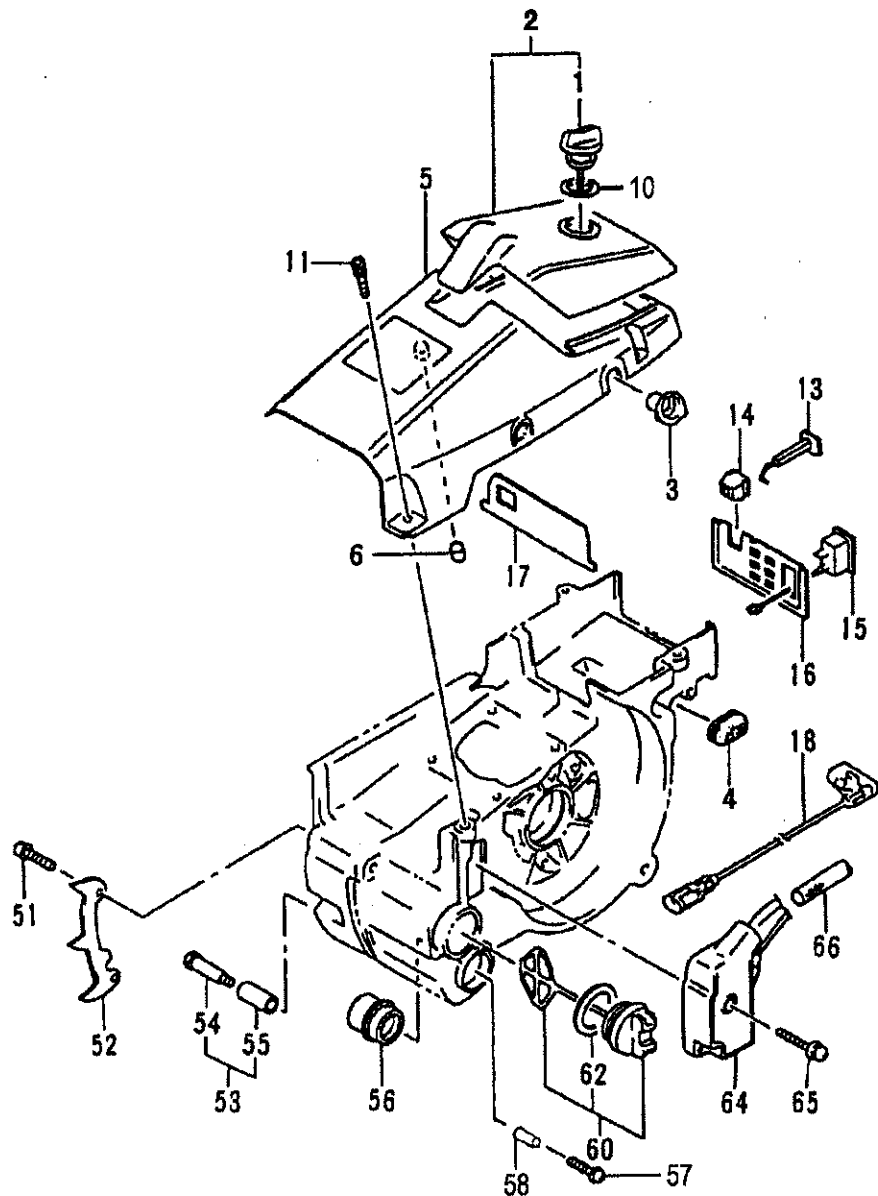
CS33EL/38EL/40EL/45EL CARBURETOR



REF. NUMBER	PARTS NUMBER	DESCRIPTION	Q'TY	SERIAL NUMBER
000	455-25095-90	CARBURETOR ASS'Y WT-4	1	
002	578-25007-20	INLET SCREEN	1	
003	575-25006-20	PUMP BODY	1	
004	514-25001-20	SET SCREW	1	
005	577-25007-20	PUMP GASKET	1	
006	576-25006-20	PUMP DIAPHRAGM	1	
007	603-25012-20	NEEDLE VALVE	1	
008	475-25038-20	DIAPHRAGM GASKET	1	
009	474-25001-80	METERING DIAPHRAGM C	1	
010	476-25004-20	DIAPHRAGM COVER	1	
011	477-25080-20	VALVE SPRING	1	
012	546-25001-20	HINGE PIN SET SCREW	1	
013	605-25001-20	HINGE PIN	1	
014	473-25001-20	VALVE HINGE	1	
026	548-25012-20	SET SCREW	4	

C07-07

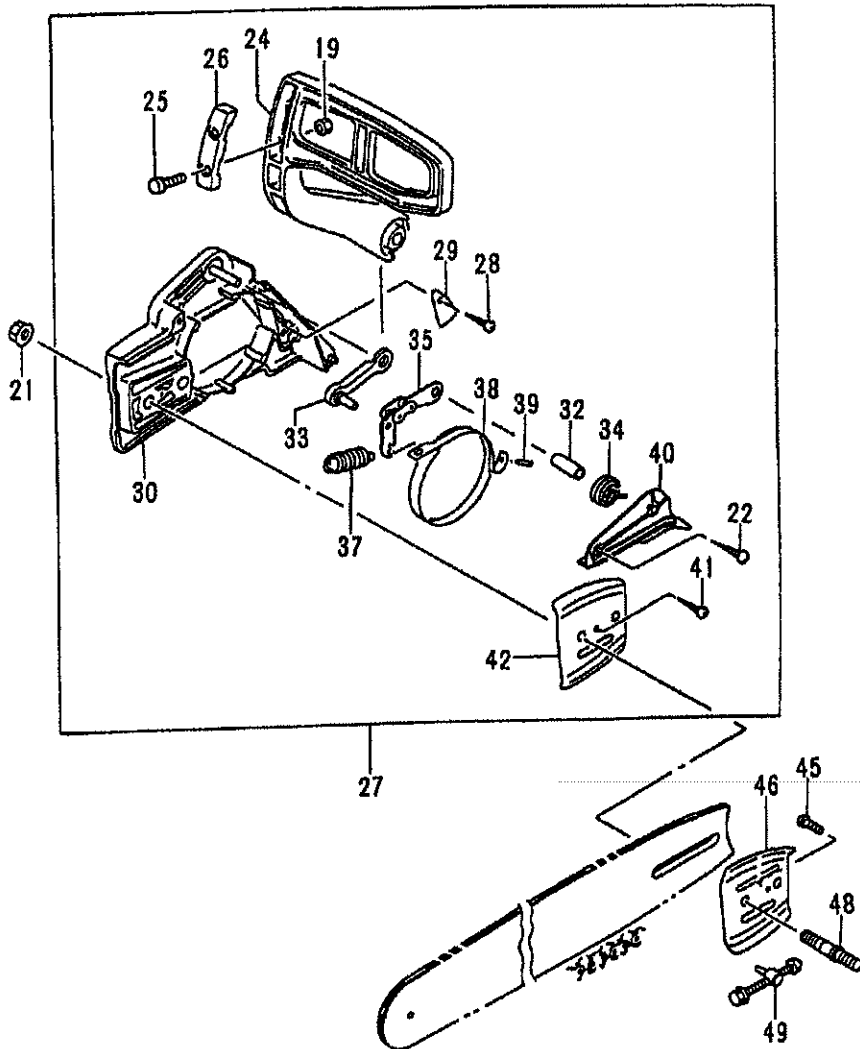
CS33EL/38EL/40EL/45EL IGNITION COIL/COVER



REF. NUMBER	PARTS NUMBER	DESCRIPTION	Q'TY	SERIAL NUMBER
001	175-3252K-80	AIRCLEANER KNOB COMP	1	
002	452-04065-90	CLEANER COVER SET, SP	1	
003	191-3252K-20	IDLE GROMMET	1	
004	190-3252K-20	ADJUSTER CAP	1	
005	016-04065-20	CYLINDER COVER	1	
006	599-04063-20	CYLINDR SUPPORT RUBB	1	
010	418-04063-20	CLEANER PACKING	1	
011	994-64050-154	HEX. HOLE BOLT 5X15WS	3	
013	704-3252K-80	CHOKE BUTTON COMP.	1	
014	707-32550-20	CHOKE ROD HOLDING RU	1	
015	162-04063-81	STOP SWITCH COMP.	1	
016	511-04063-20	CONTROL PLATE	1	
017	188-3252K-20	SHUTTER PLATE	1	
018	179-04063-81	STOP CORD, B225M	1	
051	994-61050-124	HEX. HOLE BOLT 5X12S	2	
052	460-3252K-20	BUMPER SPIKE	1	
053	125-3252K-90	CHAIN CATCHER	1	
054	380-04063-20	SPECIAL BOLT	1	
055	700-07105-02	VINYL PIPE 7X10.5X20	1	
056	219-32600-82	DAMPER COMP.	2	
057	990-73050-354	TAPPING SCREW 5X35	2	
058	659-37922-20	COLLAR 15	2	
060	642-3252K-90	OIL TANK CAP ASS'Y	1	
062	523-3252K-20	OIL TANK CAP GASKET	1	
064	167-21527-81	IGNITION COIL COMP.	1	
065	994-64040-184	HEX. HOLE BOLT 4X18WS	2	
066	250-0075G-20	INSULATOR TUBE, 85L	1	

C07-08

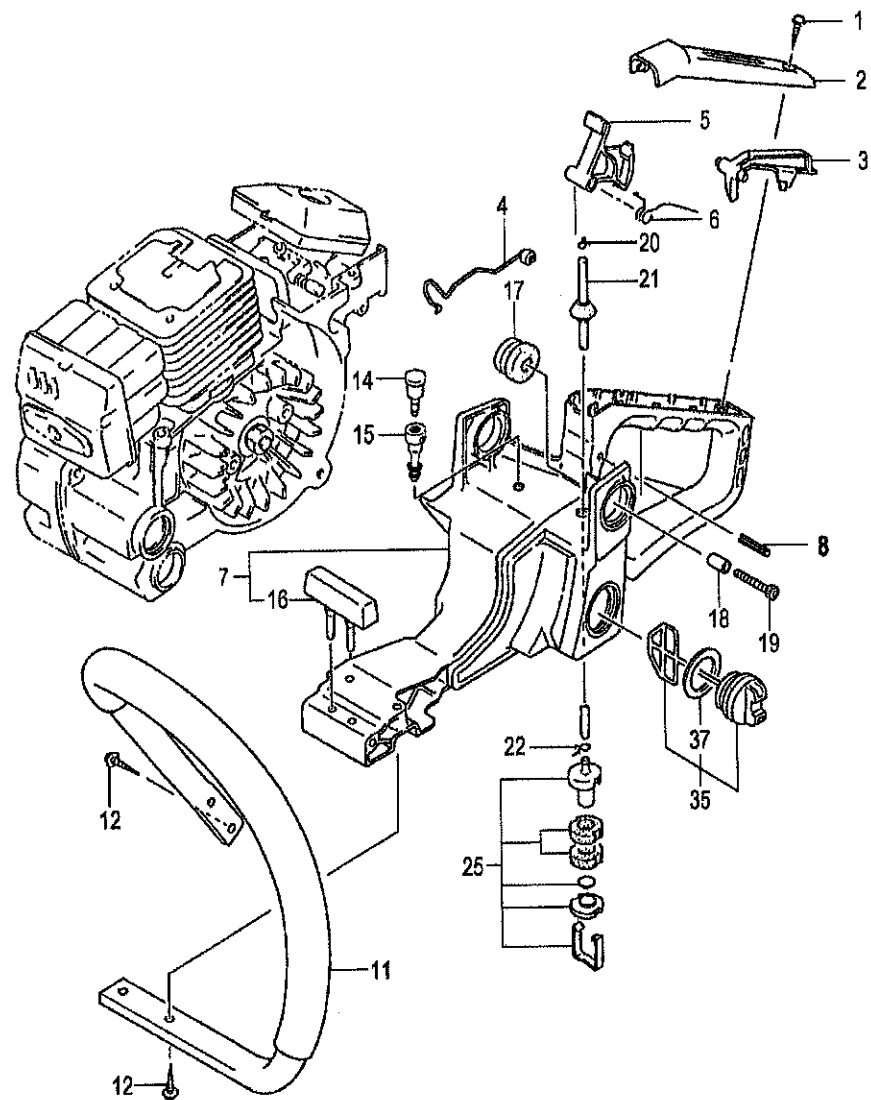
CS33EL/38EL/40EL/45EL SIDE CASE/CHAIN BRAKE



REF. NUMBER	PARTS NUMBER	DESCRIPTION	Q'TY	SERIAL NUMBER
019	991-01040-011	HEX. NUT 4	2	
021	121-32600-20	CHAIN BAR CLAMP NUT	2	
022	990-75040-154	TAPPING SCREW 4X15	3	
024	805-3252K-20	FRONT HAND GUARD, BLA	1	
025	994-14040-121	SCREW 4X12/S	2	
026	808-3252K-20	HAND GUARD WEIGHT	1	
027	040-3285B-91	SIDE CASE ASS'Y CB	1	
028	993-41040-101	SCREW 4X10	1	
029	376-3252P-21	BRAKE BAND HOLDER	1	
030	039-3285B-81	SIDE COVER COMP.	1	
032	470-10246-20	CLEANER FIXING COLLAR	1	
033	386-3252K-80	BRAKE SUPPORT FITTING	1	
034	388-3252K-21	BRAKE LEVER SPRING	1	
035	379-32901-80	BRAKE LINK COMP.	1	
037	374-3252K-21	BRAKE SPRING	1	
038	378-3252K-21	BRAKE BAND	1	
039	999-05300-980	NEEDLE ROLLER 3X9.8	1	
040	375-3252Y-21	BRAKE LINK COVER	1	
041	993-41040-101	SCREW 4X10	1	
042	462-3252K-20	GUIDE PLATE B	1	
045	990-11040-081	SCREW 4X8	1	
046	461-3252K-20	GUIDE PLATE A	1	
048	101-32530-20	CHAIN BAR STUD BOLT	2	
049	116-3283K-90	CHAIN TENSION BOLT ASS	1	

C07-09

CS33EL/38EL/40EL/45EL HANDLE

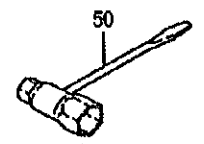
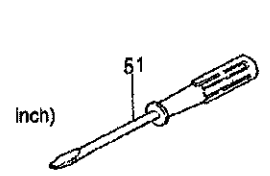
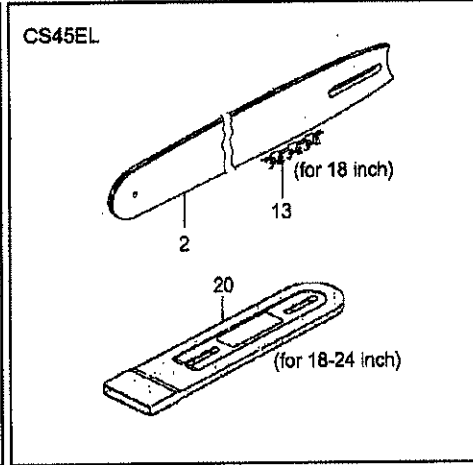
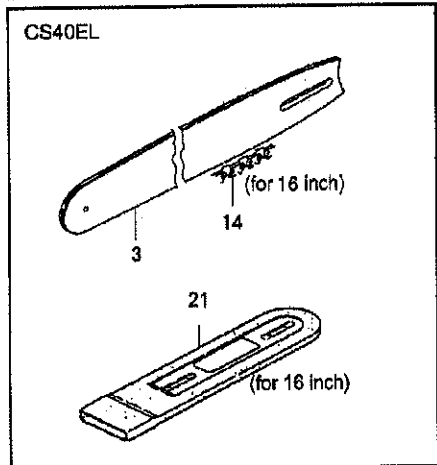
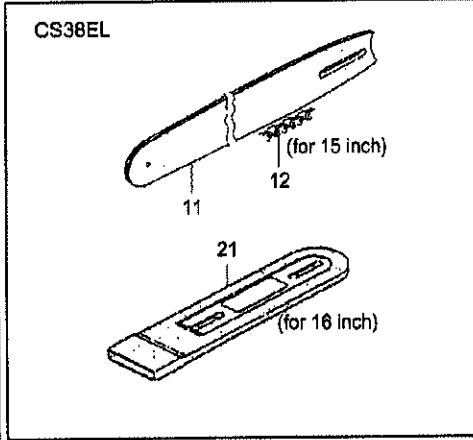
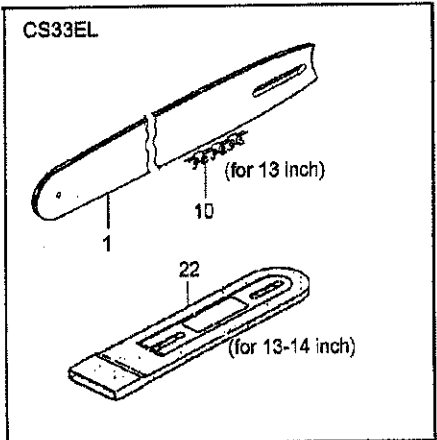


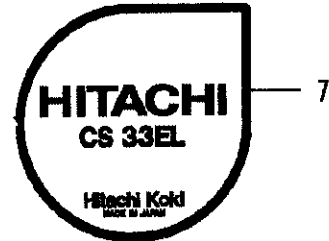
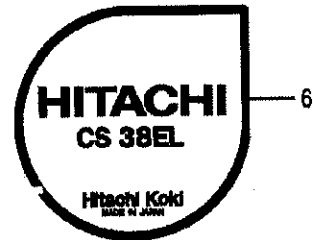
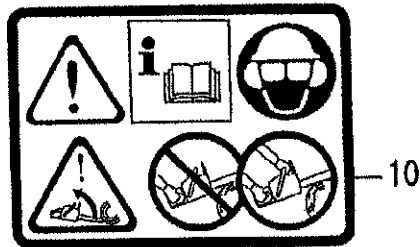
REF. NUMBER	PARTS NUMBER	DESCRIPTION	Q'TY	SERIAL NUMBER
001	990-73050-184	TAPPING SCREW 5X18	1	
002	227-3252K-22	REAR HANDLE GRIP	1	
003	257-3252K-20	THROTTLE TRIGGER LOCK	1	
004	490-3252K-81	THROTTLE ROD COMP.	1	
005	060-3252K-20	THROTTLE LEVER	1	
006	061-3252K-20	THROTTLE LEVER SPRING	1	
007	012-3285B-91	REAR HANDLE ASS'Y	1	
008	993-26005-254	SPRING PIN 5X25	1	
011	209-3285A-80	FRONT HANDLE COMP.	1	
012	990-73050-184	TAPPING SCREW 5X18	4	
014	646-3252L-90	AIR VENT VALVE ASS'Y	1	
015	565-04063-20	AIRVENT PIPE	1	
016	232-3252K-20	FRONT DAMPER	1	
017	244-3252K-80	DAMPER COMP.	2	
018	275-3252K-20	DAMPNER COLLAR	2	
019	990-51040-203	HEX. HOLE BOLT 4X20	2	
020	680-04001-20	CLIP 5.2	1	
021	223-0622U-90	FUEL PIPE ASS'Y L=195	1	
022	680-00731-20	CLIP, 6.3 DIA.	1	
025	675-11657-90	PUMP FILTER BODY ASS'Y	1	
035	635-3252K-90	TANKCAP ASS'Y	1	
037	630-3252K-20	TANK CAP GASKET	1	

C07-10

CS33EL/35EL/40EL/45EL COVER/CHAIN/CHAIN BAR/TOOLS

REF. NUMBER	PARTS NUMBER	DESCRIPTION	Q'TY	SERIAL NUMBER
001	111-72822-20	CHAIN BAR 13	1	
002	105-72820-20	CHAIN BAR 18"	1	
003	107-72811-20	CHAIN BAR 16"	1	
010	134-3286F-20	BAR CHAIN 0.325 13	1	
011	147-72810-20	CHAIN BAR 15"	1	
012	149-3285E-20	CHAIN 15	1	
013	136-3285A-20	CHAIN 18	1	
014	138-3285B-20	SAW CHAIN, 16 .325	1	
020	945-3254D-21	CHAIN COVER 20	1	
021	947-3281A-20	CHAIN COVER 16	1	
022	946-32753-20	CHAIN COVER 14	1	
050	883-32600-20	COMBI. BOX SPANNER 13	1	
051	081-29329-7U	4X50 MINUS DRIVER	1	



C07-10**CS33EL/35EL/40EL/45EL LABELS**REF.
NUMBERPARTS
NUMBER

DESCRIPTION

Q'TY

SERIAL
NUMBER

001

906-72822-20

NAME PLATE CS33EL

1

002

906-72821-20

NAME PLATE CS38EL

1

004

906-72820-20

NAME PLATE CS45EL

1

005

915-72820-20

STARTER MARK CS45EL

1

006

915-72821-20

STARTER MARK CS38EL

1

007

915-72822-20

STARTER MARK CS33EL

1

010

909-32901-20

CAUTION MARK A

1