

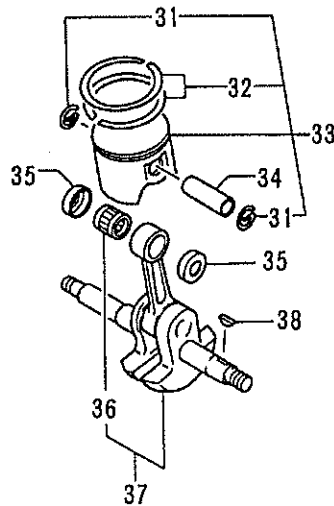
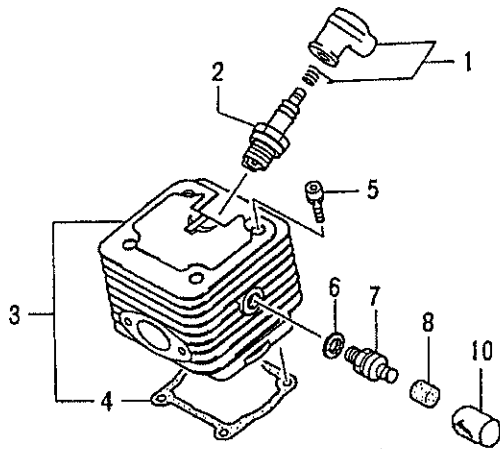
# **C07**

**(For Europe/Australia)**

## **CS45EL**

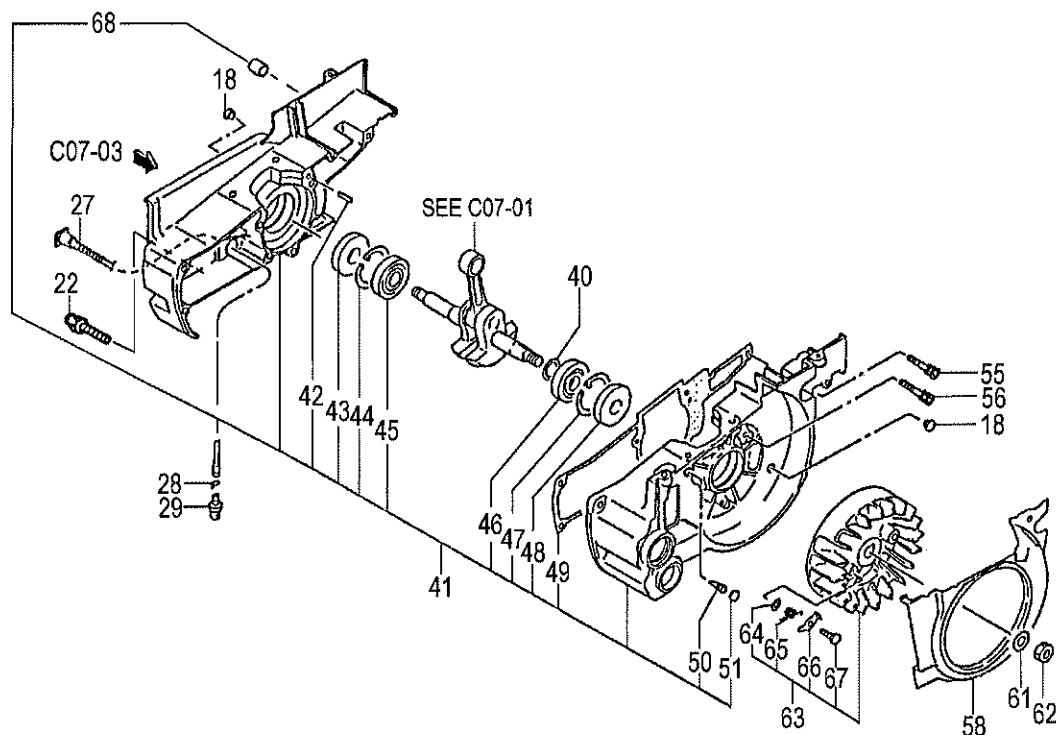
**Serial No.**

# C07-01 CYLINDER/PISTON/CRANK SHAFT



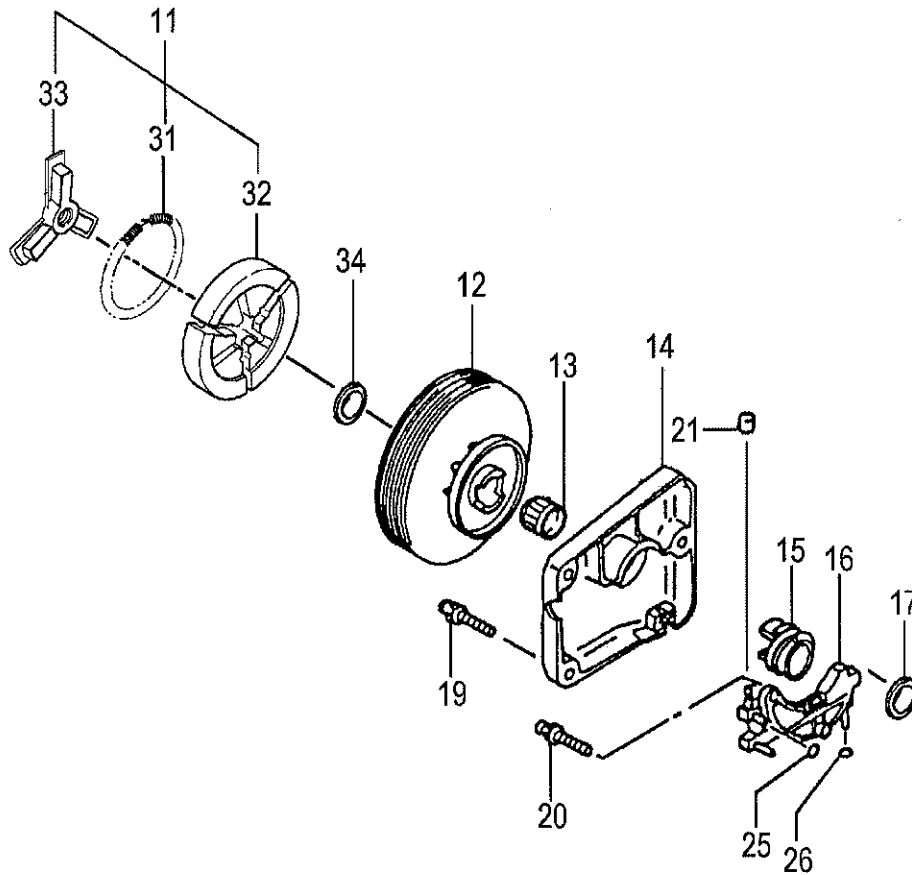
REF. NUMBER	PARTS NUMBER	DESCRIPTION	Q'TY	REMARKS /SERIAL NO.
<b>C07-01 CYLINDER/PISTON/CRANK SHAFT</b>				
001	668-7468	SPARK PLUG CAP ASS'Y	1	
002	668-5782	SPARK PLUG BPMR7A	1	
003	668-5465	CYLINDER SET	1	
004	668-5732	CYLINDER PACKING	1	
005	669-5491	HEX. HOLE BOLT 5X20S	4	
006	668-5860	DECOMP. VALVE GASKET	1	
007	668-5589	DECOMPRESSION COMP.	1	
008	668-5800	DECOMP. COVER	1	
010	669-0808	DUST COVER	1	
031	668-6026	PISTON PIN CIRCLIP	2	
032	668-6125	PISTON RING, 42.7 DIA.	2	
033	668-5884	PISTON SET, SPARE	1	
034	668-6007	PISTON PIN 10X30	1	
035	668-5993	PISTON PIN COLLAR	2	
036	669-5602	NEEDLE BEARING, 2X8.8	1	
037	668-6183	CRANK SHAFT COMP.	1	
038	668-4899	WOODRUFF KEY 3X13X4.5	1	

# C07-02 CRANK CASE



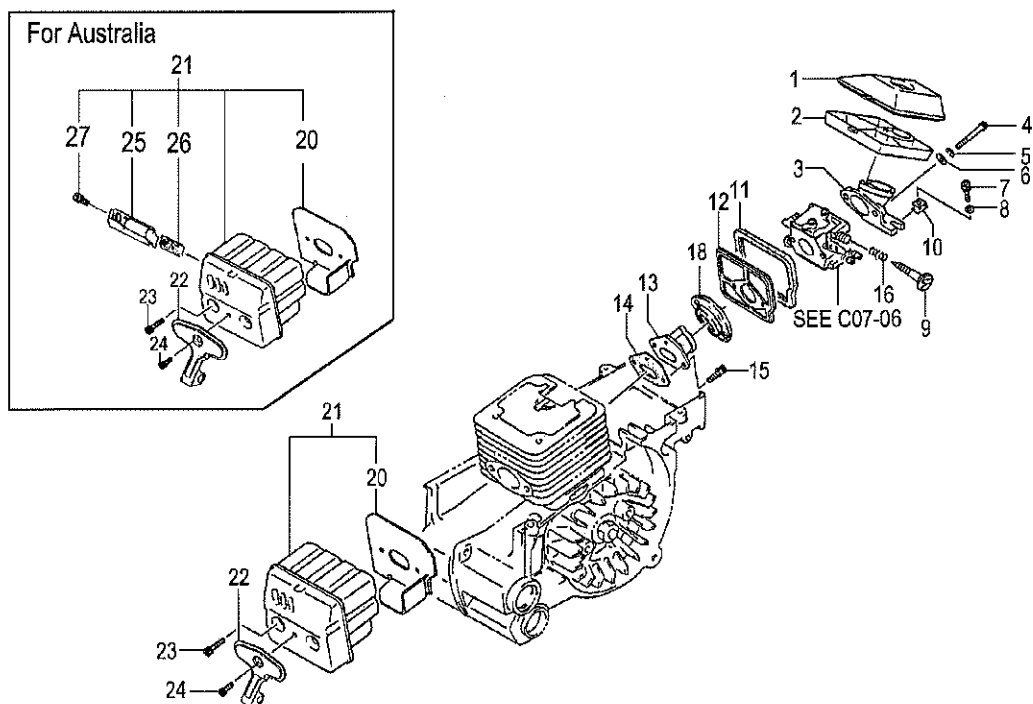
REF. NUMBER	PARTS NUMBER	DESCRIPTION	Q'TY	REMARKS /SERIAL NO.
<b>C07-02 CRANK CASE</b>				
018	668-8164	SIDE DUMPER	2	
022	669-5076	HEX HOLE SCREW 5X35	1	
027	669-1219	OIL PIPE A	1	
028	669-2312	CLIP 7	1	
029	669-0914	OIL FILTER BODY COMP.	1	
040	668-6474	SHIM 0.1	V	
040	668-5098	SHIM S T0.2	V	
040	668-5099	SHIM S T0.3	V	
040	668-6475	SHIM 0.4	V	
041	668-6542	CRANK CASE ASS'Y	1	
042	669-5520	KNOCK PIN 4X12	2	
043	669-5633	OIL SEAL ISMX12325.5	1	
044	669-5295	STOP RING C-32, INNER	1	
045	668-5096	BALL BEARING 6201 A2C3	1	
046	668-5096	BALL BEARING 6201 A2C3	1	
047	669-5295	STOP RING C-32, INNER	1	
048	669-5633	OIL SEAL ISMX12325.5	1	
049	668-6710	CRANKCASE GASKET	1	
050	668-5173	AIR VENT VALVE (B)	1	
051	669-1399	AIR VENT COVER	1	
055	668-4586	HEX.HOLE BOLT M5X18/S	3	
056	668-4786	HEX. SOCKET HD. BOLT M5X30 S	3	
058	668-7207	AIR DEFLECTOR	1	
061	668-4611	WASHER M8	1	
062	668-4612	HEX.NUT M8	1	
063	668-7395	MAGNETO ROTOR ASS'Y	1	
064	668-7942	SPECIAL WASHER	2	
065	669-3348	PAWL SPRING	2	
066	669-3304	STARTER PAWL	2	
067	669-3366	STEP BOLT	2	
068	668-8107	HANDLE DAMPER	1	

# C07-03 CLUTCH/OIL PUMP



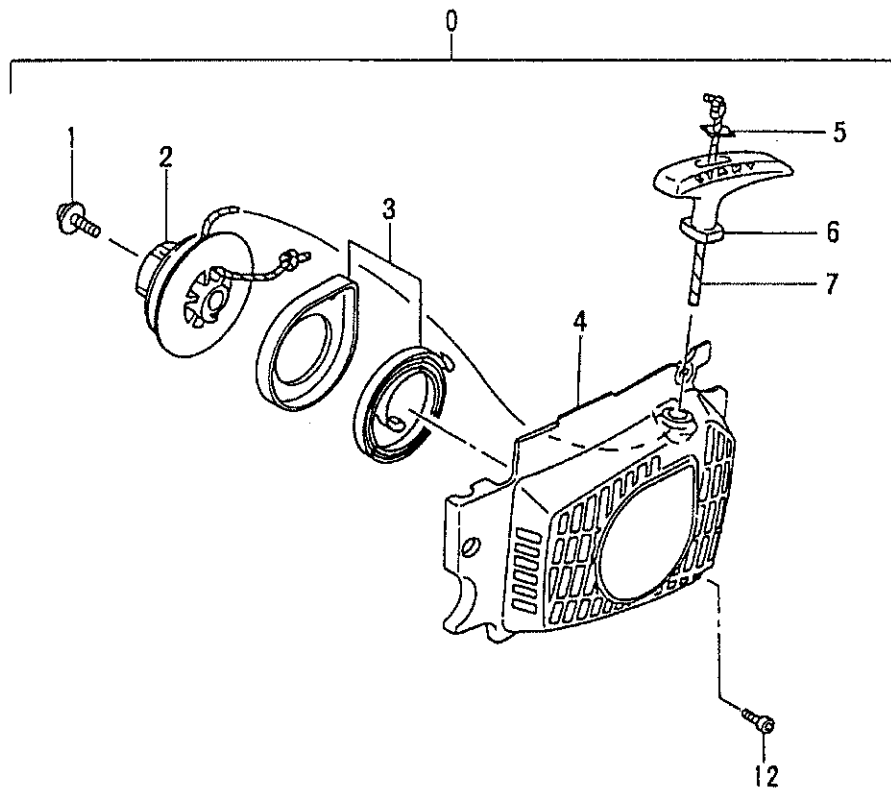
REF. NUMBER	PARTS NUMBER	DESCRIPTION	Q'TY	REMARKS /SERIAL NO.
<b>C07-03 CLUTCH/OIL PUMP</b>				
011	668-8489	CLUTCH ASS'Y, M9	1	
012	668-9009	CLUTCH HOUSING COMP.7T	1	
013	669-5606	NEEDLE BEARING KT111410G	1	
014	668-6755	OIL PUMP COVER	1	
015	668-6640	SCREW GEAR COMP.	1	
016	668-7331	OIL PUMP COMP.	1	
017	668-6452	PINION WASHER 1T	1	
019	669-5403	SMALL SCREW 4X12WS	3	
020	669-5407	HIGH TENSION SCREW 4X18WS	2	
021	668-6661	RELEASE VALVE	1	
025	669-5659	O-RING S-3	1	
026	669-5661	O-RING P-5	1	
031	668-9426	CLUTCH SPRING	1	
032	668-9493	CLUTCH SHOE	3	
033	668-9497	CLUTCH BOSS	1	
034	668-9642	CLUTCH WASHER B	1	

# C07-04 AIR CLEANER/MUFFLER



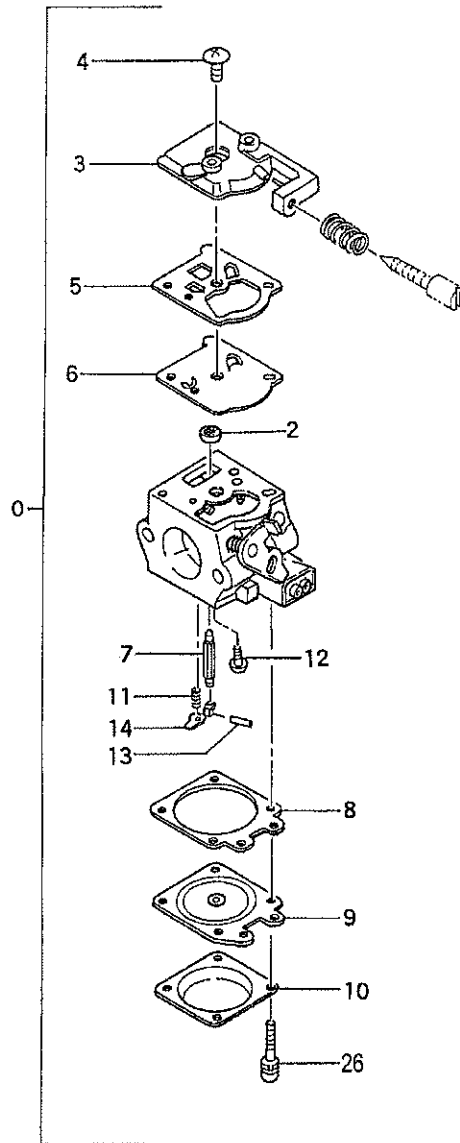
REF. NUMBER	PARTS NUMBER	DESCRIPTION	Q'TY	REMARKS /SERIAL NO.
<b>C07-04 AIR CLEANER/MUFFLER</b>				
001	669-0335	AIRCLEANER ELEMENT B COMP.	1	
002	669-0325	AIRCLEANER ELEMENT A COMP.	1	
003	669-0198	AIRCLEANER BASE COMP.	1	
004	669-5055	HEX. HOLE BOLT 5X45	2	
005	668-4662	S.WASHER 5	2	
006	668-4864	SMALL WASHER 5	2	
007	669-5512	HEX. HOLE BOLT 5X15WS	1	
009	668-7993	IDLE ADJUSTMENT SCREW	1	
010	668-7943	SPECIAL WASHER	1	
011	669-0004	CARB. INSULATOR, RUBBER	1	
012	668-9941	INSULATOR COMP.	1	
013	668-9789	INLET MANIFOLD COMP.	1	
014	668-9876	INLET MANIFOLD GASKET	1	
015	668-4595	HEX.HOLE BOLT M4X12/S	2	
016	669-0766	IDLE ADJUST SPRING	1	
018	668-5202	INLET MANIFOLD SPACER	1	
020	669-2737	MUFFLER GASKET	1	
021	669-2459	MUFFLER SET	1	FOR EUROPE
021	669-2460	MUFFLER SET, SPARE	1	FOR AUS
022	669-2942	MUFFLER STAY	1	
023	668-4903	HEX.HOLE BOLT M5X16/S	2	
024	669-5036	HEX. HOLE BOLT 4X10	1	
025	669-2647	TAIL PIPE	1	FOR AUS
026	669-2694	MUFFLER STEEL NET	1	FOR AUS
027	669-5036	HEX. HOLE BOLT 4X10	1	FOR AUS

# C07-05 RECOIL STARTER



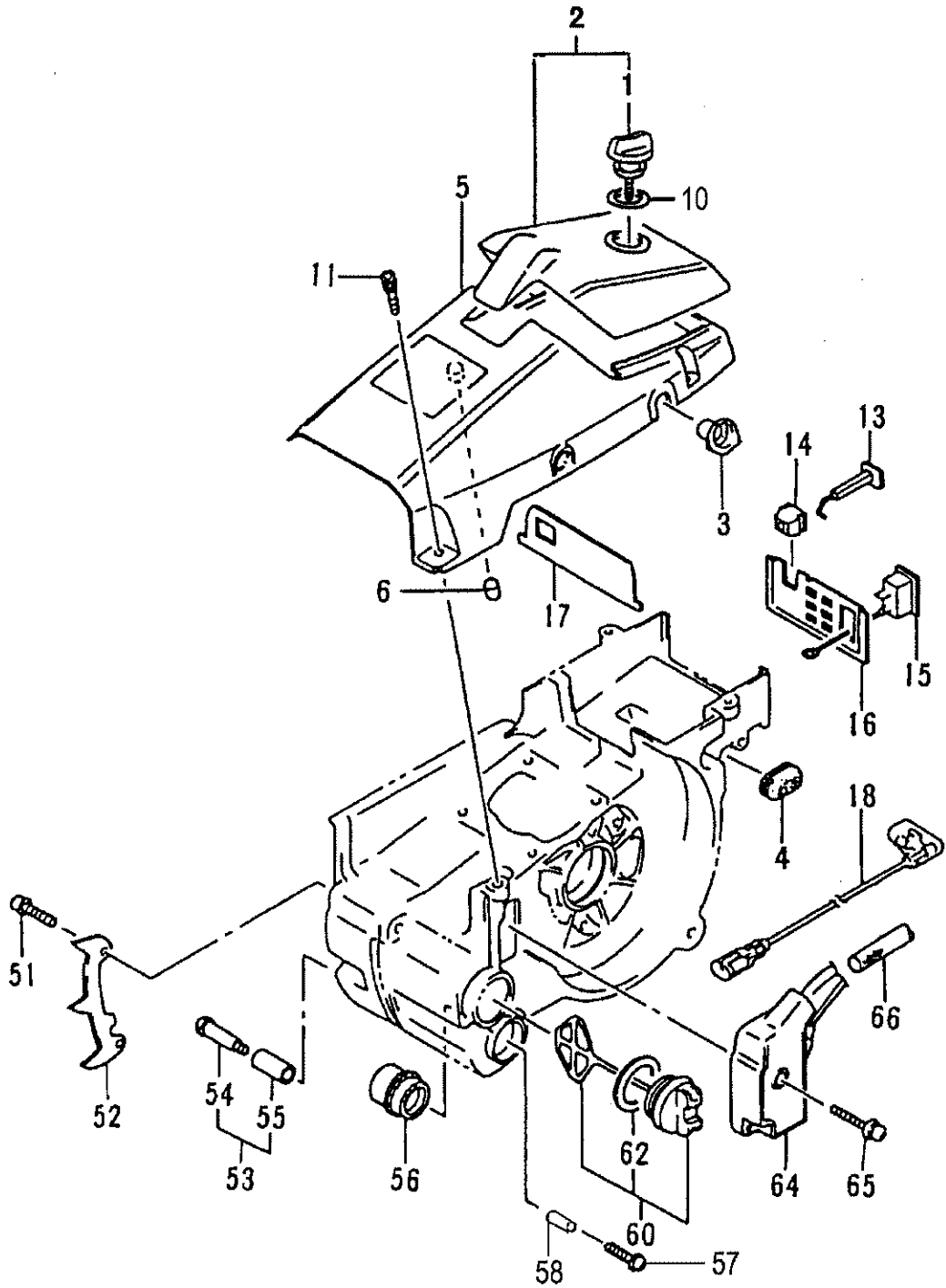
REF. NUMBER	PARTS NUMBER	DESCRIPTION	Q'TY	REMARKS /SERIAL NO.
<b>C07-05 RECOIL STARTER</b>				
000	669-2916	RECOIL STARTER ASS'Y	1	
001	669-3633	SET SCREW	1	
002	669-3059	STARTER ROPE REEL	1	
003	669-3096	RECOIL SPRING CASE	1	
004	668-6963	FAN CASE COMP.	1	
005	668-5189	PLATE	1	
006	669-3230	STARTER HANDLE	1	
007	669-3158	STARTER ROPE	1	
012	669-5512	HEX. HOLE BOLT 5X15WS	3	

# C07-06 CARBURETOR



REF. NUMBER	PARTS NUMBER	DESCRIPTION	Q'TY	REMARKS /SERIAL NO.
<b>C07-06 CARBURETOR</b>				
000	669-0606	CARBURETOR ASS'Y WT-497A	1	
002	668-4700	INLET SCREEN	1	
003	669-1416	PUMP BODY	1	
004	668-5210	SCREW	1	
005	668-5212	PUMP GASKET	1	
006	668-5213	PUMP DIAPHRAGM	1	
007	668-5215	NEEDLE VALVE	1	
008	668-5220	DIAPHRAGM PACKING	1	
009	669-0827	METERING DIAPHRAGM COMP.	1	
010	668-5222	DIAPHRAGM COVER	1	
011	669-0872	VALVE SPRING	1	
012	668-5218	HINGE PIN SET SCREW	1	
013	668-5219	HINGE PIN	1	
014	668-5217	CONTROL LEVER	1	
026	668-5223	SET SCREW	4	

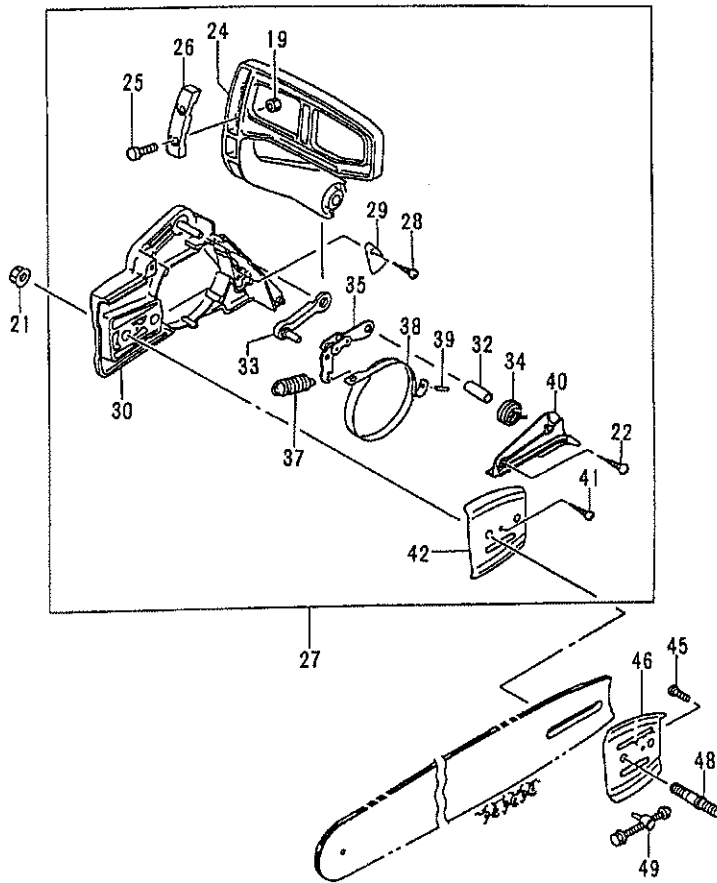
# C07-07 IGNITION COIL/COVER





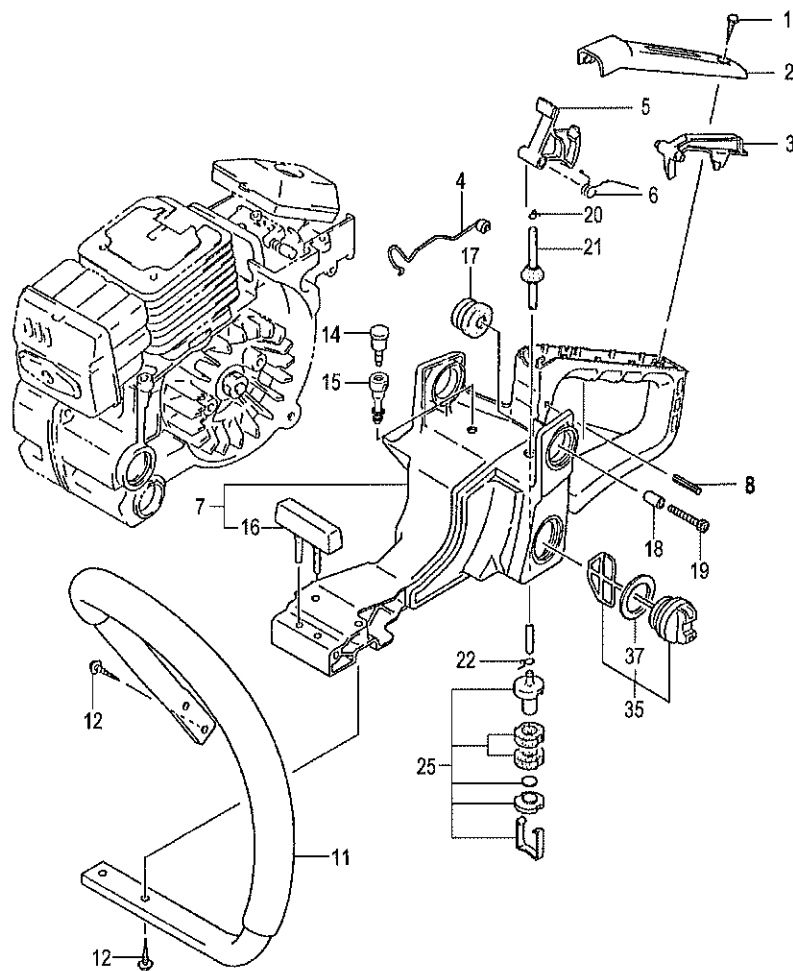
REF. NUMBER	PARTS NUMBER	DESCRIPTION	Q'TY	REMARKS /SERIAL NO.
<b>C07-07 IGNITION COIL/COVER</b>				
001	668-7793	AIRCLEANER KNOB COMP.	1	
002	669-0404	CLEANER COVER SET, SPARE	1	
003	668-7974	IDLE GROMMET	1	
004	668-7954	ADJUSTER CAP	1	
005	668-5681	CYLINDER COVER	1	
006	669-1825	CYLINDR SUPPORT RUBBER	1	
010	669-0056	CLEANER PACKING	1	
011	669-5512	HEX. HOLE BOLT 5X15WS	3	
013	669-2507	CHOKE BUTTON COMP.	1	
014	669-2587	CHOKE ROD HOLDING RUBBER	1	
015	668-7506	STOP SWITCH COMP.	1	
016	669-1192	CONTROL PLATE	1	
017	668-7952	SHUTTER PLATE	1	
018	668-7929	STOP CORD, B225M	1	
051	668-4667	HEX.HOLE BOLT M5X12/S	2	
052	669-0705	BUMPER SPIKE	1	
053	668-7163	CHAIN CATCHER	1	
054	668-9734	SPECIAL BOLT	1	
055	668-5154	FUEL PIPE	1	
056	668-8113	DAMPER COMP.	2	
057	669-5107	TAPPING SCREW 5X35	2	
058	669-2248	COLLAR 15	2	
060	668-5178	OIL TANK CAP ASS'Y	1	
062	668-5177	OIL TANK CAP PACKING	1	
064	668-7695	IGNITION COIL COMP.	1	
065	668-4599	HEX.HOLE BOLT M4X18/WS	2	
066	668-8315	INSULATOR TUBE, 85L	1	

# C07-08 SIDE CASE/CHAIN BRAKE



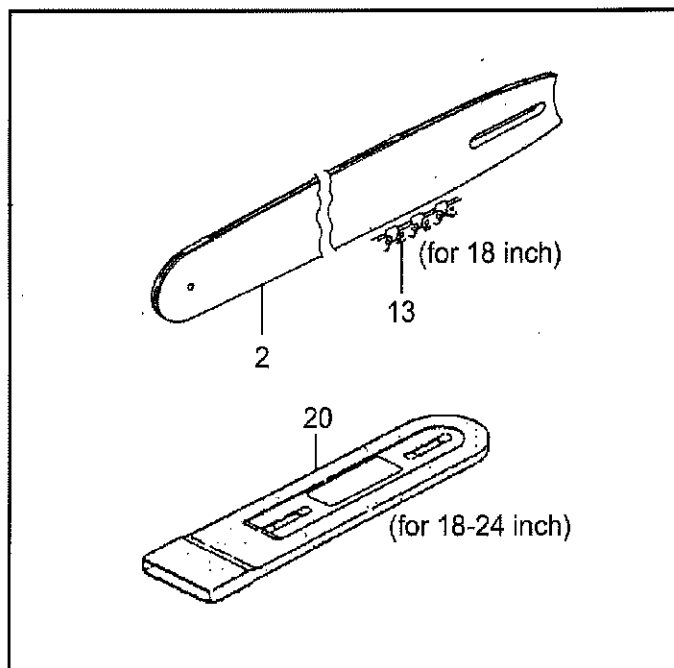
REF. NUMBER	PARTS NUMBER	DESCRIPTION	Q'TY	REMARKS /SERIAL NO.
<b>C07-08 SIDE CASE/CHAIN BRAKE</b>				
019	668-5069	NUT M4	2	
021	668-7105	CHAIN BAR CLAMP NUT	2	
022	669-5280	TAP SCREW 4X14 P	3	
024	669-3454	FRONT HAND GUARD	1	
025	668-5068	MACHINE SCREW (W/SP. WASHER)	2	
026	669-3481	HAND GUARD WEIGHT	1	
027	668-6095	SIDE CASE ASS'Y	1	
028	668-5161	TAPPING SCREW D4X10	1	
029	668-9715	BRAKE BAND HOLDER	1	
030	668-6043	SIDE COVER COMP.	1	
032	669-0805	CLEANER FIXING COLLAR	1	
033	668-9777	BRAKE SUPPORT FITTING COMP.	1	
034	668-9781	BRAKE LEVER SPRING	1	
035	668-5121	BRAKE LINK COMP.	1	
037	668-9700	BRAKE SPRING	1	
038	668-9724	BRAKE BAND	1	
039	668-5141	NEEDLE ROLLER 3X9.8	1	
040	668-9709	BRAKE LINK COVER	1	
041	668-5161	TAPPING SCREW D4X10	1	
042	669-0750	GUIDE PLATE B	1	
045	669-4861	SCREW 4X8	1	
046	669-0727	GUIDE PLATE A	1	
048	668-6804	CHAIN BAR STUD BOLT	2	
049	668-7073	CHAIN TENSION BOLT ASSY	1	

# C07-09 SIDE CASE/CHAIN BRAKE



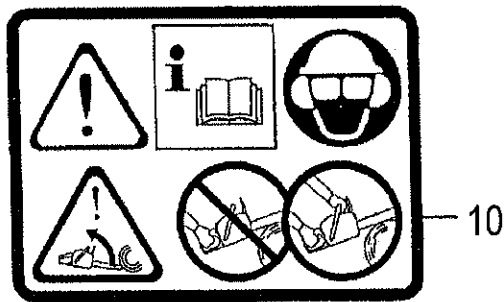
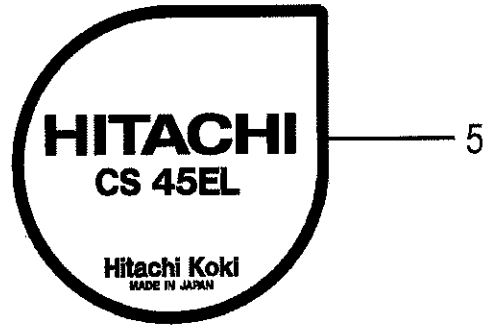
REF. NUMBER	PARTS NUMBER	DESCRIPTION	Q'TY	REMARKS /SERIAL NO.
<b>C07-09 SIDE CASE/CHAIN BRAKE</b>				
001	669-5106	TAPPING SCREW 5X18	1	
002	668-8212	REAR HANDLE GRIP	1	
003	668-8352	THROTTLE TRIGGER LOCKOUT	1	
004	669-0967	THROTTLE ROD COMP.	1	
005	668-6381	THROTTLE LEVER	1	
006	668-6412	THROTTLE LEVER SPRING	1	
007	668-5663	REAR HANDLE ASS'Y	1	
008	668-5282	SPRING PIN 5X25	1	
011	668-8079	FRONT HANDLE COMP.	1	
012	669-5106	TAPPING SCREW 5X18	4	
014	669-2172	AIR VENT VALVE ASS'Y	1	
015	669-1391	AIRVENT PIPE	1	
016	668-8241	FRONT DAMPER	1	
017	668-8261	DAMPER COMP.	2	
018	668-8478	DAMPNER COLLAR	2	
019	669-5039	HEX. HOLE BOLT 4X20	2	
020	669-2311	CLIP 5.2	1	
021	668-8173	FUEL PIPE ASS'Y L=195	1	
022	668-4619	CLIP, 6.3 DIA.	1	
025	669-2285	PUMP FILTER BODY ASS'Y	1	
035	669-2111	TANKCAP ASS'Y	1	
037	668-5179	TANK CAP PACKING	1	

# C07-10 COVER/CHAIN BAR/TOOLS



REF. NUMBER	PARTS NUMBER	DESCRIPTION	Q'TY	REMARKS /SERIAL NO.
<b>C07-10 COVER/CHAIN/CHAIN BAR/TOOLS</b>				
002	668-6834	CHAIN BAR 18	1	
013	668-7284	CHAIN 18	1	
020	669-4804	CHAIN COVER 20	1	
050	669-3809	COMBI. BOX SPANNER 13X19 MINU	1	
051	668-6632	4X50 MINUS DRIVER	1	

# C07-11 LABELS



REF. NUMBER	PARTS NUMBER	DESCRIPTION	Q'TY	REMARKS /SERIAL NO.
	<b>C07-11 LABELS</b>			
004	669-4402	NAME PLATE CS45EL	1	
005	669-4505	STARTER MARK CS45EL	1	
010	669-4445	CAUTION MARK A	1	