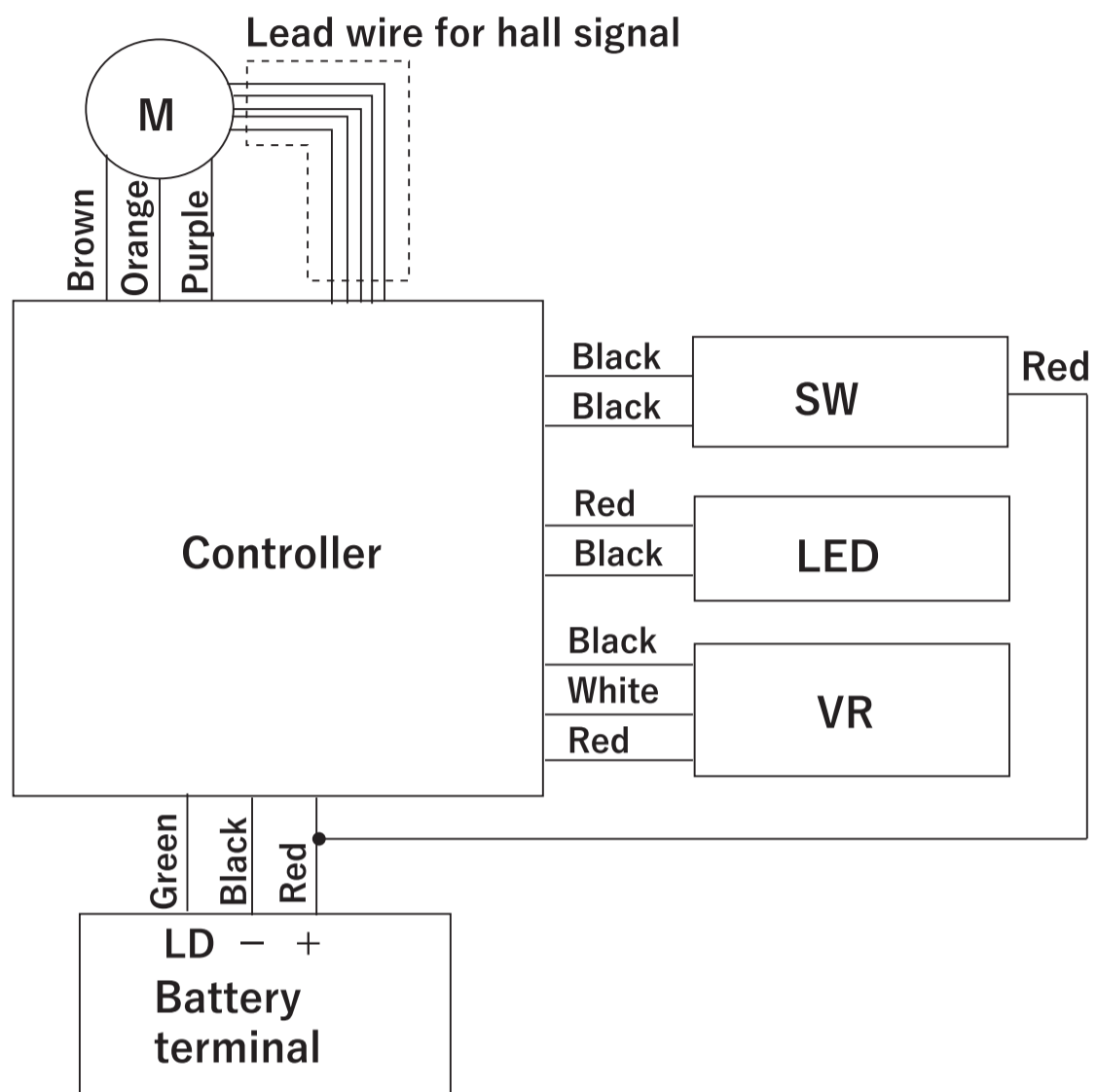


MODEL
CV18DMA(1/2)



HIKOKI

CORDLESS OTHERS CV18DMA

Item No.	Code No.	Description	No. Used	Remarks
1	383045	CLAMP LEVER ASS'Y	1	INCLUD.2,3,5,8,9
2	382883	PUSHING PIECE	1	
3	382884	LEVER ASS'Y	1	INCLUD.10
4	380989	HEAD RUBBER	1	
5	382885	NEEDLE ROLLER	1	
6	303694	TAPPING SCREW (W/FLANGE) D4X35 (BLACK)	4	
7	382886	HEAD CASE	1	
8	337670	SEAL LOCK SCREW M4X6	1	
9	337669	LEVER GUIDE	1	
10	376695	RUBBER CUSHION (B)	1	
11	301653	TAPPING SCREW (W/FLANGE) D4X20 (BLACK)	12	
12	382887	CONNECTING PIECE	1	
13	382888	NEEDLE CAGE	1	
14	382891	WIRING ASS'Y	1	INCLUD.15-17,26
15	382894	BALANCER	1	
16	382889	BEARING HOLDER	1	
17	6001VV	BALL BEARING 6001VV	1	
18		NAME PLATE	1	
19	382893	HOUSING (A).(B) SET	1	INCLUD.20,21
20	338434	RUBBER CUSHION (B)	2	
21	370321	DAMPER (A)	2	
22	380990	MOTOR CASE (A).(B) SET	1	
23	382892	SWITCH KNOB	1	
24	987105	O-RING (S-10)	1	
25	379151	DIAL	1	
26	339769	BATTERY TERMINAL	1	
		STANDARD ACCESSORIES		
501		MULTI BLADE (MMD32PBC)	1	
				EPC CODE NO.782728
*502	337685	TOOL BOX	1	FOR EUROPE
*503		MULTI TOOL PAD (MSU93D)	1	
				EPC CODE NO.782791 FOR EUROPE
*504	338253	SANDING PAPERS 94X94 AA80 (10 PCS.)	5	FOR EUROPE
*504	338255	SANDING PAPERS 94X94 AA120 (10 PCS.)	5	FOR EUROPE
*505	382793	DUST COLLECTION ADAPTER SET	1	INCLUD.506 FOR EUROPE
*506	382794	FELT PACKING	1	FOR EUROPE
*507	336471	CASE ASS'Y (STACKABLE 2)	1	INCLUD.508-510 FOR EUROPE
*508	336472	LATCH	4	FOR EUROPE
*509	336473	HANDLE	1	FOR EUROPE
*510	336474	HINGE	2	FOR EUROPE
*511	382675	INNER TRAY	1	FOR EUROPE
		OPTIONAL ACCESSORIES		
601	335781	GREASE FOR ROTARY HAMMER (500G)	1	
602	382994	GREASE (SUMIPLEX K-SO NO.1) 75G	1	
603		MULTI BLADE (MMW32PC)	1	
				EPC CODE NO.782743
604		MULTI BLADE (MMD52PBC)	1	
				EPC CODE NO.782729
605		MULTI BLADE (MMD100SB)	1	
				EPC CODE NO.782730
606		MULTI BLADE (MMI32PH)	1	
				EPC CODE NO.782717
607		MULTI BLADE (MMU32PK)	1	

* ALTERNATIVE PARTS

HIKOKI

CORDLESS OTHERS CV18DMA

Item No.	Code No.	Description	No. Used	Remarks
				EPC CODE NO.782744

* ALTERNATIVE PARTS