

# MITSUBISHI

LIST NO. 0885

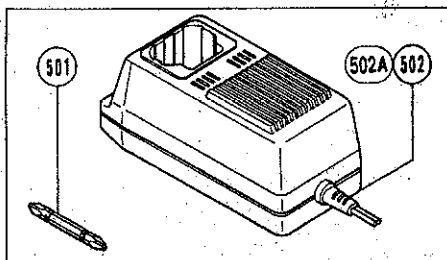
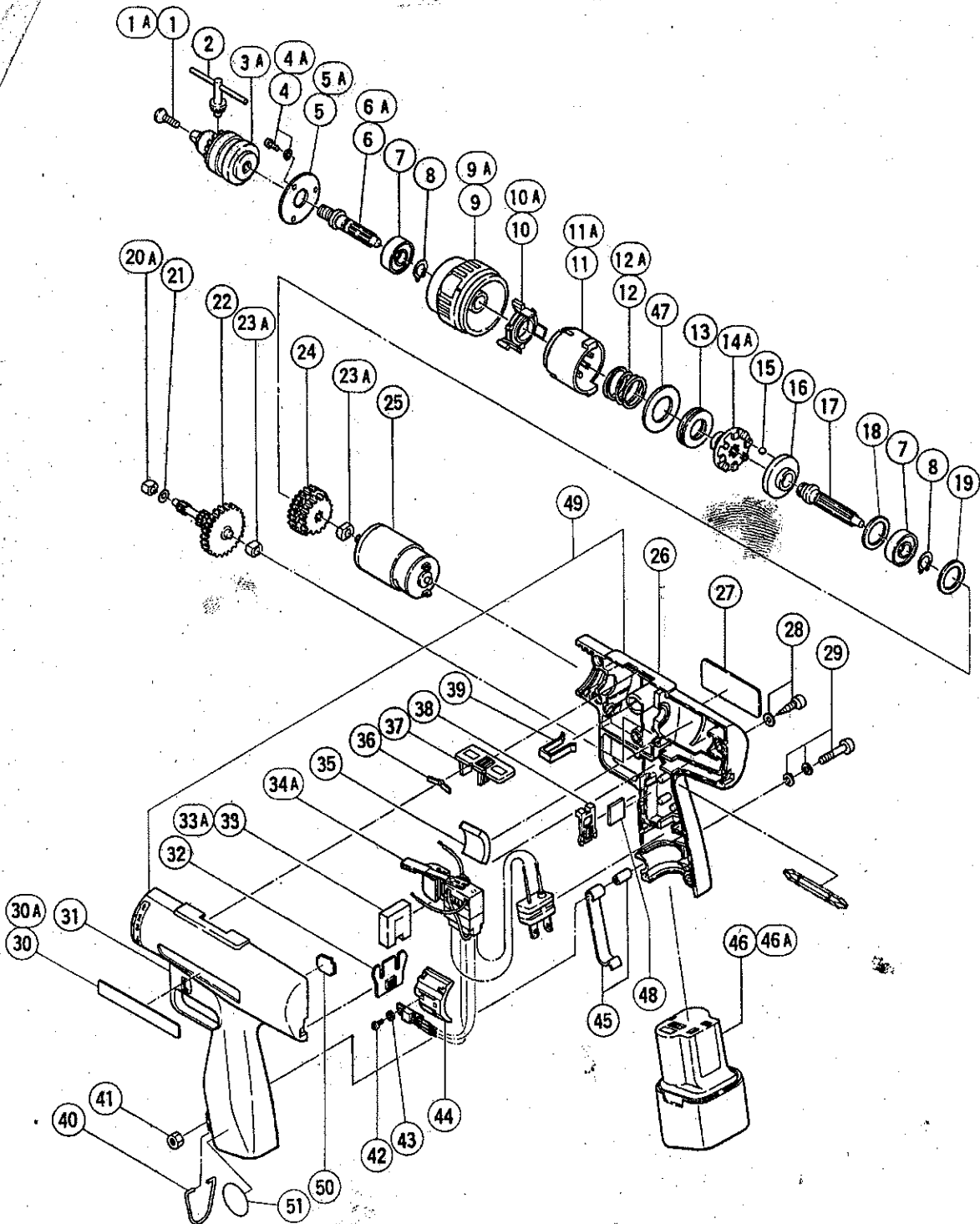
## ELECTRIC TOOL PARTS LIST

CORDLESS DRIVER DRILL

1989-10-30

Model D 10DC

D 10DC (E3)



## PARTS

D 10DC

ITEM NO.	CODE NO.	DESCRIPTION	NO. USED	REMARKS
1	980-836	FLAT HD. SCREW (LEFT HAND) M5X20	1	FOR DRILL CHUCK MODEL 10TLR TILL 9.1986
1A	992-077	FLAT HD. SCREW (LEFT HAND) M5X17	1	SINCE 10.1986
2	980-057	CHUCK WRENCH 10TL2	1	
3A	950-292	DRILL CHUCK 10TLRA	1	INCLUD.2
4	986-662	MACHINE SCREW (W/WASHERS) M4X10	2	TILL 12.1984
4A	984-327	TAPPING SCREW (W/SP.WASHER) D3X8	3	SINCE 1.1985
5	981-343	PLATE	1	TILL 12.1984
5A	991-683	PLATE	1	SINCE 1.1985
6	981-337	SPINDLE (B)	1	TILL 12.1984
6A	981-355	SPINDLE (B)	1	SINCE 1.1985
7	600-0VV	BALL BEARING 6000VVCMP2S	2	
8	939-540	RETAINING RING FOR D10 SHAFT (10 PCS.)	2	
9	981-342	CAP	1	TILL 12.1984
9A	991-576	CAP	1	SINCE 1.1985
10	981-340	SPRING PLATE	1	TILL 12.1984
10A	991-575	SPRING HOLDER	1	SINCE 1.1985
11	981-341	CAP HOLDER	1	TILL 12.1984
11A	981-356	CASE	1	SINCE 1.1985
12	981-349	SPRING	1	TILL 12.1984
12B	981-359	SPRING	1	SINCE 10.1985
13	981-338	THRUST NEEDLE BEARING	1	
14A	981-336	RATCHET	1	
15	959-155	STEEL BALL D3.97 (10 PCS.)	8	
16	981-335	BALL HOLDER	1	
17	981-332	SPINDLE (A)	1	
18	981-334	DAMPER	1	TILL 12.1984
19	981-351	WASHER	1	TILL 12.1984
20A	994-677	METAL D4X6	1	
21	949-423	WASHER M4 (10 PCS.)	1	
22	980-829	SECOND PINION	1	
23A	997-752	METAL	2	
24	981-348	FINAL GEAR	1	
25	992-071	MOTOR	1	
26	992-102	HOUSING (B)	1	TILL 12.1984
27		NAME PLATE	1	
28	930-446	TAPPING SCREW (W.WASHER) D4X16	5	
29	992-074	MACHINE SCREW (W/WASHERS) M4X25	1	
30	938-098	HITACHI LABEL	1	TILL 12.1984
30A	937-638	HITACHI LABEL	1	SINCE 1.1985
31	992-100	HOUSING (A)	1	TILL 12.1984
32	981-344	BIT COVER	1	
33	992-078	SEAL	1	TILL 11.1987
33A	980-834	SEAL	1	SINCE 12.1987
34A	992-104	SWITCH (2P PLUG IN TYPE) W/O LOCK	1	INCLUD.33A
35	980-840	CUSHION (A)	1	
36	980-829	SHIFT SPRING	1	
37	980-828	SHIFT KNOB	1	
38	980-833	SWITCH LOCK	1	
39	980-837	KEY HOLDER	1	
40	980-838	HOOK	1	
41	949-554	NUT M4 (10 PCS.)	1	
42	949-201	MACHINE SCREW M3X5 (10 PCS.)	1	

## PARTS

SD 10DC

ITEM NO.	CODE NO.	DESCRIPTION	NO. USED	REMARKS
43	949-451	SPRING WASHER M3 (10 PCS.)	1	
44	992-073	FIN	1	
45	980-581	BATTERY CASE HOLDER	1	
* 46	980-576Z	BATTERY B-2 (W/ENGLISH N.P.)	1	
* 46	980-575Z	BATTERY B-2 (W/GERMAN N.P.)	1	
* 46	980-578Z	BATTERY B-2 (W/FRENCH N.P.)	1	
* 46	980-579Z	BATTERY B-2 (W/ENGLISH N.P.)	1	FOR USA
* 46A	980-582	BATTERY B-2 (W/GERMAN N.P.)	1	FOR SUI
47	990-398	BEARING WASHER	1	SINCE 1.1985
48	992-079	SPACER	1	TILL 11.1987
49	981-361	HOUSING ASS'Y	1	INCLUD.35 SINCE 1.1985
50	981-360	BIT PLATE	1	SINCE 5.1985
51	987-135	MARK PLATE	1	

## STANDARD ACCESSORIES

ITEM NO.	CODE NO.	DESCRIPTION	NO. USED	REMARKS
501	955-654	+ DRIVER BIT (A) NO.2 70L	1	
502		CHARGER (MODEL BC-2)	1	TILL REPLACED BY UC 12Y
502A		CHARGER (MODEL UC 12Y)	1	

## OPTIONAL ACCESSORIES

ITEM NO.	CODE NO.	DESCRIPTION	NO. USED	REMARKS
601	955-676	HEX. SOCKET (A) 4MMX55L	1	
602	955-677	HEX. SOCKET (A) 5MMX55L	1	
603	955-678	HEX. SOCKET (A) 6MMX55L	1	
604	955-657	-- DRIVER BIT 3MMX70	1	
605	955-659	-- DRIVER BIT 4MMX70	1	
606	955-674	-- DRIVER BIT (A) 6MMX70	1	
607	955-655	+ DRIVER BIT (A) NO.3 70L	1	
608	955-670	+ DRIVER BIT (A) NO.1 70L	1	
609	992-101	CASE ASS'Y	1	
610	936-553	WRENCH 12MM	1	