

HITACHI

LIST NO. E806

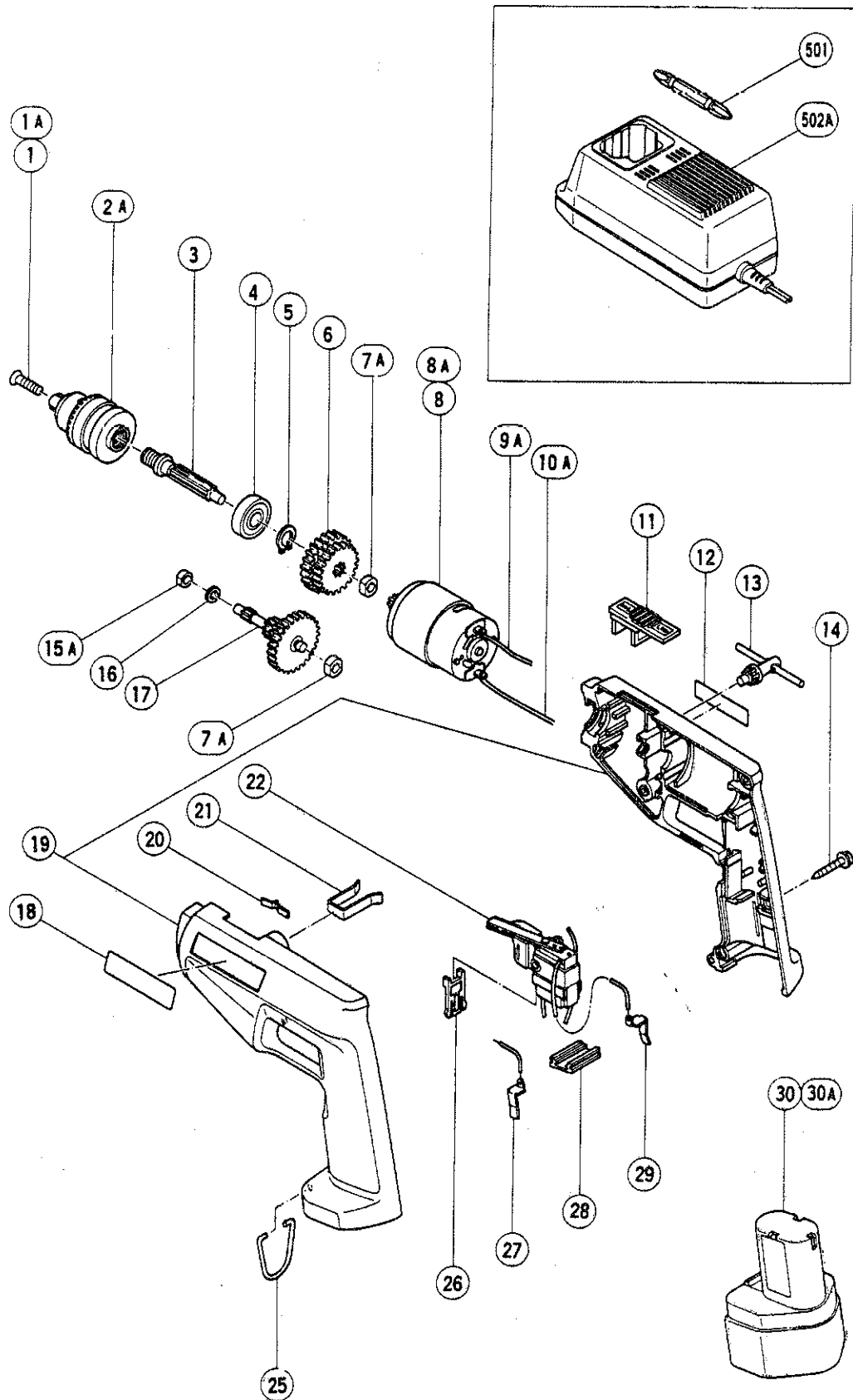
ELECTRIC TOOL PARTS LIST

■ CORDLESS DRIVER DRILL

1996 · 7 · 31

Model D 10DD

(E4)



PARTS

D 10DD

ITEM NO.	CODE NO.	DESCRIPTION	NO. USED	REMARKS
* 1	980-838	FLAT HD. SCREW (LEFT HAND) M5X20	1	FOR DRILL CHUCK 10TLR TILL 9.1986
* 1A	992-077	FLAT HD. SCREW (LEFT HAND) M5X17	1	FOR JACOBS DRILL CHUCK SINCE 10.1986
2A	950-282	DRILL CHUCK 10TLRA	1	INCLUD.13
3	980-843	SPINDLE	1	
4	800-0VV	BALL BEARING 6000VVCMP2S	1	
5	939-540	RETAINING RING FOR D10 SHAFT (10 PCS.)	1	
* 6	981-348	FINAL GEAR	1	
* 6	995-433	FINAL GEAR (HIGH SPEED TYPE)	1	FOR HOL
7A	997-752	METAL	2	
* 8	995-431	MOTOR (HIGH SPEED TYPE)	1	FOR HOL
* 8A	303-395	MOTOR	1	
9A	995-430	INTERNAL WIRE (B) (RED) 80L	1	
10A	980-846	INTERNAL WIRE (B) (BLACK) 40L	1	
11	991-664	SHIFT KNOB	1	
12		CAUTION PLATE	1	
13	980-057	CHUCK WRENCH 10TL2	1	
14	930-446	TAPPING SCREW (W/WASHER) D4X16	6	
15A	994-677	METAL D4X6	1	
16	949-423	WASHER M4 (10 PCS.)	1	
* 17	980-823	SECOND PINION	1	
* 17	995-432	SECOND PINION (HIGH SPEED TYPE)	1	FOR HOL
18		NAME PLATE	1	
19	995-420	HOUSING (A),(B) SET	1	
20	980-829	SHIFT SPRING	1	
21	980-837	KEY HOLDER	1	
22	995-426	SWITCH (2P PLUG IN TYPE) W/O LOCK	1	
25	980-838	HOOK	1	
26	980-833	SWITCH LOCK	1	
27	995-427	TERMINAL (BROWN)	1	
28	991-666	TERMINAL SUPPORT	1	
29	995-426	TERMINAL	1	
* 30	991-642Z	BATTERY EB 9 (W/ENGLISH N.P.)	1	
30	991-643Z	BATTERY EB 9 (W/FRENCH N.P.)	1	FOR FRA
* 30	991-644Z	BATTERY EB 9 (W/ENGLISH N.P.)	1	FOR USA,CAN
* 30A	991-681	BATTERY EB 9 (W/ENGLISH N.P.)	1	FOR EUROPE (EXCEPT FOR FRA)

STANDARD ACCESSORIES

ITEM NO.	CODE NO.	DESCRIPTION	NO. USED	REMARKS
501	983-006	+ DRIVER BIT NO.2 65L	1	
502A		CHARGER (MODEL UC 12Y)	1	

* : ALTERNATIVE PARTS

