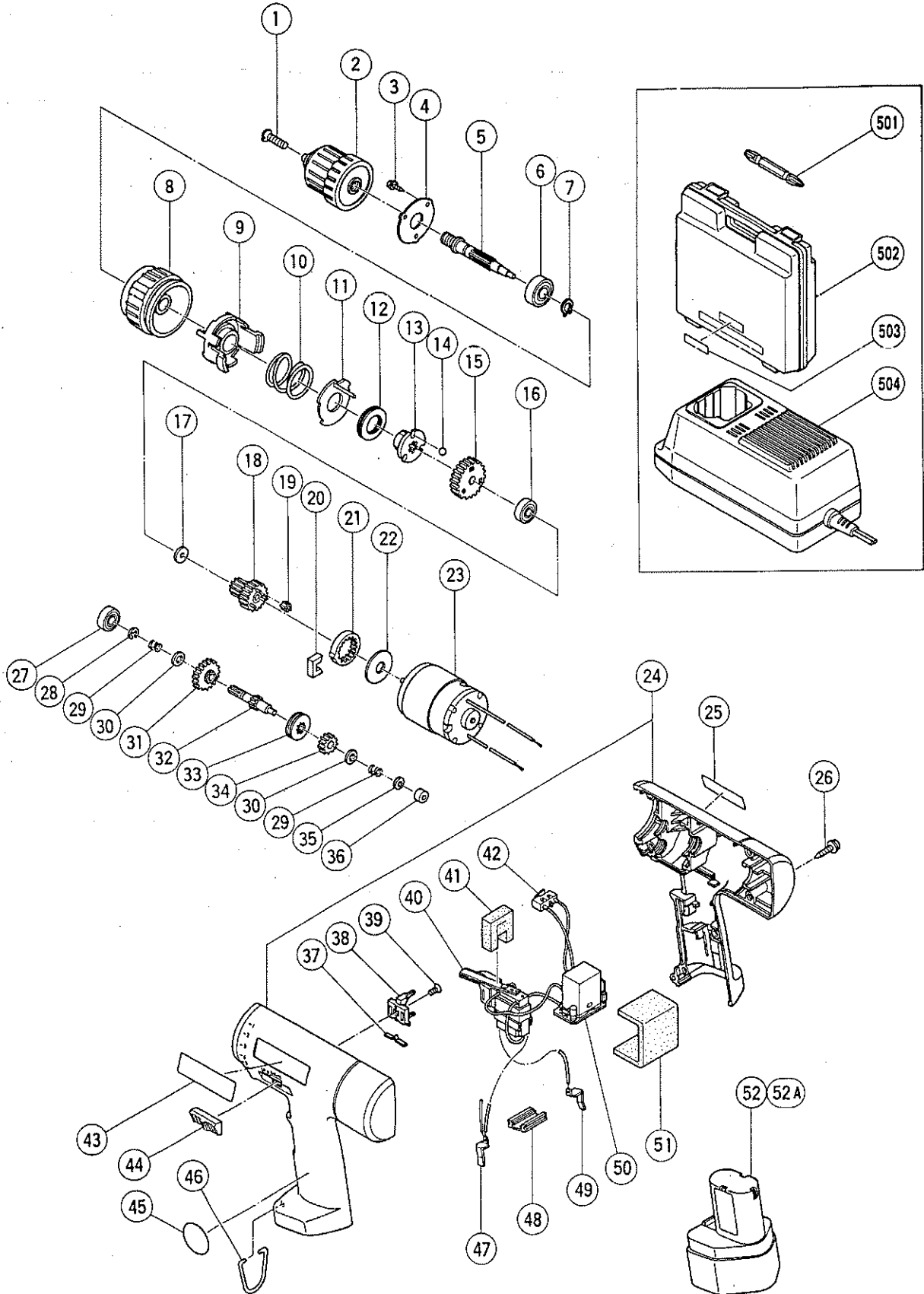


ELECTRIC TOOL PARTS LIST

■ CORDLESS DRIVER DRILL
Model D 10DJ

1992 · 8 · 31
(E2)



PARTS

D 10DJ

ITEM NO.	CODE NO.	DESCRIPTION	NO. USED	REMARKS
1	992-077	FLAT HD. SCREW (LEFT HAND) M5X17	1	
* 2	301-553	DRILL CHUCK 10TLR -- N (W/O CHUCK HANDLE)	1	
3	984-327	TAPPING SCREW (W/SP. WASHER) D3X8	3	
4	991-683	PLATE	1	
5	301-741	SPINDLE	1	
6	600-0VV	BALL BEARING 6000VVCMP2S	1	
7	939-540	RETAINING RING FOR D10 SHAFT (10 PCS.)	1	
8	301-748	CAP	1	
9	303-722	SPRING HOLDER	1	
10	301-746	SPRING	1	
11	303-637	ACTUATOR	1	
12	301-744	THRUST NEEDLE BEARING	1	
13	301-743	BALL HOLDER	1	
14	959-149	STEEL BALL D4.76 (10 PCS.)	3	
15	301-742	FINAL GEAR	1	
16	626-VVM	BALL BEARING 626VVMC2ERPS2S	1	
17	301-730	WASHER	1	
18	301-728	GEAR HOLDER	1	
19	301-725	IDLE GEAR (3 PCS.)	3	
20	301-978	DAMPER	1	
21	301-726	RING GEAR	1	
22	301-727	WASHER	1	
23	303-633	MOTOR	1	
* 24	303-640	HOUSING (A),(B) SET	1	
* 25		NAME PLATE	1	EXCEPT FOR USA
* 25		CAUTION PLATE	1	FOR USA
26	991-672	TAPPING SCREW (W/WASHER) D3X16	6	
27	607-MC3	BALL BEARING 607MC3	1	
28	673-489	RETAINING RING (E - TYPE) FOR D5 SHAFT	1	
29	301-738	SPRING (A)	2	
30	301-739	WASHER	2	
31	301-735	LOW SPEED GEAR	1	
32	301-733	SECOND PINION	1	
33	301-736	CLUTCH PLATE	1	
34	301-734	HIGH SPEED GEAR	1	
35	301-737	WASHER	1	
36	994-677	METAL D4X8	1	
37	980-829	SHIFT SPRING	1	
38	301-749	SHIFT ARM	1	
39	949-321	FLAT HD. SCREW M4X8 (10 PCS.)	1	
40	995-426	SWITCH (2P PLUG IN TYPE) W/O LOCK	1	
41	980-834	SEAL	1	
42	303-642	MICRO SWITCH	1	
* 43		HITACHI LABEL	1	EXCEPT FOR USA
* 43		NAME PLATE	1	FOR USA
44	301-750	SHIFT KNOB	1	
45	306-089	AUTO STOP LABEL	1	
46	980-838	HOOK	1	
47	303-641	TERMINAL	1	
48	991-666	TERMINAL SUPPORT	1	
49	303-710	TERMINAL	1	

*: ALTERNATIVE PARTS

STANDARD ACCESSORIES

D 10DJ

ITEM NO.	CODE NO.	DESCRIPTION	NO. USED	REMARKS	
501	955-654	+ DRIVER BIT (A) NO.2 70L	1		
502	302-670	CASE	1	DEPENDING ON ORDER SPEC.	
503		HITACHI LABEL	1		
504		CHARGER (MODEL UC 12Y)	1	DEPENDING ON ORDER SPEC.	

OPTIONAL ACCESSORIES

ITEM NO.	CODE NO.	DESCRIPTION	NO. USED	REMARKS	
601	955-657	- DRIVER BIT (A) 3MMX70L	1		
602	955-659	- DRIVER BIT (A) 4MMX70L	1		
603	955-674	- DRIVER BIT (A) 6MMX70L	1		
604	955-670	+ DRIVER BIT (A) NO.1 70L	1		
605	955-655	+ DRIVER BIT (A) NO.3 70L	1		

*: ALTERNATIVE PARTS