

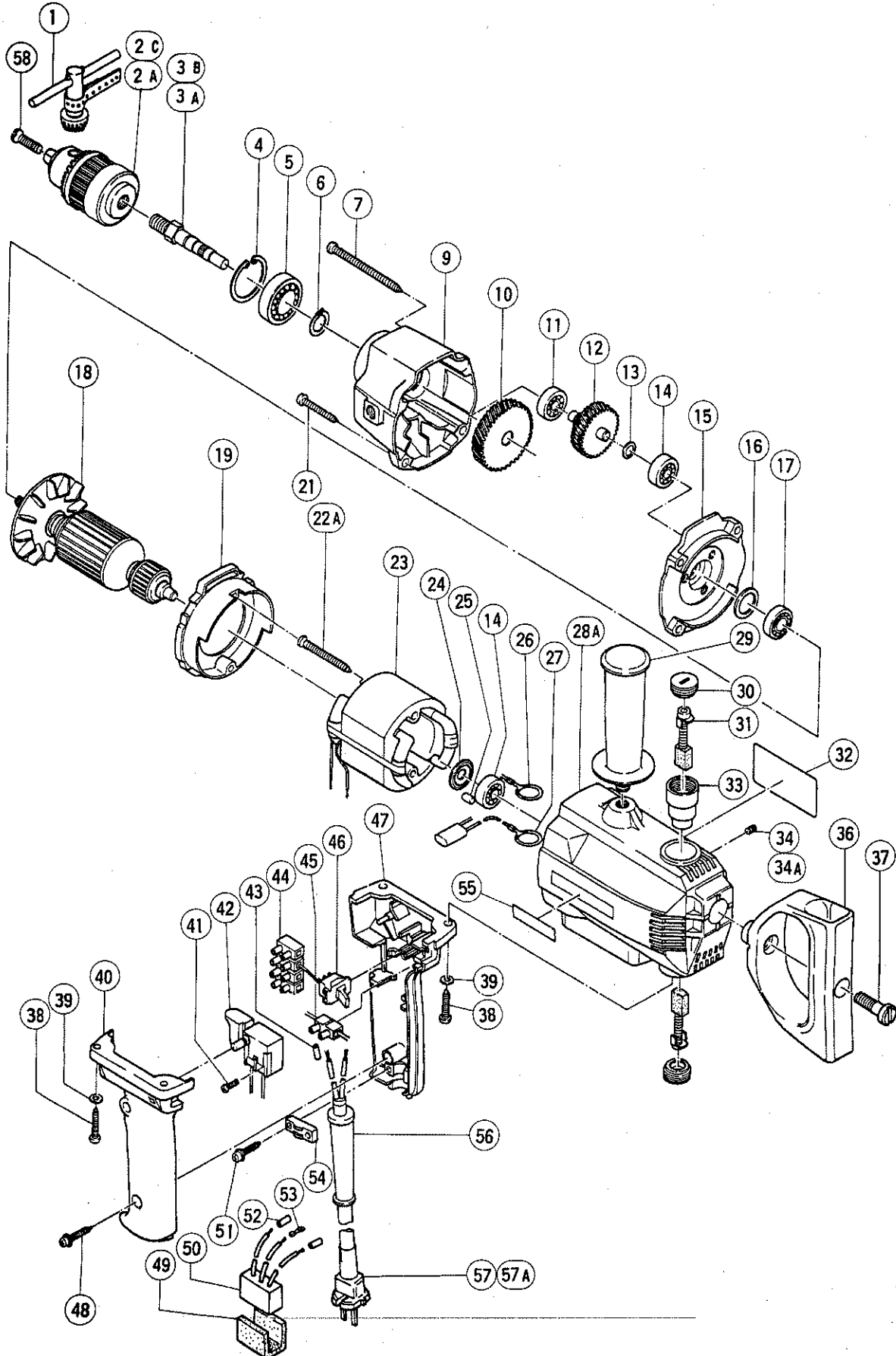
## ELECTRIC TOOL PARTS LIST

■ DRILL

Model D 13

1993·9·3

(E4)



## PARTS

D 13

ITEM NO.	CODE NO.	DESCRIPTION	NO. USED	REMARKS
1	930-515	CHUCK WRENCH 10G	1	
2A	950-274	DRILL CHUCK 13ELA	1	TILL 9.1982
2C	950-275	DRILL CHUCK 13VLR	1	INCLUD.1,58 SINCE 10.1982
3A	981-851Z	SPINDLE	1	TILL 9.1982 FOR TAPER
3B	981-867	SPINDLE	1	SINCE 10.1982 FOR SCREW
4	939-556	RETAINING RING FOR D35 HOLE (10 PCS.)	1	
5	620-2VV	BALL BEARING 6202VVMCPS2S	1	
6	939-544	RETAINING RING FOR D15 SHAFT (10 PCS.)	1	
7	957-725	TAPPING SCREW D5X70	2	
9	981-850	GEAR COVER	1	
10	983-448	FINAL GEAR	1	
11	627-VVM	BALL BEARING 627VVMC2EPS2S	1	
12	981-852Z	SECOND PINION	1	
13	949-426	WASHER M8 (10 PCS.)	1	
14	608-VVM	BALL BEARING 608VVMC2EPS2L	2	
15	982-791	INNER COVER ASS'Y	1	INCLUD.14,16,17
16	984-357	WASHER	1	
17	609-VVM	BALL BEARING 609VVMC2PS2S	1	
* 18	981-857U	ARMATURE ASS'Y 110V - 127V	1	INCLUD.14,17,24
* 18	981-857E	ARMATURE 220V - 230V	1	
* 18	981-857F	ARMATURE 240V	1	
* 18	982-807	ARMATURE 100V	1	FOR KOR
19	981-562	FAN GUIDE	1	
21	931-875	TAPPING SCREW D5X35	2	
22A	991-007	TAPPING SCREW D5X60	2	
* 23	982-797C	STATOR 110V - 127V	1	
* 23	982-797E	STATOR 220V	1	
* 23	982-797F	STATOR 230V - 240V	1	
* 23	982-797L	STATOR 220V	1	FOR EUROPE
* 23	982-797H	STATOR 220V - 240V	1	FOR BEL,ITA,AUS,CHN
* 23	982-797G	STATOR 230V - 240V	1	FOR NZL,SAF,GBR
* 23	982-797J	STATOR 110V	1	FOR GBR
* 23	982-806	STATOR 100V	1	FOR KOR
24	984-367	WASHER (C)	1	
25	946-362	BEARING LOCK	1	
* 28	982-798Z	BRUSH TERMINAL	1	
* 26	982-800Z	BRUSH TERMINAL (W/CHOKE COIL)	1	FOR NZL,GBR,SAF,FRG,HOL,DEN,FIN,SWE, AUT,SUI,FRA
* 27	982-799Z	BRUSH TERMINAL	1	
* 27	982-801Z	BRUSH TERMINAL (W/CHOKE COIL)	1	FOR NZL,GBR,SAF,FRG,HOL,DEN,FIN,SWE, AUT,SUI,FRA
28A	982-790Z	HOUSING ASS'Y	1	INCLUD.33,34A
29	981-205	SIDE HANDLE FOR M10	1	
30	981-781	BRUSH CAP	2	
31	<del>981-842Z</del>	CARBON BRUSH (AUTO STOP TYPE) (1 PAIR)	2	999-073
32		NAME PLATE	1	
33	981-586	BRUSH HOLDER	2	
34	962-782	HEX. SOCKET SET SCREW M5X6	2	TILL 2.1986
34A	985-114	HEX. SOCKET SET SCREW M4X6	2	SINCE 3.1986
36	982-794Z	D - TYPE HANDLE	1	
37	982-796Z	SPECIAL BOLT M10	1	

\*: ALTERNATIVE PARTS

**PARTS**

ITEM NO.	CODE NO.	DESCRIPTION	NO. USED	REMARKS
38	937-807	TAPPING SCREW D5X25	4	
39	949-424	WASHER M5 (10 PCS.)	4	
40	984-381	HANDLE (B)	1	
41	980-060	MACHINE SCREW (W/WASHER) M3.5X5	2	
* 42	957-747	SWITCH (A) (1P SCREW TYPE) W/LOCK	1	
* 42	971-667Z	SWITCH (2P PILLAR TYPE) W/LOCK	1	FOR OCEANIA,GBR,SAF,ITA,BEL,FRA,FRG, HOL,DEN,FIN,SWE,AUT,SUI,CHN
* 43	981-373	TUBE (D)	2	FOR OCEANIA,GBR,SAF,ITA,HOL,DEN,FIN, SWE,AUT,SUI
* 44	982-804Z	PILLAR TERMINAL (B)	1	
* 45	982-805Z	PILLAR TERMINAL (B)	1	FOR SIN,USA,CAN
* 46	982-802Z	REVERSING SWITCH ASS'Y	1	INCLUD.44
* 48	982-803Z	REVERSING SWITCH ASS'Y	1	INCLUD.44 FOR USA,CAN
47	984-360	HANDLE (A)	1	
48	982-095	TAPPING SCREW (W/WASHER) D4X20	1	
* 49	930-153	SUPPORT (B)	1	FOR NZL,GBR,SAF,FRG,HOL,DEN,SWE,FIN, AUT,FRA
* 50	994-273	NOISE SUPPRESSOR	1	
* 50	971-828	NOISE SUPPRESSOR	1	FOR AUT
51	930-446	TAPPING SCREW (W/WASHER) D4X16	2	
* 52	981-373	TUBE (D)	2	FOR ITA,BEL,FRG,FRA,FIN
* 53	959-146	TERMINAL 50061 (10 PCS.)	1	FOR NZL,GBR,SAF,FRG,HOL,DEN,SWE
* 53	961-419Z	TERMINAL	1	FOR FIN,AUT,FRA
54	960-266	CORD CLIP	1	
55	957-561	HITACHI LABEL	1	
* 56	953-327	CORD ARMOR D8.8	1	
* 56	938-051	CORD ARMOR D10.1	1	
* 57	500-201Z	CORD	1	(CORD ARMOR D10.1)
* 57	500-223Z	CORD	1	(CORD ARMOR D10.1) FOR SIN
* 57	500-231Z	CORD	1	(CORD ARMOR D8.8) FOR GBR (110V),SAF
* 57	500-234Z	CORD	1	(CORD ARMOR D8.8) FOR INA,SUR,MAL,ITA, BEL,FRG,FRA,HOL,DEN,SWE
* 57	500-226Z	CORD	1	(CORD ARMOR D10.1) FOR OCEANIA
* 57	500-240Z	CORD	1	(CORD ARMOR D8.8) FOR USA,CAN
* 57	500-245Z	CORD	1	(CORD ARMOR D10.1) FOR SYR
* 57	500-247Z	CORD	1	(CORD ARMOR D10.1) FOR AUS,FIN
* 57	500-248Z	CORD	1	(CORD ARMOR D10.1) FOR SUI
* 57	930-051	CORD	1	(CORD ARMOR D10.1) FOR KOR
* 57A	500-436Z	CORD	1	(CORD ARMOR D8.8) FOR GBR (240V)
58	981-122	SPECIAL SCREW M6X22	1	

**OPTIONAL ACCESSORIES**

ITEM NO.	CODE NO.	DESCRIPTION	NO. USED	REMARKS
601	930-886	HANDLE JOINT	1	
602	981-655Z	DEPTH STOPPER	1	

\* : ALTERNATIVE PARTS