

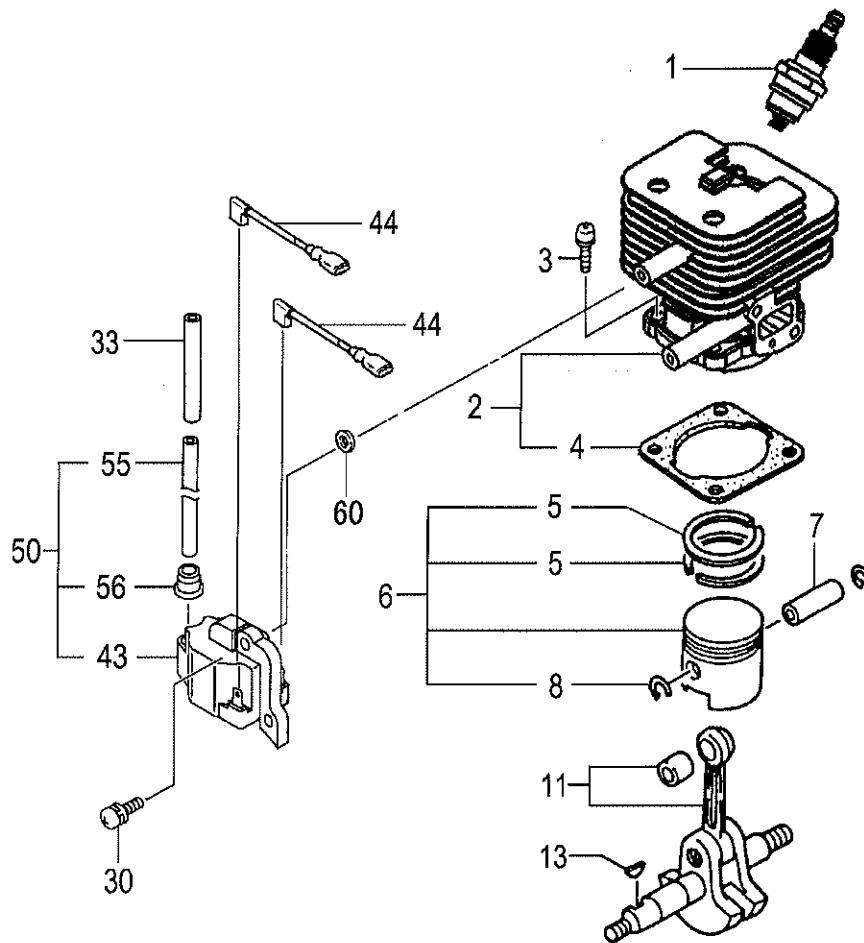
S32

(For Europe/Russia)

DA200E(S)

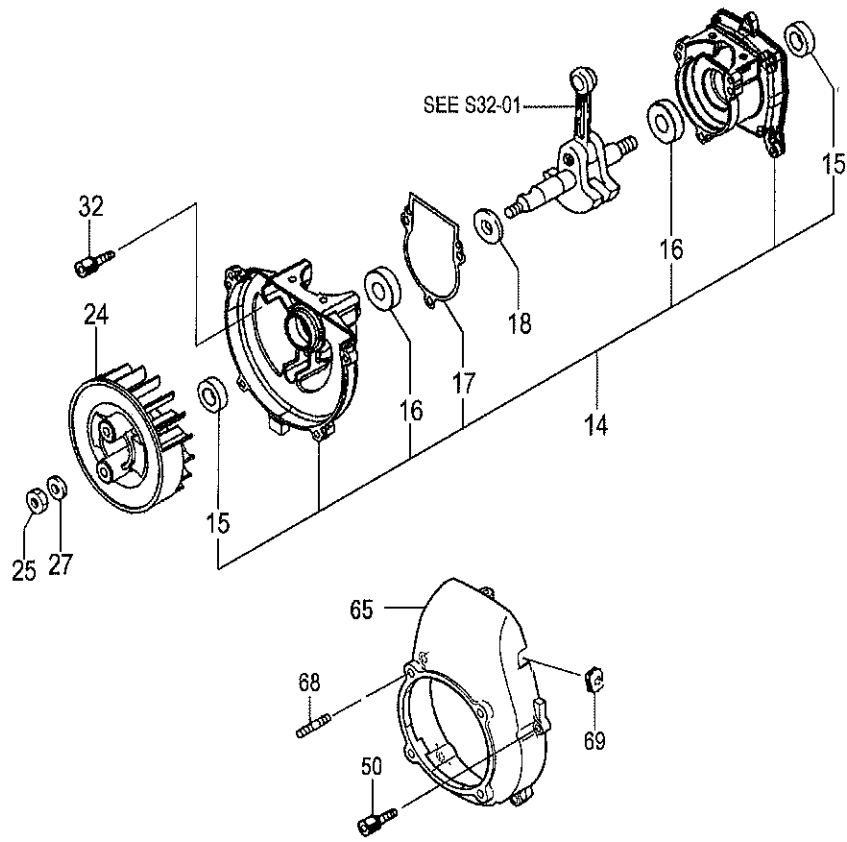
Serial No.

S32-01 CYLINDER/PISTON/CRANK SHAFT



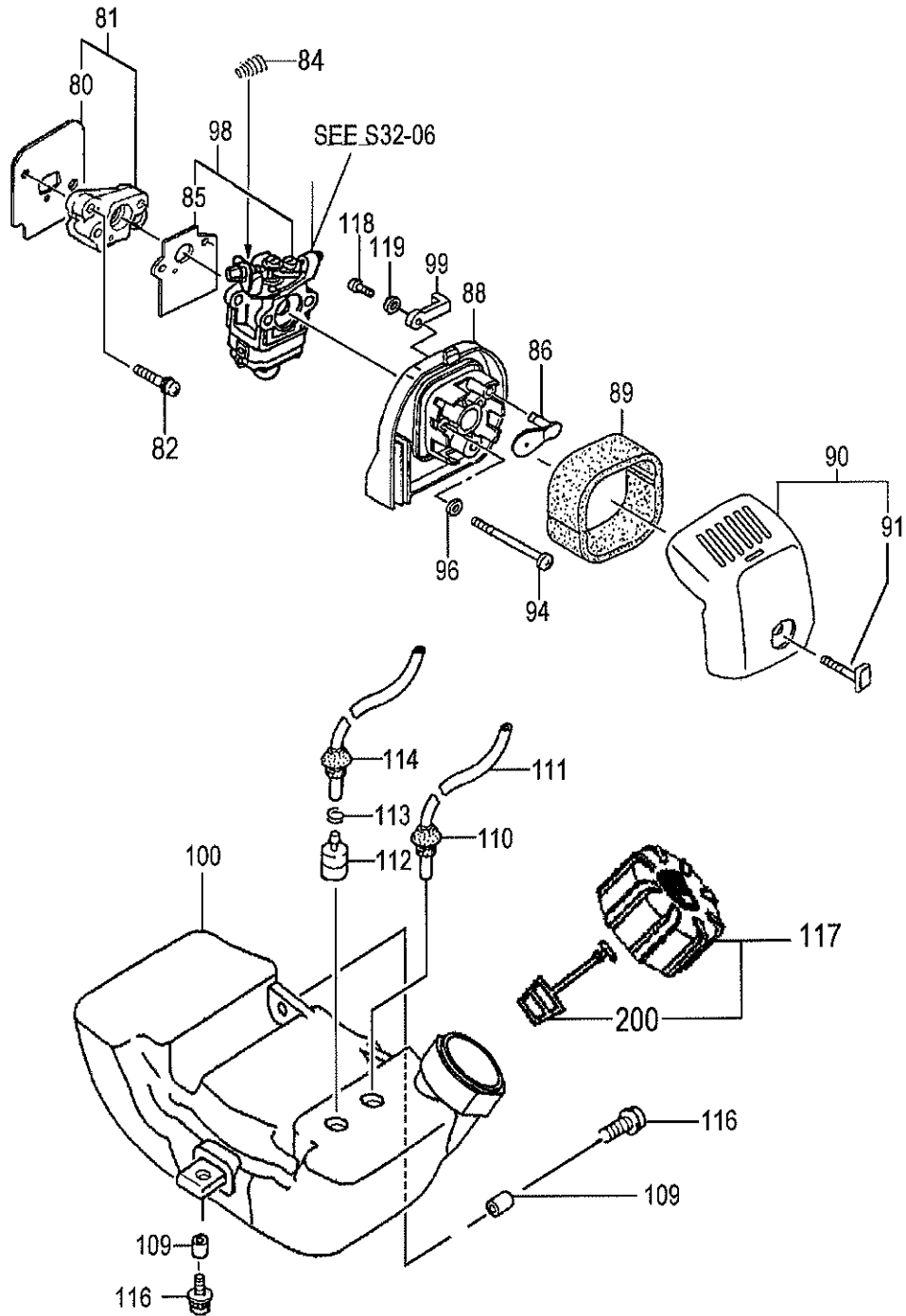
REF. NUMBER	PARTS NUMBER	DESCRIPTION	Q'TY	REMARKS /SERIAL NO.
S32-01 CYLINDER/PISTON/CRANK SHAFT				
001	668-5775	SPARK PLUG RCJ-6Y	1	
002	668-5487	CYLINDER SET	1	
003	668-4903	HEX.HOLE BOLT M5X16/S	4	
004	668-5746	CYLINDER GASKET	1	
005	668-5081	PISTON RING	2	
006	668-5898	PISTON SET	1	
007	668-6008	PISTON PIN	1	
008	668-5078	CIRCLIP	2	
011	669-6499	CRANK SHAFT COMP	1	
013	668-4899	WOODRUFF KEY 3X13X4.5	1	
030	668-4599	HEX.HOLE BOLT M4X18/WS	2	
033	668-8319	INSULATOR TUBE, 110L	1	
043	668-7663	IGNITION COIL COMP	1	
044	668-7874	STOP CORD B160M	2	
050	668-7665	IGNITION COIL ASS'Y	1	
055	668-7888	HIGH TENSION CORD 140L	1	
056	668-4602	RUBBER CAP	1	
060	668-4600	WASHER	2	

S32-02 CRANK CASE



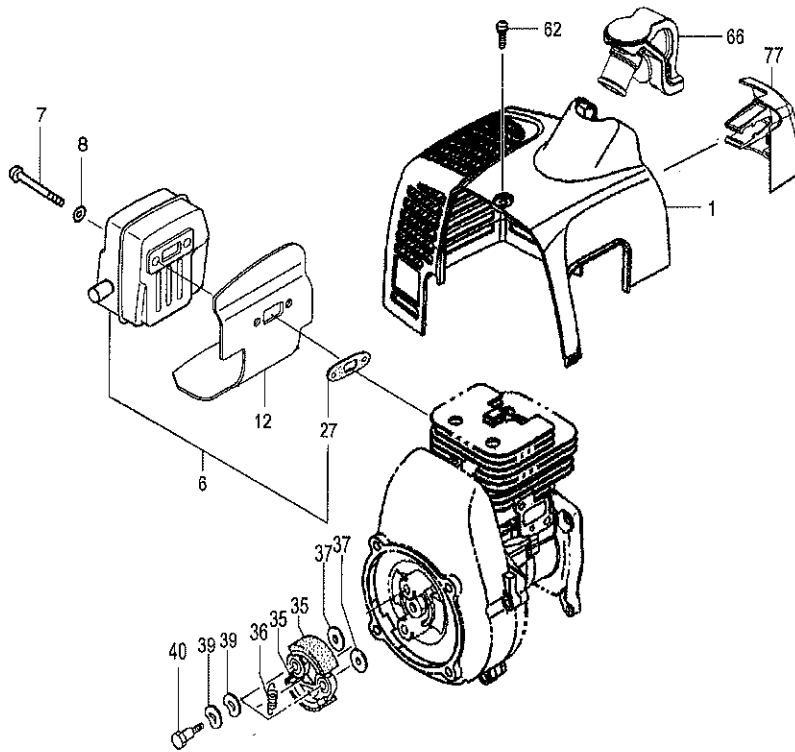
REF. NUMBER	PARTS NUMBER	DESCRIPTION	Q'TY	REMARKS /SERIAL NO.
S32-02 CRANK CASE				
014	668-6580	CRANK CASE ASS'Y	1	
015	668-4607	OIL SEAL TB 12227	2	
016	668-4608	BALL BEARING 6001 C3	2	
017	668-6721	CRANK CASE GASKET	1	
018	668-4604	GEAR SHAFT SHIM 0.20	V	
018	668-4605	GEAR SHAFT SHIM 0.30	V	
024	668-7375	MAGNETO ROTOR COMP.	1	
025	668-4612	HEX.NUT M8	1	
027	669-5184	SMALL WASHER 8	1	
032	668-4903	HEX.HOLE BOLT M5X16/S	3	
050	668-4647	HEX.HOLE BOLT M5X18/WS	4	
065	668-7022	FAN CASE	1	
068	668-6772	STUD BOLT 6X36	4	
069	668-8057	PRIMARY CORD GROMMET	1	

S32-03 ENGINE-1



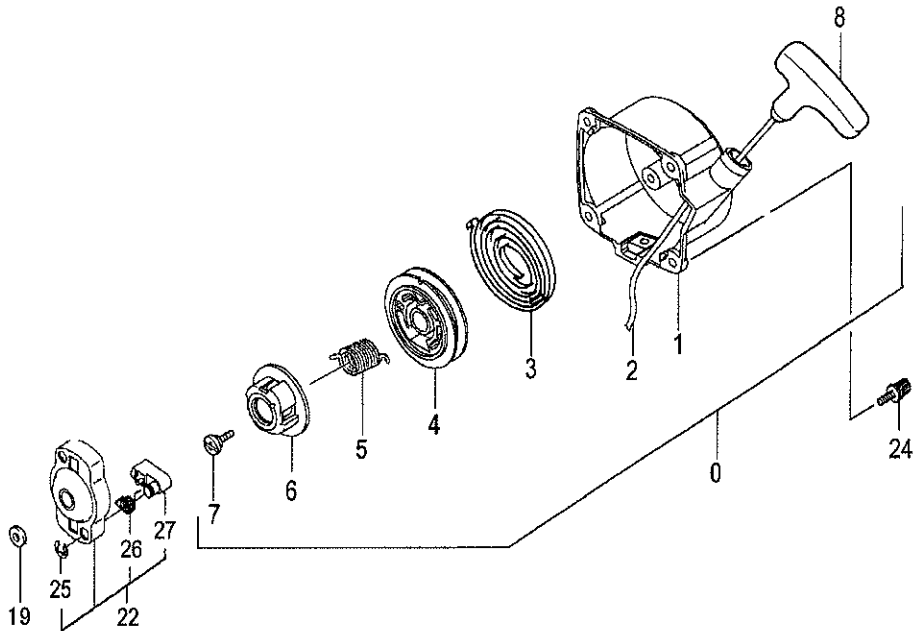
REF. NUMBER	PARTS NUMBER	DESCRIPTION	Q'TY	REMARKS /SERIAL NO.
S32-03 ENGINE-1				
080	668-9864	INLET MANIFOLD GASKET	1	
081	668-9924	CARBURETOR INSULATOR SET, SP	1	
082	669-5514	HEX.HOLE BOLT 5X22/WS	2	
084	669-4055	WIRE RETURN SPRING	1	
085	668-4616	CARBURETOR GASKET	1	
086	669-1278	CHOKE PLATE 1.0	1	
088	669-0120	CLEANER BODY COMP.	1	
089	669-0365	CLEANER SPONGE	1	
090	669-0421	CLEANER COVER ASS'Y	1	
091	669-0384	COVER FIXING BOLT	1	
094	669-5353	SCREW 5X57/S	2	
096	668-4864	SMALL WASHER 5	2	
098	669-0515	CARBURETOR SET WYJ399	1	
099	669-1239	CHOKE CONTROL LEVER	1	
100	669-1588	TANK COMP. WHT	1	
109	669-2244	COLLAR 5.8	3	
110	668-8156	FUEL PIPE GROMMET	1	
111	668-4880	FUEL PIPE 3X5X80	1	
112	668-4620	PUMP FILTER BODY COMP.	1	
113	668-4619	CLIP, 6.3 DIA.	1	
114	668-8169	FUEL PIPE ASS'Y	1	
116	669-5504	HEX.HOLE BOLT 5X16/PS	3	
117	668-5049	TANK CAP ASS'Y	1	
118	669-5280	TAP SCREW 4X14 P	1	
119	668-5070	BOLT WASHER M4	1	
200	668-4625	TANK CAP CHAIN	1	

S32-04 ENGINE-2



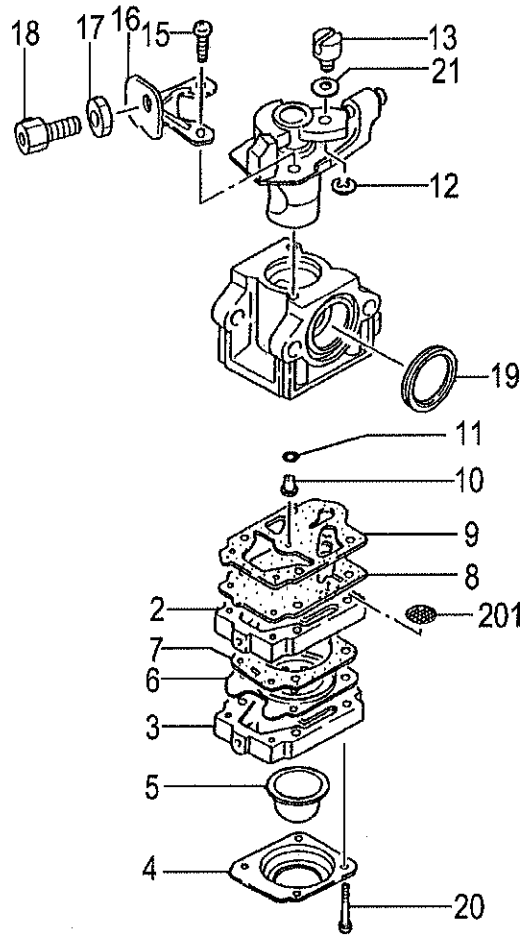
REF. NUMBER	PARTS NUMBER	DESCRIPTION	Q'TY	REMARKS /SERIAL NO.
S32-04 ENGINE-2				
001	669-2804	MUFFLER PROTECTOR	1	
006	669-2497	MUFFLER SET	1	
007	668-4638	HEX. HOLE BOLT M6X55	2	
008	668-4639	WASHER 6	2	
012	668-7260	HEAT SHIELD	1	
027	669-2732	MUFFLER GASKET	1	
035	668-8610	CLUTCH ARM COMP.	2	
036	668-9420	CLUTCH SPRING	1	
037	668-9645	CLUTCH WASHER B	2	
039	669-5203	WAVE WASHER 10	4	
040	668-9628	CLUTCH STEP BOLT	2	
062	668-4682	HEX.HOLE BOLT 4X15/PS	1	
066	668-7478	SPARK PLUG CAP ASS'Y	1	
077	668-7211	DEFLECTOR	1	

S32-05 RECOIL STARTER



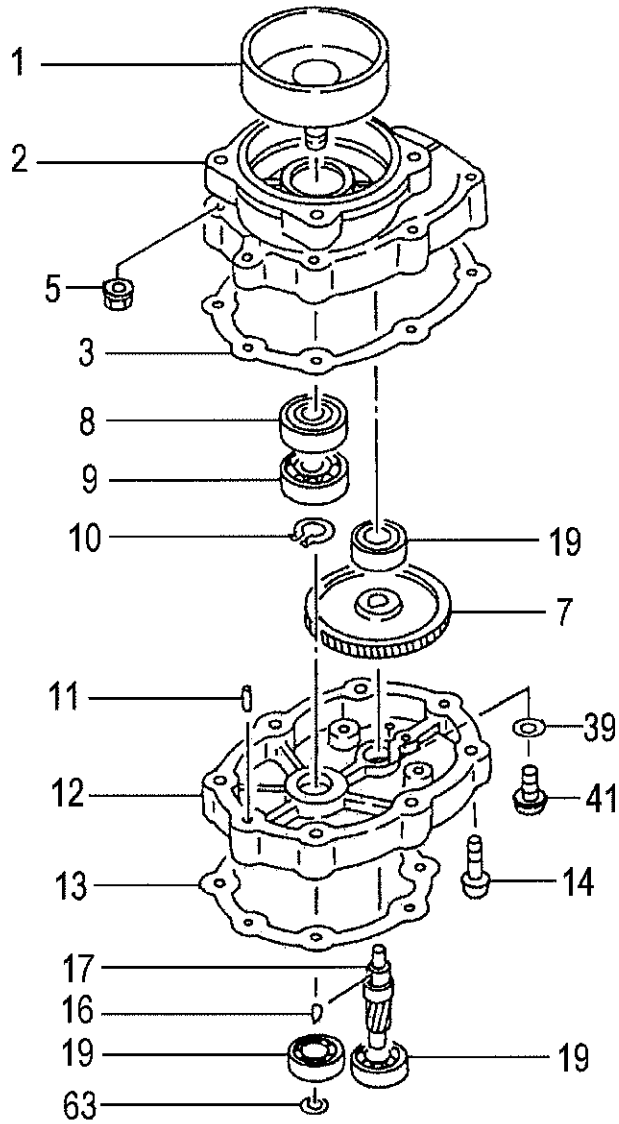
REF. NUMBER	PARTS NUMBER	DESCRIPTION	Q'TY	REMARKS /SERIAL NO.
S32-05 RECOIL STARTER				
000	669-2991	RECOIL STARTER BODY ASS'Y	1	
001	669-3040	RECOIL STARTER BODY COMP.	1	
002	668-4674	STARTER ROPE 3.5X860	1	
003	668-4675	RECOIL SPRING	1	
004	668-4676	STARTER ROPE REEL	1	- EO70000
004	669-3081	STARTER PULLEY	1	EO70001 -
005	669-2935	DAMPER SPRING	1	- EO70000
005	668-4677	DUMPER SPRING	1	EO70001 -
006	668-4678	CAM PLATE	1	- EO70000
006	669-2938	CAM PLATE	1	EO70001 -
007	668-4679	SET SCREW	1	
008	668-4680	STARTER HANDLE	1	
010	669-5503	HEX HOLE BOLT 4X20PS	1	
019	668-9645	CLUTCH WASHER B	1	
022	668-4681	STARTER PULLEY ASS'Y	1	
024	669-5503	HEX HOLE BOLT 4X20PS	4	
025	668-4683	STOP RING E-5	2	
026	668-4684	STARTER PAWL SPRING	2	
027	668-4685	STARTER PAWL	2	

S32-06 CARBURETOR



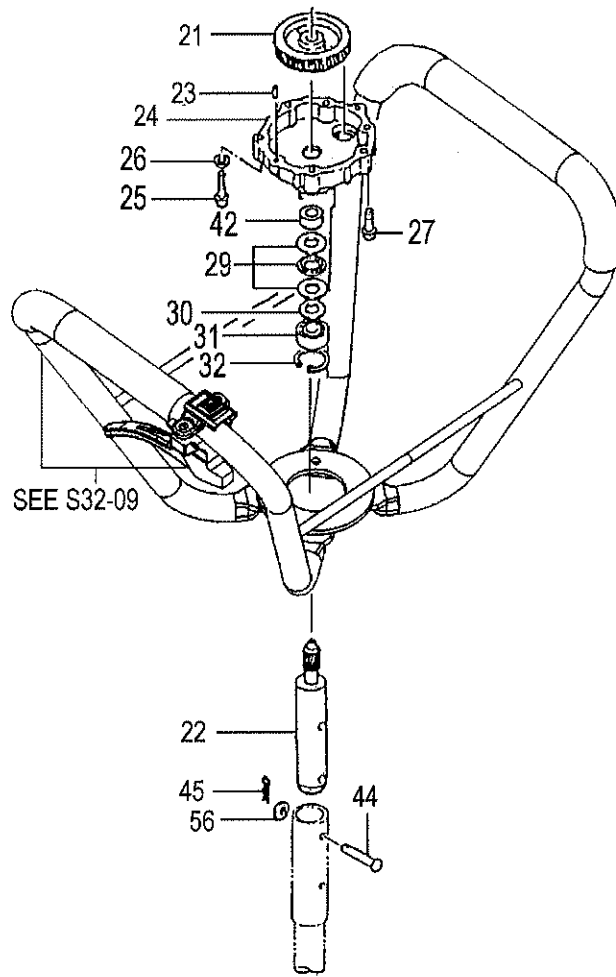
REF. NUMBER	PARTS NUMBER	DESCRIPTION	Q'TY	REMARKS /SERIAL NO.
S32-06 CARBURETOR				
002	668-4879	PUMP BODY COMP.	1	
003	668-4687	PRIMING PUMP COMP.	1	
004	668-4688	DIAPHRAGM COVER	1	
005	668-4689	PRIMING BODY	1	
006	669-0830	METERING DIAPHRAGM COMP.	1	
007	668-4691	DIAPHRAGM GASKET	1	
008	668-4693	PUMP DIAPHRAGM	1	
009	669-1457	PUMP GASKET	1	
010	669-1848	MAIN JET #43	1	
011	668-4695	O-RING	1	
012	668-4696	STOP RING	1	
013	668-4697	SWIVEL	1	
015	668-4870	THROTTLE SET SCREW	2	
016	668-4873	CABLE ADJUSTER STAY	1	
017	669-2005	CABLE ADJUST NUT	1	
018	669-2009	CABLE ADJUSTER	1	
019	668-4875	CLEANER PACKING	1	
020	668-4699	SET SCREW	4	
021	668-4874	THRUST WASHER	1	
201	668-4700	INLET SCREEN	1	

S32-07 GEAR CASE



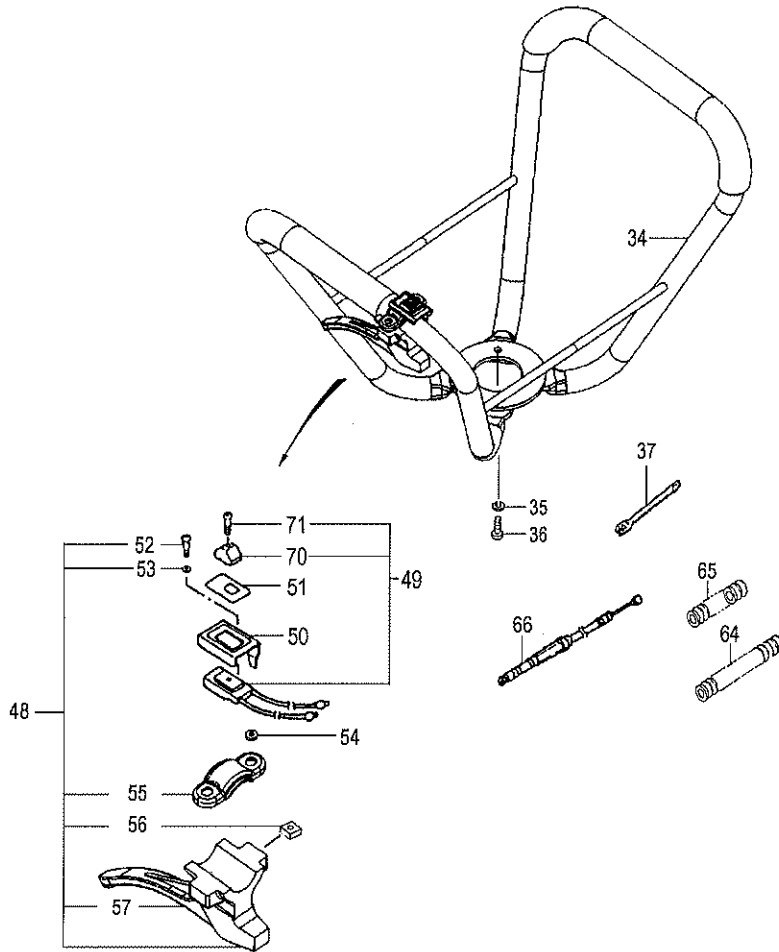
REF. NUMBER	PARTS NUMBER	DESCRIPTION	Q'TY	REMARKS /SERIAL NO.
S32-07 GEAR CASE				
001	668-8203	CLUTCH HOUSING COMP.	1	
002	668-8029	GEAR CASE A	1	
003	668-8059	GEAR CASE GASKET B	1	
005	669-5475	SPRING NUT 6	4	
007	668-8136	GEAR 2	1	
008	669-5559	BALL BEARING #6202Z, 35MM/OD	1	
009	6696523	BALL BEARING #6202 C3	1	
010	669-5285	STOP RING C-15, OUTER	1	
011	669-5521	KNOCK PIN 4X12	2	
012	668-8035	GEAR CASE B	1	
013	668-8063	GEAR CASE GASKET C	1	
014	669-5345	SCREW 5X30/S	2	
016	668-6459	WOOD-RUFF KEY 3X13X5.0	1	
017	668-8162	GEAR 3	1	
019	669-5524	BALL BEARING #6000, 26MM/OD	3	
039	668-4639	WASHER 6	1	
041	669-4923	SCREW 6X8	1	
063	669-5286	STOP RING C-17, OUTER	1	

S32-08 HANDLE



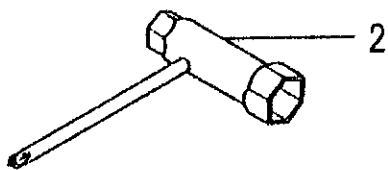
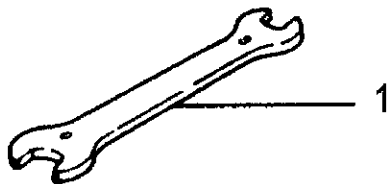
REF. NUMBER	PARTS NUMBER	DESCRIPTION	Q'TY	REMARKS /SERIAL NO.
S32-08 HANDLE				
021	668-8179	GEAR 4	1	
022	668-8189	DRIVE SHAFT	1	
023	669-5521	KNOCK PIN 4X12	2	
024	668-8043	GEAR CASE C	1	
025	669-4910	SCREW 5X50	4	
026	668-4662	S.WASHER 5	4	
027	669-5345	SCREW 5X30/S	2	
029	669-5617	THRUST BEARING 2035	1	
030	668-8223	GEAR SHAFT COLLAR A	1	
031	669-5584	BALL BEARING 6904ZZ C3	1	
032	669-5297	STOP RING C-37, INNER	1	
042	668-8234	GEAR SHAFT COLLAR B	1	
044	669-3553	PIN	2	
045	669-3558	SNAP PIN 8	2	
056	668-4611	WASHER M8	2	

S32-09 HANDLE



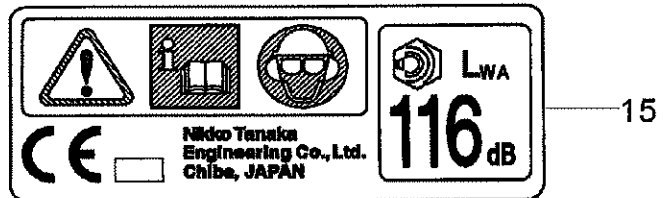
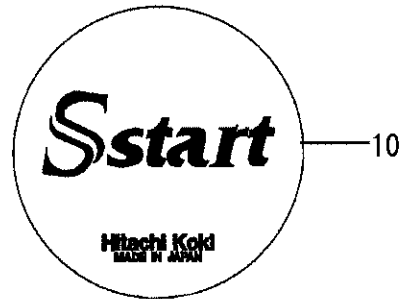
REF. NUMBER	PARTS NUMBER	DESCRIPTION	Q'TY	REMARKS /SERIAL NO.
S32-09 HANDLE				
034	668-6254	HANDLE ASS'Y	1	
035	669-5219	S.WASHER 6	4	
036	669-5020	PLUS BOLT 6X18	4	
037	668-8015	CORD CLAMP	3	
048	669-3695	THROTTLE LEVER ASS'Y	1	
049	668-7434	STOP SWITCH ASS'Y	1	
050	669-2138	STOP BUTTON BRACKET	1	
051	669-4589	STOP BUTTON MARK	1	
052	669-5022	PLUS BOLT 6X30	2	
053	668-4639	WASHER 6	2	
054	668-4822	SPECIAL WASHER B	1	
055	669-3808	THROTTLE LEVER BAND	1	
056	669-6512	SQUARE NUT 6	2	
057	669-3801	THROTTLE ARM	1	
064	668-7577	PROTECTION TUBE 10X420L	1	
065	668-7602	SPLIT PROTECTION TUBE 13X150L	1	
066	669-3926	THROTTLE WIRE COMP.	1	
070	668-8366	BUTTON STOP	1	
071	668-4913	SCREW 3X10	1	

S32-10 TOOLS



REF. NUMBER	PARTS NUMBER	DESCRIPTION	Q'TY	REMARKS /SERIAL NO.
S32-10 TOOLS				
001	669-3479	SPANNER 10X13	1	
002	668-5997	COMBI. BOX SPANNER 10X19 ,PLUS	1	

S32-11 LABELS



REF. NUMBER	PARTS NUMBER	DESCRIPTION	Q'TY	REMARKS /SERIAL NO.
	S32-11 LABELS			
001	669-4657	SYMBOL MARK DA200E(S)	1	
010	669-4474	STARTER MARK S.START	1	
015	669-4528	CAUTION MARK A	1	