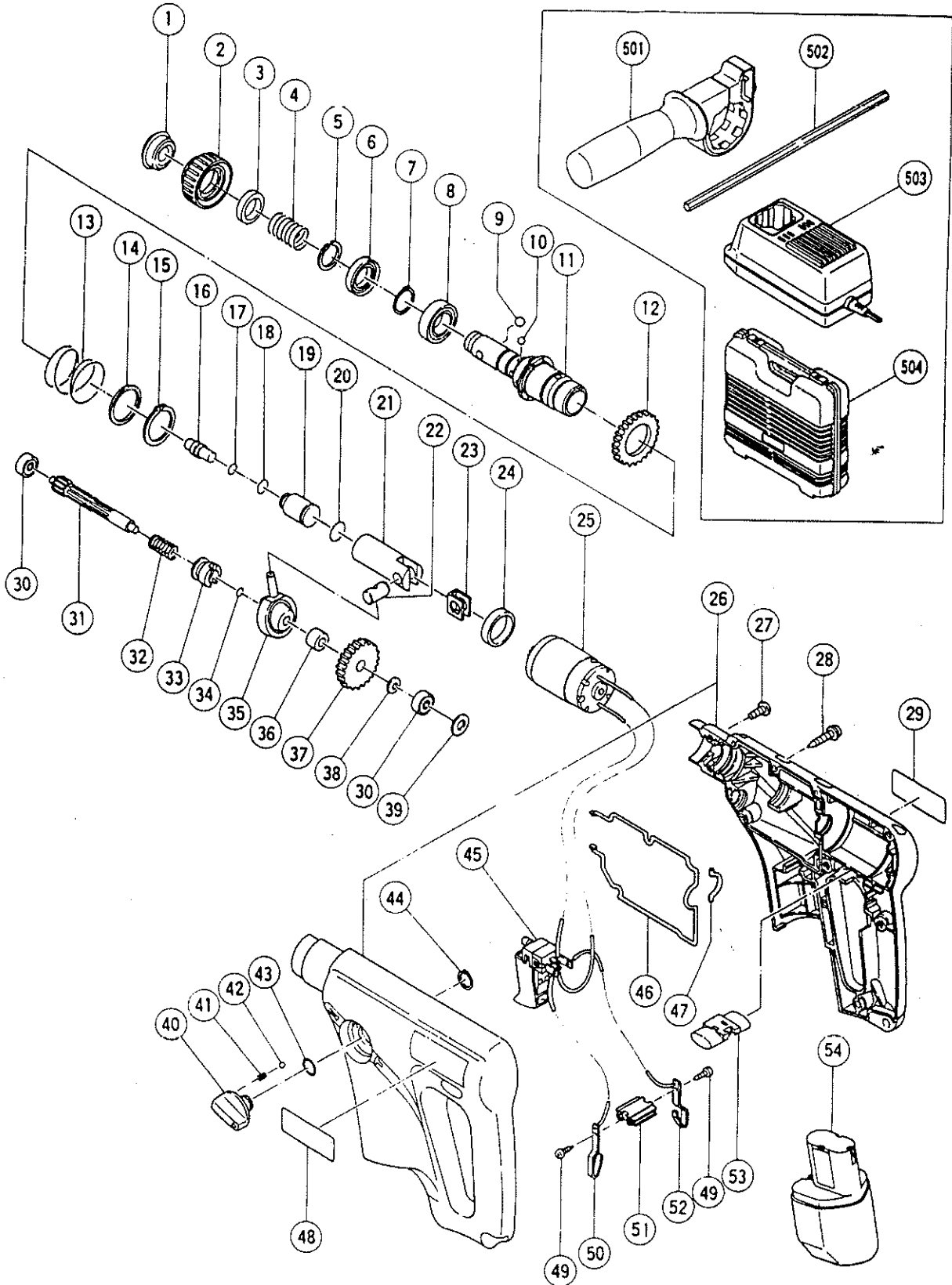


ELECTRIC TOOL PARTS LIST

■ CORDLESS HAMMER DRILL
Model DH 15D2

1993 · 1 · 30
(E1)



PARTS

DH15D2

ITEM NO.	CODE NO.	DESCRIPTION	NO. USED	REMARKS
1	306-345	FRONT CAP	1	
2	306-892	GRIP	1	
3	306-343	BALL HOLDER	1	
4	306-342	HOLDER SPRING	1	
5	306-993	RETAINING RING	1	
6	301-683	OIL SEAL	1	
7	939-547	RETAINING RING FOR D20 SHAFT (10 PCS.)	1	
8	690-4CM	BALL BEARING 6904CM	1	
9	959-151	STEEL BALL D7.14 (10 PCS.)	2	
10	959-154	STEEL BALL D5.558 (10 PCS.)	4	
11	306-987	CYLINDER	1	
12	303-974	SECOND GEAR	1	
13	303-975	SPRING (A)	1	
14	301-679	WASHER (A)	1	
15	948-310	RETAINING RING FOR D30 SHAFT	1	
16	301-671	SECOND HAMMER	1	
17	301-672	O - RING (B)	1	
18	303-972	O - RING (D)	1	
19	301-669	STRIKER	1	
20	303-973	O - RING	1	
21	301-668	PISTON	1	
22	301-666	PISTON PIN	1	
23	303-977	WASHER (C)	1	
24	303-976	METAL	1	
25	303-987	MOTOR ASS'Y	1	INCLUD.50,52
26	306-997	HOUSING (A).(B) SET	1	
27	303-970	TAPPING SCREW (CLASS 2) D4X14	2	
28	301-653	TAPPING SCREW (W/FLANGE) D4X20	9	
29		NAME PLATE	1	
30	626-VVM	BALL BEARING 626VVMC2ERPS2S	2	
31	306-989	SECOND PINION	1	
32	303-978	CLUTCH SPRING	1	
33	301-661	CLUTCH	1	
34	992-912	O - RING (S - 8)	1	
35	306-990	RECIPROCATING BEARING	1	
36	303-980	COLLAR	1	
37	306-991	FIRST GEAR	1	
38	995-634	WASHER (B) D12.5	1	
39	948-213	WASHER (B) D19	1	
40	303-971	CHANGE LEVER	1	
41	981-328	SPRING (H)	1	
42	959-155	STEEL BALL D3.97 (10 PCS.)	1	
43	876-319	O - RING (S - 14)	1	
44	939-543	RETAINING RING FOR D14 SHAFT (10 PCS.)	1	
45	303-988	SWITCH (IP SOLDER TYPE) W/O LOCK	1	
46	303-983	RUBBER SEAL (A)	1	
47	303-984	RUBBER SEAL (B)	1	
48		HITACHI LABEL	1	
49	958-715	TAPPING SCREW D4X10	2	
50	303-989	TERMINAL	1	
51	306-996	TERMINAL PIECE	1	

*: ALTERNATIVE PARTS

PARTS

DH15D2

ITEM NO.	CODE NO.	DESCRIPTION	NO. USED	REMARKS
52	303-990	TERMINAL	1	
53	303-969	PUSHING BUTTON	1	
54	300-002	BATTERY EB 12 (W/ENGLISH N.P.)	1	
54	302-758	BATTERY EB 12 (W/ENGLISH N.P.)	1	FOR HOLDEN,SUI,SWE,NOR
54	300-001	BATTERY EB 12 (W/GERMAN N.P.)	1	FOR AUT
54	300-003	BATTERY EB 12 (W/FRENCH N.P.)	1	FOR FRA
54	302-973	BATTERY EB 12 (W/GERMAN N.P.)	1	FOR BEL
54	300-004	BATTERY EB 12 (W/ENGLISH N.P.)	1	FOR USA,CAN

STANDARD ACCESSORIES

ITEM NO.	CODE NO.	DESCRIPTION	NO. USED	REMARKS
501	303-659	SIDE HANDLE	1	
502	303-709	DEPTH GAUGE	1	
503		CHARGER (MODEL UC 12Y)	1	
504	303-993	CASE	1	

* : ALTERNATIVE PARTS

OPTIONAL ACCESSORIES

DH15D2

ITEM NO.	CODE NO.	DESCRIPTION	NO. USED	REMARKS
601	303-617	TAPER SHANK ADAPTER (SDS PLUS) NO.1	1	
602	944-460	TAPER SHANK DRILL BIT D11X100	1	
603	944-461	TAPER SHANK DRILL BIT D12.3X110	1	
604	993-038	TAPER SHANK DRILL BIT D12.7X110	1	
605	944-462	TAPER SHANK DRILL BIT D14.3X110	1	
606	944-500	TAPER SHANK DRILL BIT D14.5X110	1	
607	944-477	COTTER	1	
608	303-619	TAPER ADAPTER A (SDS PLUS)	1	FOR A - TAPER DRILL BIT ON THE MARKET
609	303-620	TAPER ADAPTER B (SDS PLUS)	1	FOR B - TAPER DRILL BIT ON THE MARKET
610	303-332	HAMMER DRILL CHUCK SET 13MM	1	INCLUD.611,612
611	303-334	CHUCK HANDLE	1	
612	303-335	RUBBER CAP	1	
613	302-976	ANCHOR SETTING ADAPTER A (SDS) W1/4X260L	1	
614	302-975	ANCHOR SETTING ADAPTER A (SDS) W5/16X260	1	
615	303-621	ANCHOR SETTING ADAPTER A (SDS) W3/8X160L	1	
616	302-974	ANCHOR SETTING ADAPTER A (SDS) W3/8X260L	1	
617	302-979	ANCHOR SETTING ADAPTER B (SDS) W1/4X260L	1	
618	302-978	ANCHOR SETTING ADAPTER B (SDS) W5/16X260	1	
619	303-622	ANCHOR SETTING ADAPTER B (SDS) W3/8X160L	1	
620	302-977	ANCHOR SETTING ADAPTER B (SDS) W3/8X260L	1	
621	971-794	ANCHOR SETTING ADAPTER A W1/4" (MANUAL)	1	
622	971-795	ANCHOR SETTING ADAPTER A W5/16" (MANUAL)	1	
623	971-796	ANCHOR SETTING ADAPTER A W3/8" (MANUAL)	1	
624	971-797	ANCHOR SETTING ADAPTER A W1/2" (MANUAL)	1	
625	971-798	ANCHOR SETTING ADAPTER A W5/8" (MANUAL)	1	
626	971-799	ANCHOR SETTING ADAPTER B W1/4" (MANUAL)	1	
627	971-800	ANCHOR SETTING ADAPTER B W5/16" (MANUAL)	1	
628	971-801	ANCHOR SETTING ADAPTER B W3/8" (MANUAL)	1	
629	971-802	ANCHOR SETTING ADAPTER B W1/2" (MANUAL)	1	
630	971-803	ANCHOR SETTING ADAPTER B W5/8" (MANUAL)	1	
631	303-620	DRILL CHUCK ADAPTER SET (SDS PLUS)	1	INCLUD.632-635 FOR DRILL CHACK 13VLR
632	950-275	DRILL CHUCK 13VLR	1	INCLUD.633
633	930-515	CHUCK WRENCH 10G	1	
634	981-122	SPECIAL SCREW M6X22	1	
635	303-623	CHUCK ADAPTER (SDS PLUS)	1	FOR DRILL CHUCK 13VLR
636	950-272	DRILL CHUCK 13VLA	1	INCLUD.637
637	930-515	CHUCK WRENCH 10G	1	
638	303-624	CHUCK ADAPTER (SDS PLUS)	1	FOR DRILL CHUCK 13VLA
639	971-511Z	+ DRIVER BIT (A) NO.2 25L	1	
640	971-512Z	+ DRIVER BIT (A) NO.3 25L	1	
641	306-885	DUST COLLECTOR (B) ASS'Y	1	INCLUD.642
642	306-910	SOCKET ADAPTOR (B)	1	
643	971-787	DUST CUP	1	
644	930-036	GREASE (JF - 375) (50G)	1	
645	306-927	SILICON RUBBER	1	

*: ALTERNATIVE PARTS