

MODEL

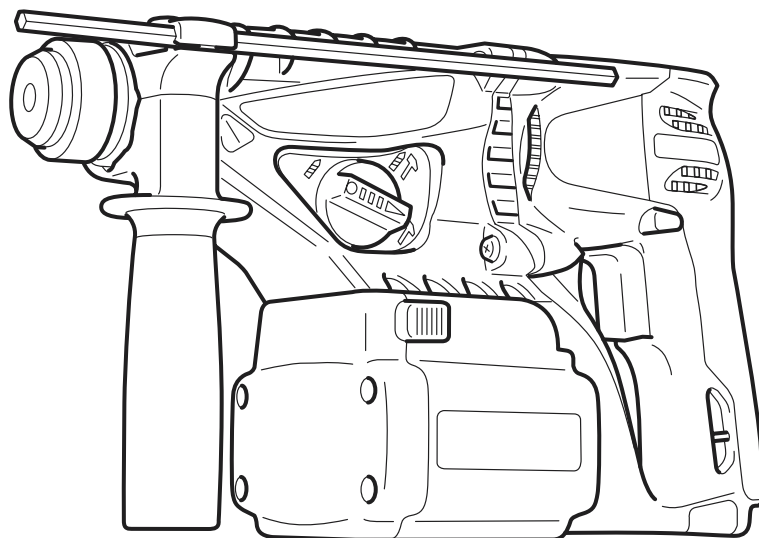
DH 24DVA

Hitachi
Power Tools

CORDLESS ROTARY HAMMER
DH 24DVA

TECHNICAL DATA
AND
SERVICE MANUAL

D



LIST No. G842

Mar. 2006

SPECIFICATIONS AND PARTS ARE SUBJECT TO CHANGE FOR IMPROVEMENT

REMARK:

Throughout this TECHNICAL DATA AND SERVICE MANUAL, a symbol(s) is(are) used in the place of company name(s) and model name(s) of our competitor(s). The symbol(s) utilized here is(are) as follows:

Symbols Utilized	Competitors	
	Company Name	Model Name
P	DEWALT	DW005K
C	MAKITA	BHR200



CONTENTS

	Page
1. PRODUCT NAME	1
2. MARKETING OBJECTIVE	1
3. APPLICATIONS	1
4. SELLING POINTS	2
4-1. Selling Point Descriptions	2
5. SPECIFICATIONS	4
5-1. Specifications	4
5-2. Optional Accessories	6
6. COMPARISONS WITH SIMILAR PRODUCTS	11
6-1. Specification Comparisons	11
6-2. Drilling Speed Comparisons	12
6-3. Chiseling Performance Comparison	13
6-4. Per Charge Working Capacity Comparisons	14
7. PRECAUTIONS IN SALES PROMOTION	15
7-1. Handling Instructions	15
7-2. Caution Plates	17
7-3. Precautions Requiring Particular Attention During Sales Promotion	18
8. REFERENCE MATERIAL	19
8-1. Lubrication	19
8-2. Tool Structure	19
8-3. "Three-Mode" Changeover Mechanism	23
8-4. "Rotation Only" (No Hammering)	25
8-5. Drill Bits	26
8-6. Tool Retainer Section	27
8-7. Dust Collector (B)	28
9. PRECAUTIONS IN DISASSEMBLY AND REASSEMBLY	29
9-1. Disassembly	29
9-2. Reassembly	32
9-3. Precautions on Disassembly and Reassembly of the Charger	35
10. STANDARD REPAIR TIME (UNIT) SCHEDULES	36
Assembly Diagram for DH 24DVA	

1. PRODUCT NAME

Hitachi Cordless Rotary Hammer, Model DH 24DVA

2. MARKETING OBJECTIVE

The new Model DH 24DVA is a 3-mode type cordless rotary hammer based on the current Model DH 24DV. It features not only "rotation + hammering" mode and "rotation only" mode but also "hammering only" mode for chiseling and groove digging. The Model DH 24DVA has the same cylindrical gear cover as that of the current Model DH 24DV because its toughness is well reputed. The applicable batteries are the Type EB 2420 and EB 2433X, and the applicable charger is the Model UC 24YFB. The main components of the hammering mechanism are common with the Model DH 24PC3 and the power supply unit including the motor is common with the Model DH 24DV. Our rotary hammer lineup is reinforced with the new Model DH 24DVA aiming for increase of our market share.

3. APPLICATIONS

(1) Rotation and hammering function

- Drilling anchor holes
- Drilling holes in concrete, tile, brick and similar materials

(2) Rotation only function

- Drilling holes in steel and wood (with chuck adapter)
- Tightening and loosening machine screws and wood screws (with chuck adapter)

(3) Hammering only function

- Light-duty chiselling of concrete
- Groove digging and edging

[Typical applications]

- Air conditioning Installation of air conditioners, water coolers and heaters, and air ducts
- Piping and plumbing Installation of gas, water, and sanitary facilities
- Electrical work Installation of light fixtures and various electric appliances
- Interior decoration Installation of seating, display stands and partitions
- Other civil engineering, construction and repair work

4. SELLING POINTS

Fastest drilling speed in the 24-V class

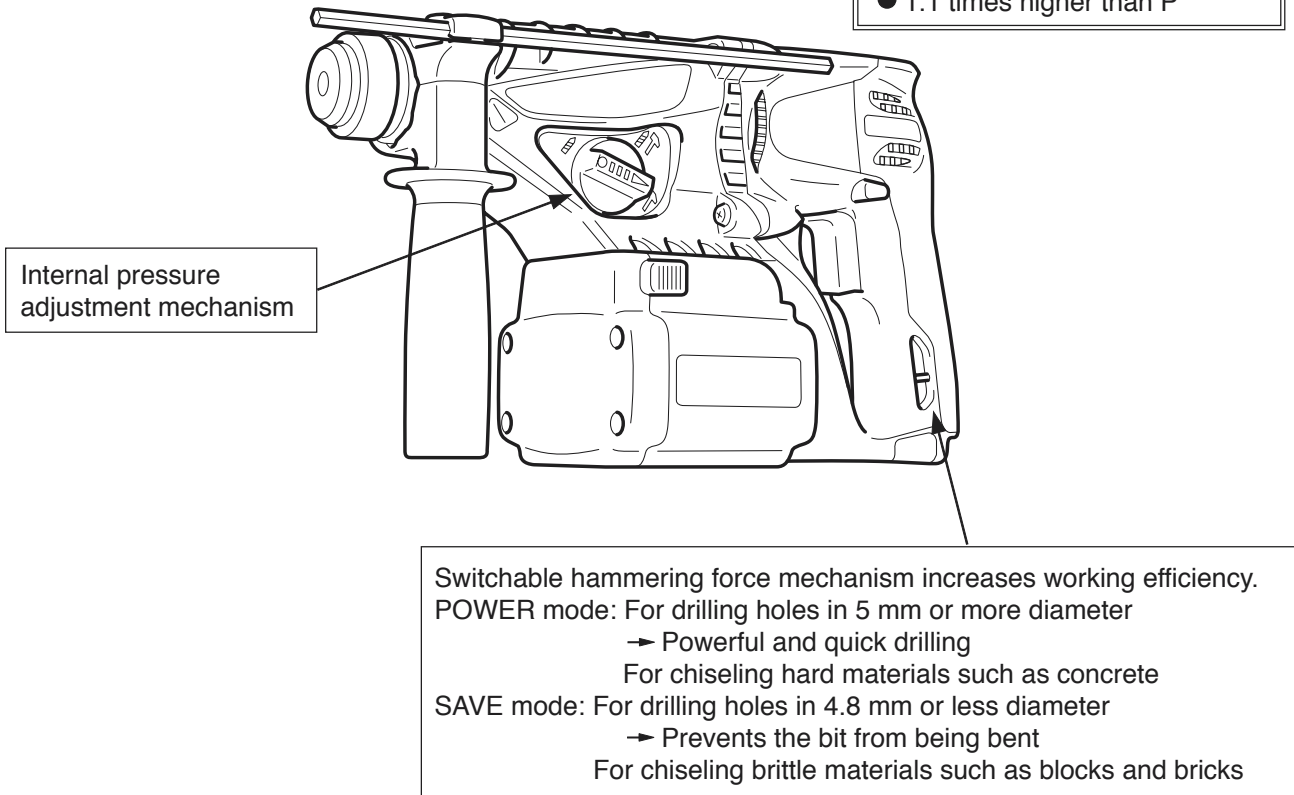
- Equivalent to the Model DH 24DV
- 1.4 times faster than P and C

Selectable from 3 modes

- "Hammering only" mode is available.
(Model DH 24DV: 2-mode type)

Greatest demolishing performance in the 24-V class

- 1.4 times higher than C
- 1.1 times higher than P



4-1. Selling Point Descriptions

4-1-1. Selectable from 3 modes, "rotation + hammering", "rotation only" and "hammering only"

The new Model DH 24DVA is a 3-mode type cordless rotary hammer based on the Model DH 24DV cordless rotary hammer drill (2-mode type). It features the "hammering only" mode in addition to the "rotation + hammering" mode and the "rotation only" mode. The "hammering only" mode is available not only for light-duty chipping by means of bull points but also for groove digging and edging by means of cold chisels and cutters for various applications.

4-1-2. Fastest drilling speed in the 24-V class

The drilling speed of the Model DH 24DVA is equivalent to the Model DH 24DV and 1.4 times higher than C and 1.1 times higher than P thanks to the efficient transmission of the hammering energy. For detail, refer to "6-2. Drilling Speed Comparisons" on page 12.

4-1-3. Greatest demolishing performance in the 24-V class




The demolishing performance of the Model DH 24DVA is 1.4 times higher than C and 1.1 times higher than P thanks to the efficient transmission of the hammering energy.


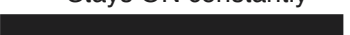



4-1-4. Internal pressure adjustment mechanism

By minimizing variations in the internal pressure during operation, hammering operation is stabilized. In addition, idling and grease leakage can be prevented.

4-1-5. Switchable hammering force mechanism increases working efficiency

The Model DH 24DVA is equipped with the same mechanism as the Model DH 24DV to switch the hammering force between "POWER" mode and "SAVE" mode for proper adjustment of the hammering force.

Change lever Shift knob	"Rotation + hammering" 	"Rotation only" 	"Hammering only" 
"POWER" mode (Powerful hammering force)	<Drilling holes in concrete> Suitable for drilling holes in 5 mm or more diameter with high motor power (speedy and efficient drilling)	<Drilling holes in steel and wood> Suitable for drilling holes in steel and wood speedily with high motor power	<Demolishing concrete> Suitable for demolishing hard materials such as concrete with high motor power
"SAVE" mode (Suppressed hammering force)	<Drilling holes in concrete> Suitable for drilling holes in 4.8 mm or less diameter with suppressed motor power (preventing the bit from being bent)	<Nonusable> Do not use the Model DH 24DVA for high-load operation in this mode because the motor power is suppressed. (Otherwise, the motor may be burnt out.)	<Demolishing blocks> Suitable for demolishing brittle materials such as blocks and bricks with suppressed motor power

Pilot lamp indications (UC 24YFB)				
Red pilot lamp remains lit or flashes.	Prior to charging	Blinks	0.5 sec. ON, 0.5 sec. OFF 	
	During charging	Lit	Stays ON constantly 	
	Charging completed	Blinks	0.5 sec. ON, 0.5 sec. OFF 	
	Charging not possible	Flickers	0.1 sec. ON, 0.1 sec. OFF 	Storage battery or charger is faulty.
Green pilot lamp is lit.	High battery temperature	Lit	Stays ON constantly 	Charging not possible because storage battery temperature is too high.
Standard accessories	Charger (depending on order specifications) 1 unit			
	Side handle 1 pc.			
	Plastic case 1 pc.			
	Depth gauge 1 pc.			

5-2. Optional Accessories

A. Drilling anchor holes (rotation + striking)

- Drill bit (slender shaft)



(1) Drill bit (slender shaft)

(2) Adapter for slender shaft
(SDS-plus shank)

Drill bit (slender shaft)				Adapter for slender shaft
Outer dia. (mm)	Effective length (mm)	Overall length (mm)	Code No.	Code No.
3.4 (1/8")	45 (1-25/32")	90 (3-17/32")	306369	306370
3.5 (9/64")	45 (1-25/32")	90 (3-17/32")	306368	

- Drill bit (taper shank)



(1) Drill bit (taper shank)

(2) Taper shank adapter
(SDS-plus shank)

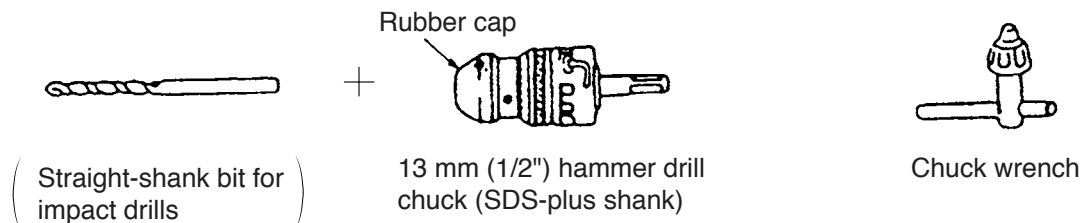
(3) Cotter

(1) Drill bit (taper shank)		(2) Taper shank adapter		(3) Cotter
Outer dia. (mm)	Code No.	Type	Code No.	Code No.
11 (7/16")	944460	Morse taper No. 1	303617	944477
12.3 (31/64")	944461			
12.7 (1/2")	993038			
14.3 (9/16")	944462			
14.5 (73/128")	944500			
17.5 (11/16")	944463			
21.5 (27/32")	944464	Morse taper No. 2	303618	

Part name	Code No.	Taper-shank adapter (A-taper or B-taper) is provided as an optional accessory, but drill bit is not provided.
A-taper	303619	
B-taper	303620	

- 13 mm hammer drill chuck

For drilling operations when using a straight shank bit for impact drilling with a hammer drill



(Straight-shank bit for
impact drills)

Rubber cap
13 mm (1/2") hammer drill
chuck (SDS-plus shank)

Chuck wrench

Part name	Code No.
13 mm (1/2") hammer drill chuck (including chuck wrench)	303332
Chuck wrench	303334
Rubber cap	303335

B. Anchor setting

- Anchor setting bar to permit anchor setting operation with the hammer drill

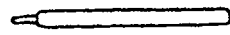
Anchor setting bar



Anchor setting adapter (SDS-plus shank)

Part name	Overall length	Code No.	Part name	Overall length	Code No.
W-1/4 Anchor setting adapter-A	260	302976	W-1/4 Anchor setting adapter-B	260	302979
W-5/16 Anchor setting adapter-A	260	302975	W-5/16 Anchor setting adapter-B	260	302978
W-3/8 Anchor setting adapter-A	160	303621	W-3/8 Anchor setting adapter-B	160	303622
W-3/8 Anchor setting adapter-A	260	302974	W-3/8 Anchor setting adapter-B	260	302977
Internal cone type			External cone type		

- Anchor setting bar for manual anchor setting



Anchor setting adapter



Part name	Code No.	Part name	Code No.
W-1/4 Anchor setting adapter-A	971794	W-1/4 Anchor setting adapter-B	971799
W-5/16 Anchor setting adapter-A	971795	W-5/16 Anchor setting adapter-B	971800
W-3/8 Anchor setting adapter-A	971796	W-3/8 Anchor setting adapter-B	971801
W-1/2 Anchor setting adapter-A	971797	W-1/2 Anchor setting adapter-B	971802
W-5/8 Anchor setting adapter-A	971798	W-5/8 Anchor setting adapter-B	971803
Internal cone type		External cone type	

C. Bolt placing operations with chemical anchor (rotation + hammering)

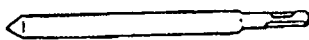


(Standard sockets available on the market)

12.7 mm (1/2") Chemical anchor adapter (SDS-plus shank)
19 mm (3/4") Chemical anchor adapter (SDS-plus shank)

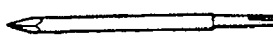
Part name	Code No.
12.7 mm (1/2") Chemical anchor adapter	303044
19 mm (3/4") Chemical anchor adapter	303045

D. Crushing operations (hammering only)



Bull point (round type)
(SDS-plus shank)

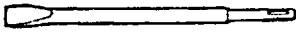
Code No. 303046



Square bull point
(SDS-plus shank)

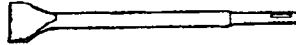
Code No. 316656

E. Groove digging and edging (hammering only)



Cold chisel
(SDS-plus chank)

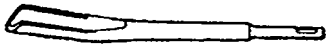
Code No. 316657



Cutter
(SDS-plus shank)

Code No. 316658

F. Grooving (hammering only)



Grooving chisel
(SDS-plus shank)

Code No. 316659

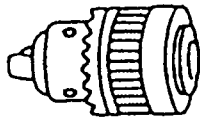
G. Drilling holes and driving screws (rotation only)

- Drill chuck, chuck adapter (G), special screw and chuck wrench



Special screw

+

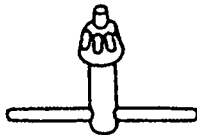


13 mm (1/2") Drill chuck
(13VLRB-D)

+



Chuck adapter (G)
(SDS-plus shank)



Chuck wrench

(Note)

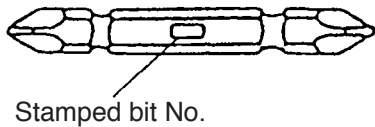
If the tool is to be used for loosening screws, open the three jaws of the drill chuck and securely fix the drill chuck to chuck adapter (G) with the special screw (a left-hand threaded M6 screw) when mounting the drill chuck onto chuck adapter (G).

	Part name	Code No.
	Drill chuck and adapter set (SDS-plus) (including a-c)	321825
a.	Chuck adapter (G) for SDS-plus shank system	303623
b.	13 mm (1/2") Drill chuck 13VLRB-D (with chuck wrench)	321814
c.	Special screw (M6 left-hand threaded)	981122

(1) Cross-recessed head (Phillips) bit

[Overall length: 65 mm]

(For use with cross-recessed head (Phillips) screw)

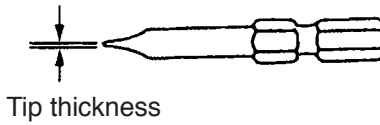


Bit No.	Code No.	Applicable screw dia. (mm)
No. 2	955654	3 – 5
No. 3	955655	6 – 8

(2) Slotted-head (minus) bit

[Overall length: 50 mm]

(For use with slotted-head (minus) screw)



Bit tip thickness	Code No.	Applicable screw dia. (mm)
0.8	955658	4
1	955673	5 – 6

H. Drilling hole (rotation only) ... For drilling holes in steel and wood

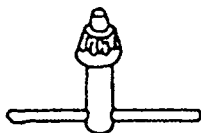


Drill chuck (13VLD-D)

+



Chuck adapter (D)
(SDS-plus shank)



Chuck wrench

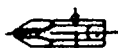
(NOTE)

The 13VLD-D drill chuck and chuck adapter (D) cannot be used for reverse rotation. If reverse rotation is to be used for loosening screws, use the cross-recessed head (Phillips) bit (bit No. 2), described below, by attaching it directly to chuck adapter (D).

Part name	Code No.
Chuck adapter (D) (for SDS-plus shank type)	303624
13 mm (1/2") Drill chuck 13VLD-D (with chuck wrench)	321813

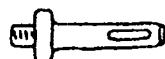
I. Driving screws (rotation only)

- Phillips (plus) driver bit [overall length: 25 mm] (for cross-recessed head screw)



Bit No.

+



Chuck adapter (D)
(SDS-plus shank)

Bit No.	Screw size	Code No.
No. 2	3 – 5 mm	971511Z
No. 3	6 – 8 mm	971512Z

J. Grease for electric impact drill

- Containing 500 g (1.1 lbs.): Code No. 980927



- Containing 30 g (0.07 lbs.): Code No. 981840
- 70 g (0.15 lbs.): Code No. 308471



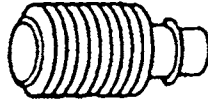
K. Dust cup, dust collector (B)

Dust cup



Code No. 971787

Dust collector (B) ass'y



Code No. 306885

6. COMPARISONS WITH SIMILAR PRODUCTS

6-1. Specification Comparisons

Maker			HITACHI		P	C
Model			DH 24DVA	DH 24DV		
Capacity	Concrete	mm	24 (15/16")	24 (15/16")	20 (25/32")	20 (25/32")
	Steel	mm	13 (1/2")	13 (1/2")	13 (1/2")	13 (1/2")
	Wood	mm	30 (1-3/16")	30 (1-3/16")	30 (1-3/16")	27 (1-1/16")
No-load rotation speed		/min	0 – 1,050	0 – 1,000	0 – 1,100	0 – 1,100
Full-load blow		/min	0 – 4,500	0 – 4,500	0 – 4,200	0 – 4,700
Changeover of impact energy			○	○	×	×
Bit setting			Single action	Single action	Single action	Single action
Hammering only function			○	×	○	○
Soft grip handle			○	○	○	○
Safety slip clutch			○	○	○	○
Externally accessible CB			○	○	×	○
Variable speed			○	○	○	○
Brake			○	○	○	○
Battery	Type		Nicd/NiMH	Nicd/NiMH	Nicd	NiMH
	Capacity	Ah	2.0/3.3	2.0/3.0/3.3	2.0	3.0
	Voltage	V	24	24	24	24
	Charging time	min	50/75	50/70/75	60	40
Dimension	Length	mm	322	322	346	316
	Height	mm	186	186	215	235
Weight		kg	4.1	4.0	4.2	4.0

Note 1) Mark "○": Equipped, Mark "×": Not equipped

2) Weight excludes battery and side handle.

6-2. Drilling Speed Comparisons

Drilling speed depends on the operating conditions. The test results shown in Fig. 1 is based on actual factory tests, and is used as a reference only. Figure 1 shows the drilling speed comparisons for downward drilling. The drill bits used are the Hitachi genuine SDS-plus shank bits.

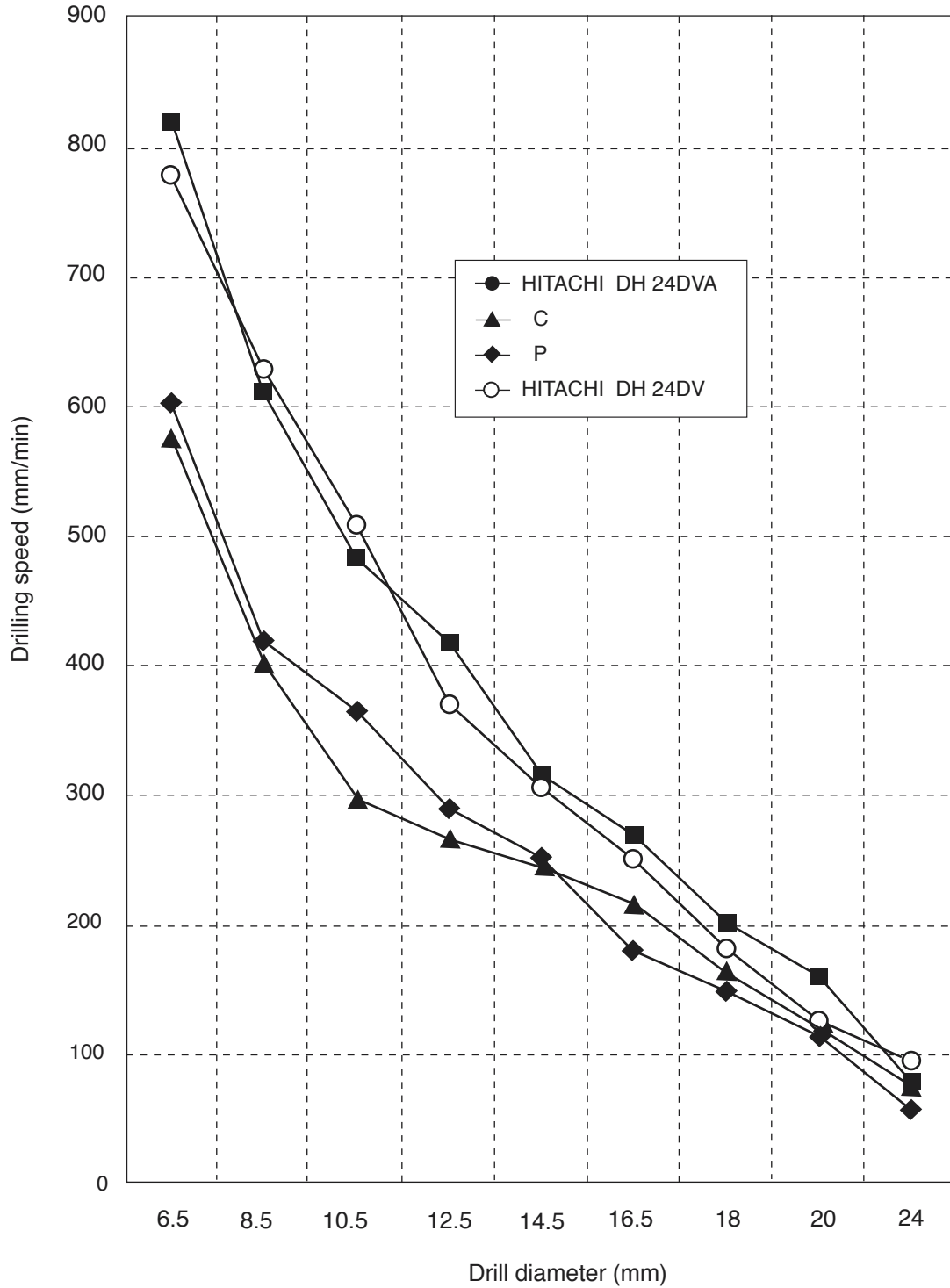


Fig. 1 Drilling speed comparisons (downward drilling)

6-3. Chiseling Performance Comparison

Chiseling performance varies considerably depending on the work conditions. Use the factory test results shown in Fig. 2 for comparison purposes only.

Maker	Model	Chiseling amount (kg/5 minutes)				
		1	2	3	4	5
HITACHI	DH 24DVA					
	C					
	P					

Fig. 2 Chiseling performance comparison

7. PRECAUTIONS IN SALES PROMOTION

In the interest of promoting the safest and most efficient use of the Model DH 24DVA Cordless Rotary Hammer by all of our customers, it is very important that at the time of sale the salesperson carefully ensures that the buyer seriously recognizes the importance of the contents of the Handling Instructions, and fully understands the meaning of the precautions listed on the Caution Plate and Name Plate attached to each tool.

7-1. Handling Instructions

Salespersons must thoroughly be familiar with the contents of the Handling Instructions in order to give pertinent advice to the customer. In particular, they must have a thorough understanding of the precautions in the use of the cordless (battery charger type) electric power tool which are different from those of ordinary electric power tools.

(1) Before use, ensure that the unit is fully charged.

New units are not fully charged. Even if the units were fully charged at the factory, long periods out of use, such as during shipping, cause the storage battery to lose its charge.

Customers must be instructed to fully charge the unit prior to use.

(2) When charging storage batteries, use only the exclusive Model UC 24YFB charger provided with the tool.

Because of the batteries' rapid-charging feature (about one hour), use of other battery chargers is hazardous.

(3) Connect the charger to an AC power outlet only.

Use of any other power source (DC outlet, fuel powered generator, etc.) will cause the charger to overheat and burnout.

(4) Do not use any voltage-increasing equipment (transformer etc.) between the power source and the charger.

If the charger is used with voltage over and above that indicated on the unit, it will not function properly.

(5) Conduct battery charging at an ambient temperature range of 0°C – 40°C (32°F – 104°F).

Special temperature sensitive devices are employed in the charger to permit rapid charging. Ensure that customers are instructed to use the charger at the indicated ambient temperature range. At temperature under 0°C (32°F), the thermostat will not function properly, and the storage battery may be over-charged.

At temperatures over 40°C (104°F), the storage battery cannot be sufficiently charged. The optimum temperature range is 20°C – 25°C (68°F – 77°F).

(6) The battery charger should not be used continuously.

At high ambient temperature, if more than three storage batteries are charged in succession, the temperature of the coils on the transformer will rise and there is a chance that the temperature fuse inserted in the interior of the transformer will inadvertently melt. After charging one battery, please charge the next battery after about a fifteen-minute interval.

(7) Do not use more than two batteries in succession.

If three or more batteries are used in rapid succession, the main body may become overheated, causing possible motor or switch malfunction. After two batteries have been used, stop operation for about 15 minutes to allow the main body to cool.

(8) Do not insert foreign objects into the air vents on the charger.

The charger case is equipped with air vents to protect the internal electronic components from overheating. Caution the customer not to allow foreign materials, such as metallic or inflammable objects, to be dropped or inserted into the air vents. This could cause electrical shock, fire or other serious hazards.

(9) Do not attempt to disassemble the storage battery or the charger.

Special devices, such as a thermal protector are built into the storage battery and charger to permit rapid charging. Incorrect parts replacement and/or wiring will cause malfunctions which could result in fire or other hazard. Instruct the customer to bring these units to an authorized service center in the event repair or replacement is necessary.

(10) Disposal of the Models EB 2420, EB 2430H and EB 2433X batteries

Ensure that all customers understand that the Models EB 2420, EB 2430H and EB 2433X batteries should be turned in to a Hitachi Power Tool sales outlet or authorized service center when they are no longer capable of being recharged or repaired. If thrown into a fire, the batteries may explode, or, if discarded indiscriminately, leakage of the cadmium compound contained in the battery may cause environmental pollution.

7-2. Caution Plates

(1) The following basic safety precautions are listed on the Name Plate attached to the main body of each tool.

- For Australia and New Zealand

CAUTION

- Read thoroughly HANDLING INSTRUCTIONS before use.

- For the U. S. A. and Canada

WARNING

- To reduce the risk of injury, user must read and understand instruction manual.

AVERTISSEMENT

- Afin de réduire le risque de blessures, l'utilisateur doit lire et bien comprendre le mode d'emploi.

(2) The following cautions are listed on the Name Plate attached to each of the Models EB 2420 and EB 2433X batteries.

- For Europe

CAUTION ● Read thoroughly HANDLING INSTRUCTIONS before use. ● Do not disassemble nor throw into fire.

- For the U. S. A. and Canada

CAUTION ● For safe operation, see instruction manual. ● Use HITACHI charger recommended in instruction manual for recharging.

(3) The following cautions are listed on the Name Plate attached to each Model UC 24YFB charger.

- For the U. S. A. and Canada

CAUTION ● For safe operation, see instruction manual.
● Charge HITACHI rechargeable battery type EB 2420. Other types of batteries may burst causing personal injury and damage. ● Charge between 32°F and 104°F. ● Indoor use only. ● Replace defective cord immediately.

7-3. Precautions Requiring Particular Attention During Sales Promotion

The cordless hammer drill offers many advantages: it can be used in places where no power source is available, the absence of a cord allows easy use, etc. However, in comparison with conventional AC type impact drills and hammer drills, there are certain precautions which require particular attention. Salespersons must be thoroughly familiar with the following points to properly advise the customer in the most efficient use of the tool.

(1) Appropriate drilling capacity of the Model DH 24DVA

The Model DH 24DVA is not capable of drilling several dozens of holes like a conventional AC type impact or hammer drill because it is a cordless hammer drill powered by a battery. If the customer wishes to use the tool to drill many holes in succession, please recommend that a spare battery should be kept available for use.

(2) Use thrust within the range of 10 to 15 kgf

Applying heavy thrust (pressure) on the tool, such as is possible with AC type impact and hammer drills, will not accelerate the drilling speed. On the contrary, excessive pressure will reduce bit rotation and hammering speed, and cause the storage battery to rapidly lose its charge.

(3) Variation in amount of work possible per charge

Although the nominal capacity of the storage batteries used with the Model DH 24DVA is 2.0 Ah, the actual capacity may vary within the range of 1.8 to 2.2 Ah depending on the ambient temperature during use and recharging, and the number of times the storage batteries have been discharged and recharged. It should also be noted that other factors which may have a bearing on the amount of work possible per charge are the working conditions (ambient temperature, type and moisture content of the workpieces, sharpness of the drill bits, etc.) and the operational skill of the user.

(4) Precautions in drilling with metal drill bits.

Although the Model DH 24DVA is designed for a drilling capacity of up to 13 mm in steel, its operational capabilities are considerably less than those of conventional AC type impact drills. Especially when drilling with a 13 mm drill bit for steel, the drill tends to become locked when the drill bit penetrates through the material. For this reason, the customer should be cautioned to reduce the pressure on the main body of the tool when drilling completely through the material to avoid locking the drill.

8. REFERENCE MATERIAL

8-1. Lubrication

It is not necessary to replenish the grease lubricant unless the tool is disassembled or there is grease leakage due to a defective seal. Special grease is used in the striking section. Should the striking section (within the gear cover) be disassembled, carefully remove the old grease from all parts and, on reassembly, insert 45 g (1.6 oz) of new grease into the gear cover and 5 g (0.2 oz) into the groove of the inner cover. Be careful not to exceed the designed amount of grease. Excessive grease will reduce striking efficiency.

Apply Molub Alloy No. 777-1 grease to the outer circumference of the clutch groove, the pin portion and claw portions (4 pcs.) of the change lever.

8-2. Tool Structure

While the structure is essentially the same as that of the Model DH 24PB2, the description below are included to enhance your understanding of the tool and its mechanisms.

- Transmission of rotation

Unlike conventional hammer drills, the armature shaft in the Model DH 24DVA is in parallel with the tool shaft - the same structure that is employed in most impact drills. This structure was adopted in order to make the Model DH 24DVA more compact for easier handling and operability. Thus, the appearance of the Model DH 24DVA is similar to that of an impact drill. The rotation of the armature is transmitted to the second shaft via the first gear, and causes it to rotate. The second shaft engages the second gear mounted on the outer circumference of the cylinder. The cylinder is coupled to the second gear by means of a slip mechanism, and they rotate together. The end of the cylinder also functions as the drill bit retainer. The cylinder is key-connected to the inserted drill bit by means of two key rails, and transmits rotation to the drill bit. A steel ball is used to prevent the bit from coming off.

- Piston reciprocating mechanism

In conventional hammer drills, a piston is caused to reciprocate by a connecting rod and crank shaft, and the crank shaft and the cylinder axis are at right angle to each other. Accordingly, the armature shaft and the cylinder axis are at a right angle to each other. In the Model DH 24DVA, through adoption of a spiral drive system (a mechanism using a reciprocating bearing), a more compact design has been achieved by arranging the armature shaft in parallel with the cylinder axis. Referring to Fig. 5, the rotation of the armature is transmitted to the second shaft via the first gear. The second shaft rotation is further transmitted through a spline to the clutch, which engages with a reciprocating bearing and causes it to rotate. However, as illustrated, circular grooves on the inner race of the reciprocating bearing are positioned on an angle of inclination with relation to the second shaft. The rotation of the inner race and the shaft causes that angle of inclination to change regularly forward and back with relation to the second shaft, and produces a rocking motion to the outer race of the reciprocating bearing. Finally, a rod extending from the outer race of the reciprocating bearing is connected to the piston by the piston pin, and causes the reciprocating motion of the piston.

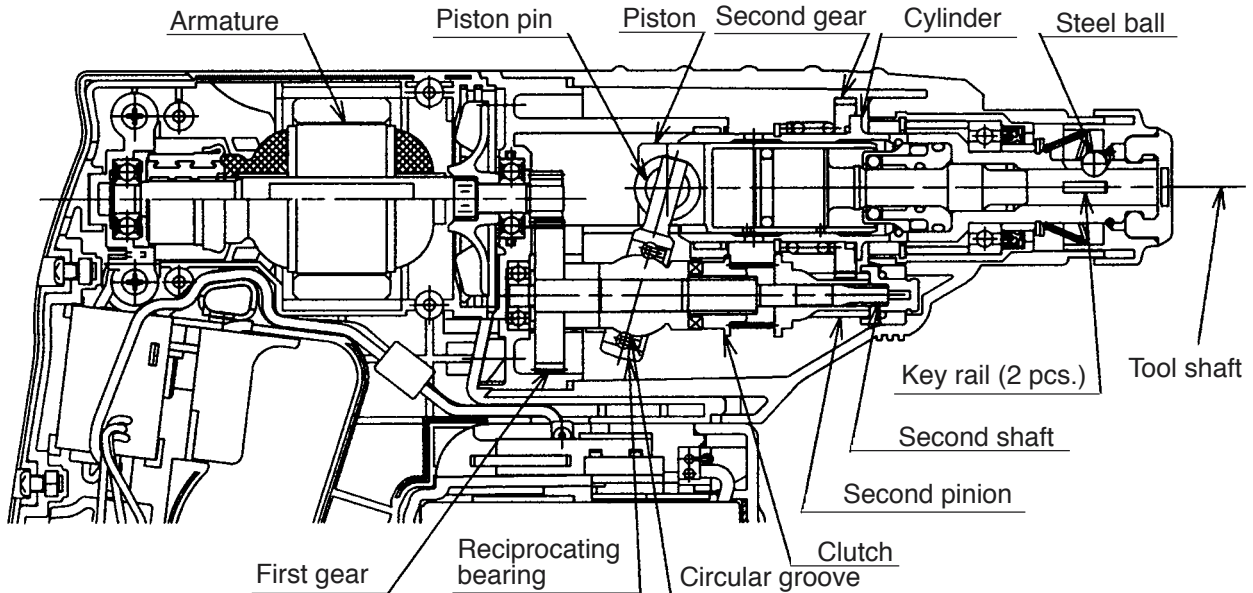


Fig. 5

- Hammering function

The piston reciprocates within the cylinder to move the striker in the same manner as in conventional hammer drills. As the piston reciprocates, the changing air pressure inside the air chamber between the piston and the striker causes the striker to move and continuously strike against the end of the second hammer. At the same time, the changing air pressure within the air chamber which moves the striker also provides an "air cushion" which absorbs the impact of the hammering action. As any air leakage from the air chamber would weaken the air-cushion effect and reduce impact absorption, the O-ring (mounted on the striker) is extremely important to seal the air. Although special rubber material is utilized in construction of the O-ring to make its effective service life as long as possible, wear cannot be fully avoided. Accordingly, it is recommended that the O-ring be replaced approximately once a year, depending on the frequency of usage of the tool.

- Idle striking prevention mechanism

The idle striking prevention mechanism in the Model DH 24DVA is different from that of conventional hammer drills. When the drill bit is lifted from the concrete surface on completion of drilling, the second hammer moves to the position indicated by the continuous lines in Fig. 6, and the protruding (lip) portion at the tip of the striker is gripped by O-ring (C) mounted between the hammer holder and the damper holder. In this state, should the piston continue to move so that the small piston respiratory hole is blocked by the inner wall of the cylinder, the air in the air chamber will pass through the large piston respiratory hole and be released through the air-escape slot and large cylinder respiratory hole provided on the inner wall of the cylinder. Accordingly, there is no change in the air pressure within the air chamber, and movement of the striker (idle hammering operation) is prevented. The gripping force of O-ring (C) on the striker is so small in comparison with the conventional mouth system that practically no pressing force at all is required to restart the hammering operation.

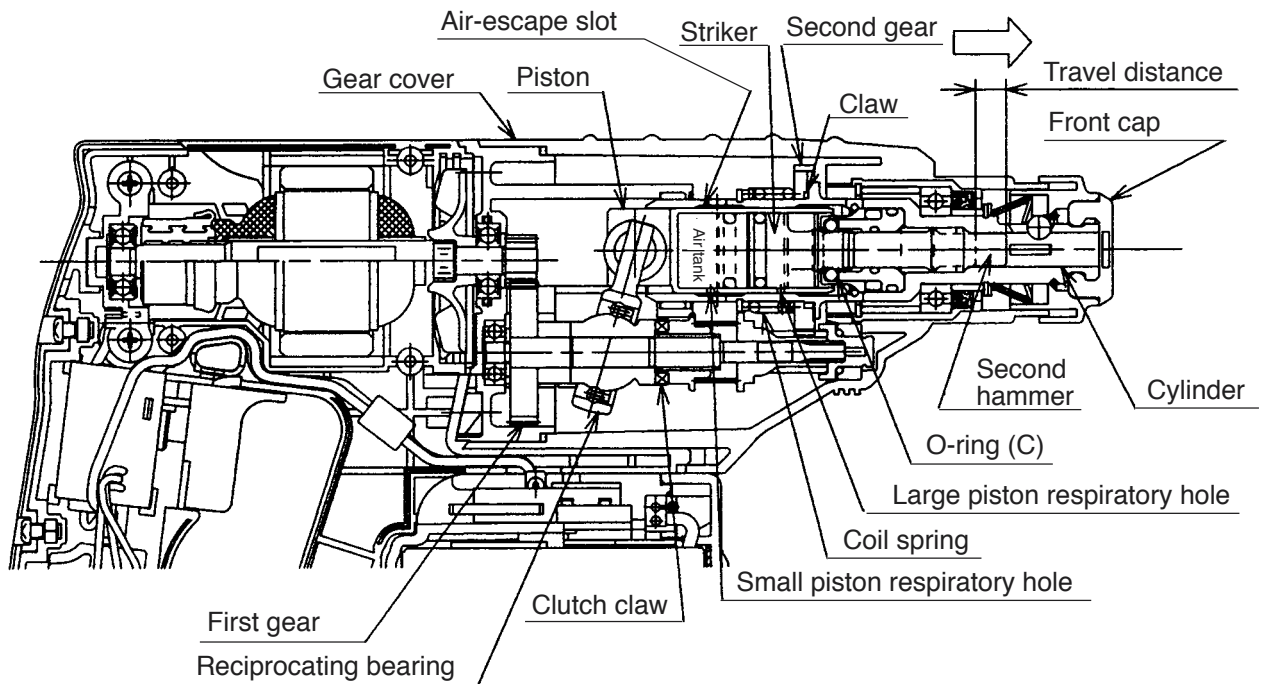


Fig. 6

- Slip mechanism

The slip mechanism in the Model DH 24DVA consists of a coil spring which applies a pre-set amount of pressure to ensure the interlocking of three claws provided on the flange of the cylinder (the final rotating shaft) and three matching claws provided on the face of the second gear, by which rotation is transmitted to the cylinder. The second gear is fitted to the cylinder with a certain amount of play.

If an excessively large torque is applied to the tool shaft (cylinder), the force of the torque will exceed the pressure of the coil spring and cause the claws on the second gear to disengage from and ride over the claws on the cylinder so that the second gear idles and does not transmit rotation. Even should the drill bit come in contact with a reinforcing bar within the concrete, causing sudden excessive torque, the slip mechanism functions to prevent damage to the gears, and possible loss of control of the tool by the operator.

- Sealed and dustproof construction

The gear cover is totally enclosed by oil seals, O-rings and other devices to prevent leakage of lubricating grease, and to keep dust and dirt out of the internal mechanisms. The drill bit chuck portion is protected by the rubber front cap to keep out dust and chips which could cause improper fitting of the drill bit and/or other faulty operation of the chuck portion. The speed control switch is also a fully dust-proofed type to prevent dust and chips from entering the handle section and causing possible operational trouble or a breakdown of the insulation.

- Speed control

The Model DH 24DVA is equipped with a variable speed control switch which permits free change of the rotation speed and striking force. When drilling in fragile materials, pull the switch trigger gently for low rotation speed (striking force) to achieve optimum results.

- Internal pressure adjustment mechanism

An air passage is provided as shown in Fig. 7 to let out air inside the gear cover and let outside air in the gear cover. This passage is sandwiched between felt packings to pass only air (pressure). Thus variations in the internal pressure are minimized for stable hammering operation and prevention of idling and grease leakage.

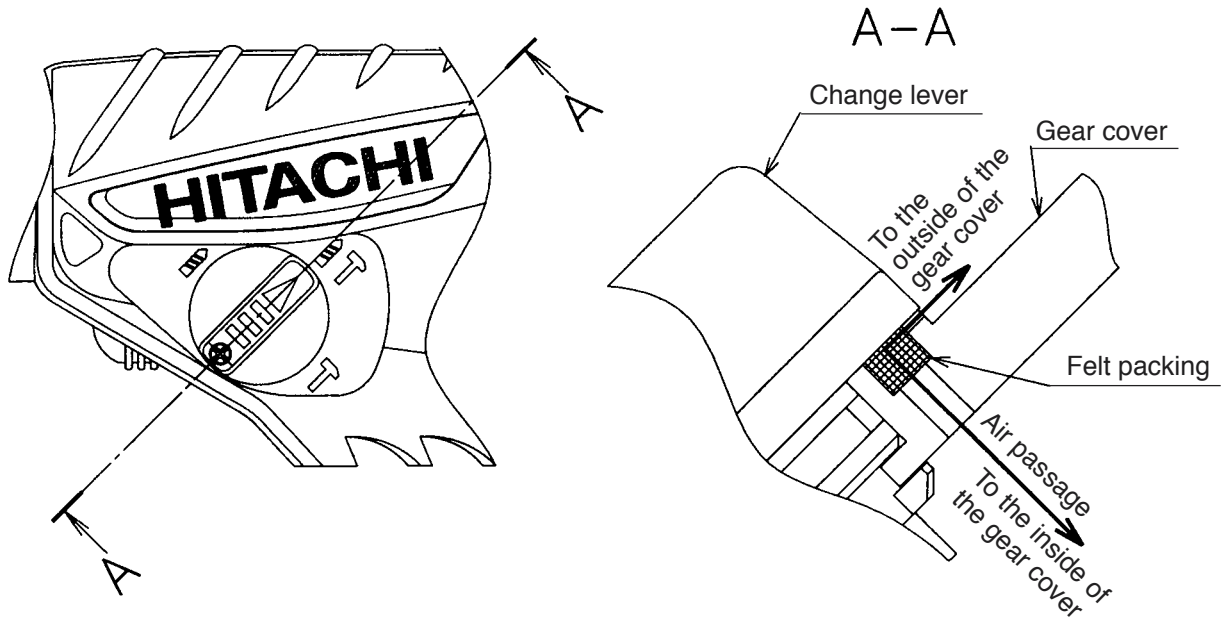


Fig. 7

8-3. "Three-Mode" Changeover Mechanism

The change lever of the Model DH 24DVA permits quick and easy changeover among the "rotation and hammering", "rotation only" and "hammering only" functions. Each function mode is explained below.

(1) Rotation and hammering (Fig. 8)

Adjust the change lever to "rotation and hammering" (T marks). Armature rotation is transmitted to the first gear and second shaft, and then to the clutch via the spline of the second shaft. Claws on the end surface of the clutch engage with matching claws of the reciprocating bearing (A portion in the figure) to convert the rotation into reciprocating motion. Three claws on the tip of the second shaft engage with matching three claws of the pinion sleeve all the time, and the second shaft rotation is transmitted to the pinion sleeve. Then claws on the large-dia. portion of pinion sleeve engage with the second pinion (B portion in the figure), and the rotation is transmitted to the second gear and the cylinder.

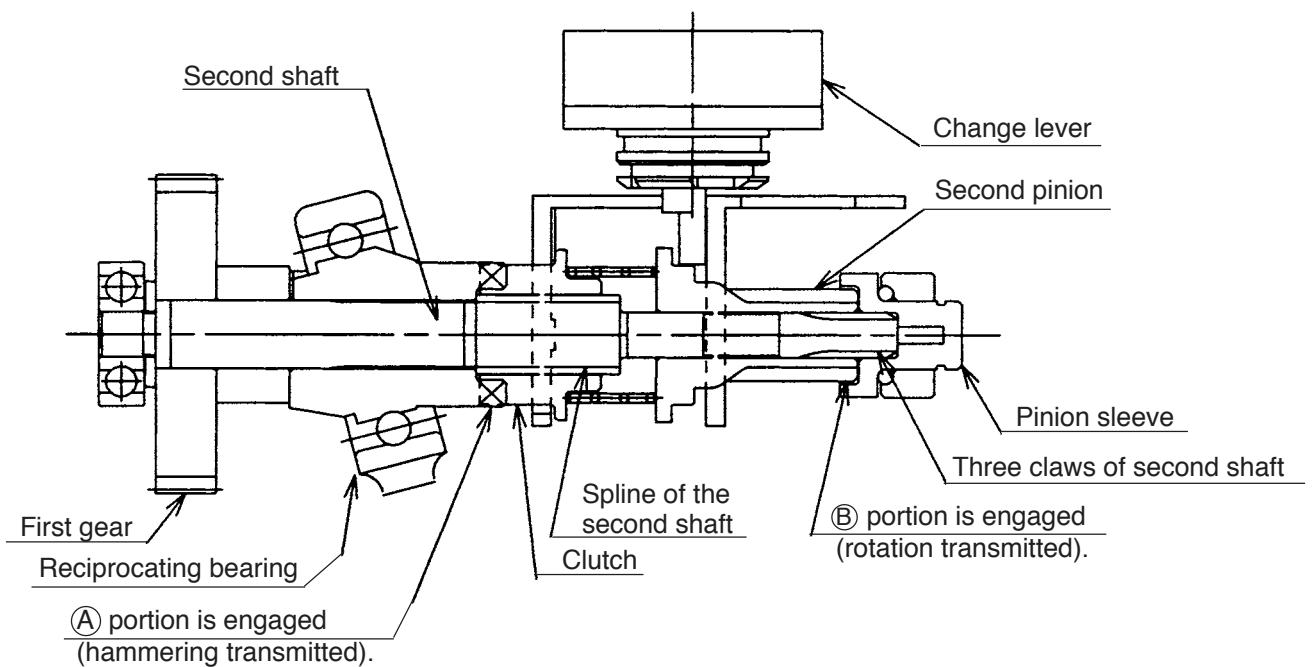


Fig. 8

(2) Rotation only (Fig. 9)

Adjust the change lever to "rotation only" (⊕ mark). The lock plate is moved forward by the pin of the change lever, and the clutch is moved forward at the back end of the lock plate. Engagement between the clutch and the claws of the reciprocating bearing is released (Ⓐ portion in the figure). Thus no rotation is transmitted to the reciprocating bearing and hammering is stopped. On the other hand, the pinion sleeve engages with the second pinion (Ⓑ portion in the figure), and so the rotation is transmitted to the pinion sleeve for "rotation only" function.

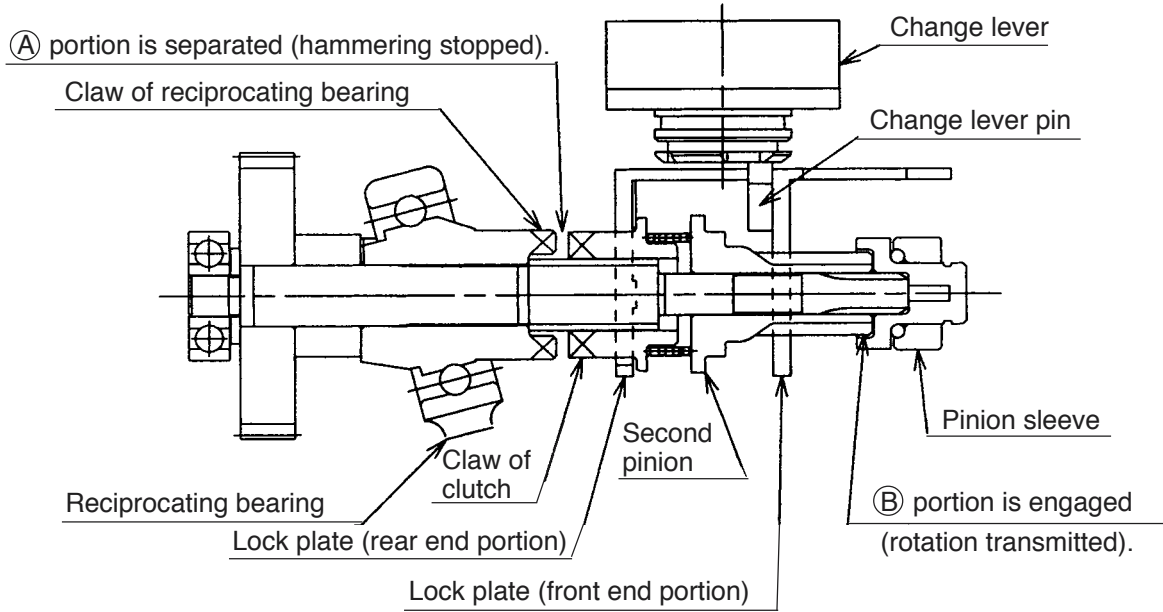


Fig. 9

(3) Hammering only (Fig. 10)

Adjust the change lever to "hammering only" (⊥ mark). The second pinion is moved to the motor side by the pin of the change lever. Engagement between the pinion sleeve and the second pinion is released and no rotation is transmitted (Ⓑ portion in the figure). The lock plate is moved to the motor side by spring (C) and engaged with the locking claw of the second pinion to lock the cylinder rotation (Ⓒ portion in the figure). On the other hand, the clutch engages with the reciprocating bearing for "hammering only" function (Ⓐ portion in the figure).

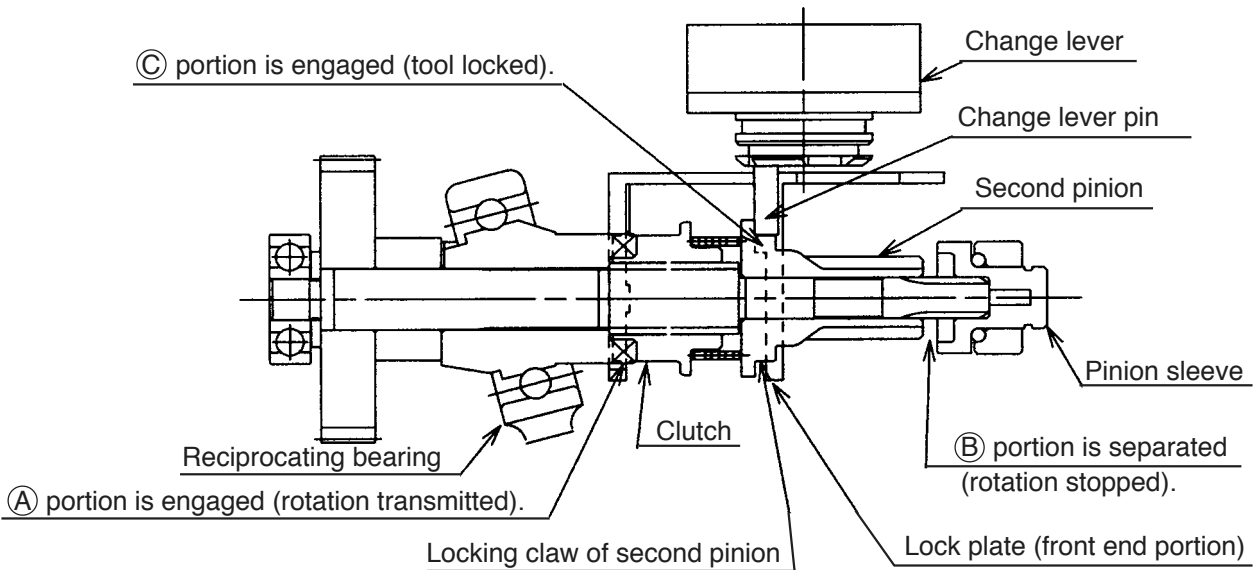


Fig. 10

(4) Neutral (Fig. 11)

The Model DH 24PC3 has a neutral mode used for positioning a tool such as a flat chisel. Adjust the change lever to a position halfway between "hammering only" (T mark) and "rotation and hammering" (T marks). Engagement between the pinion sleeve and the second pinion (B portion in the figure), and between the lock plate and the locking claw of the second pinion (C portion in the figure) is released and the cylinder rotates freely. Simply turn the grip to adjust the tool to the desired position.

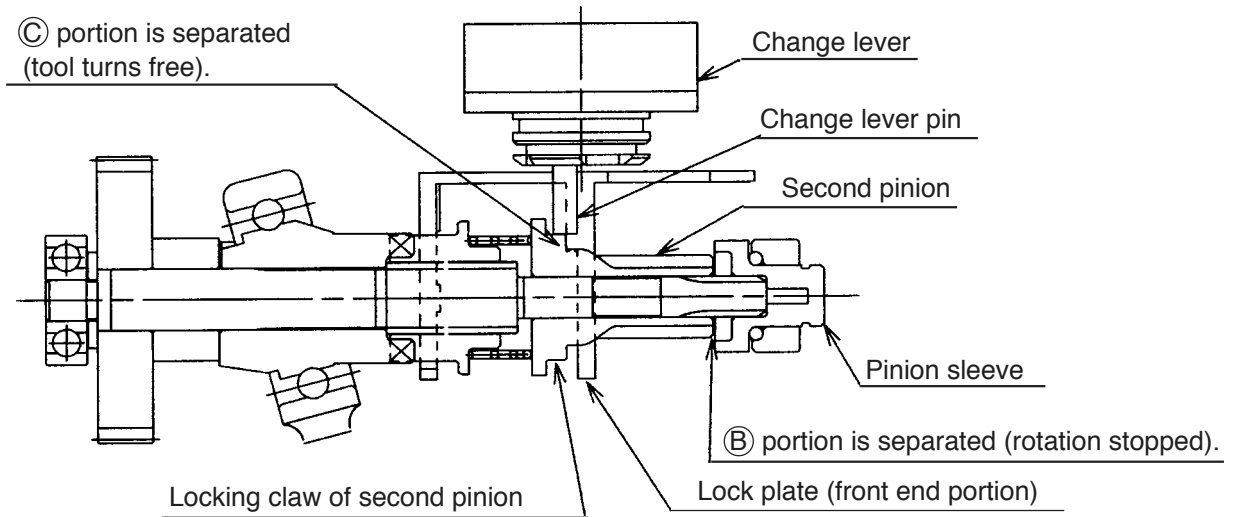


Fig. 11

8-4. "Rotation Only" (No Hammering)

The Model DH 24DVA is equipped with a change lever for changeover between "rotation + hammering", "rotation only" and "hammering only" functions, merely mounting the chuck adapter will not stop the hammering action; it is absolutely necessary to turn the change lever to the "rotation only" setting for drilling or driving screws. Should the change lever be set to the "rotation + hammering" position when the tool is used for drilling, the hammering action may cause the drill chuck to be broken or damaged. Salespersons should carefully ensure that the buyer is thoroughly advised on this point.

8-5. Drill Bits

The chuck section is designed exclusively for the popular and widely available SDS-plus shank bits, as shown in Fig. 12. Rotating torque is transmitted to the drill bit by two key rails provided in the tool holding section. A steel ball is used to prevent the bit from falling out.

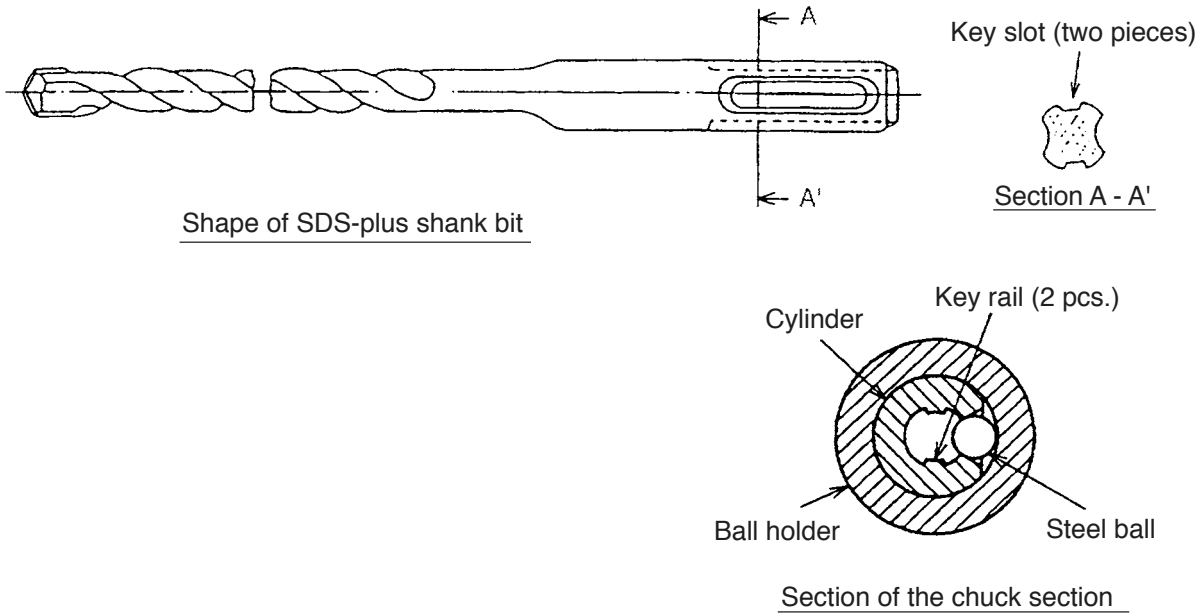


Fig. 12

The service life of a drill bit with a diameter of 8 mm is approximately 300 holes when drilling into concrete with a depth of 30 mm. If reground before the end of its service life, the drill bit will continue to provide efficient drilling. Figure 13 shows the regrinding angle.

Regrinding angle of drill bit

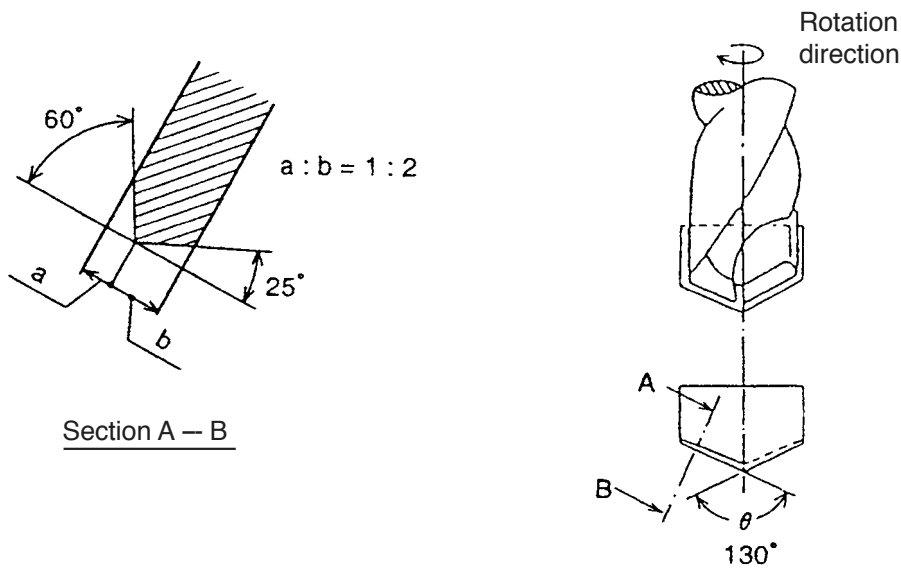


Fig. 13

8-6. Tool Retainer Section

Figure 14 shows the construction of the chuck section.

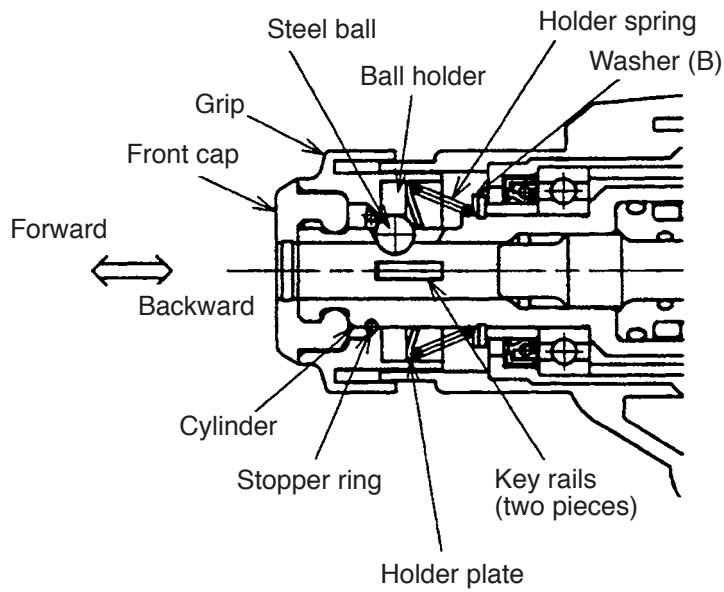


Fig. 14

The tool retainer is structured as shown in Fig. 14.

The tip of the tool retainer is covered with the front cap (made of rubber) to prevent dust and chips from getting inside. The steel ball falls into the round groove of the bit to prevent the tool from coming off and the two key rails transmit the rotation torque. To mount the bit, push the bit in the tool retainer as far as it will go. Pushing lightly, turn the bit until it is caught. At this position, push the bit in as far as it will go (sliding the grip is not required for mounting the bit). To remove the bit, slide the grip backward to the full and remove the bit.

8-7. Dust Collector (B)

When drilling holes overhead, dust collector (B) can be mounted on the Model DH 24DVA to prevent dust and chips from falling downward. Dust collector (B) is intended solely for use when drilling holes in concrete, and cannot be used for drilling holes in steel or wood. It is designed for use with drill bits with overall length of 166 mm, 160 mm and 110 mm, and cannot be used with any longer bits. When using a drill bit with an overall length of 166 mm with dust collector (B), drilling up to a depth of approximately 72 mm is possible. When using dust collector (B), ensure it is securely fastened to the grip on the main body with socket adapter (B). Although the socket and socket adapter (B) rotate together with the tool shank, there is a steel ball between the outer race and the socket which serves as a ball bearing. Should the dust cover be forced against the concrete surface, it will not rotate even though the tool shank continues to rotate. Should the tool be operated when the dust cover is not being held against a concrete surface, inertia may cause dust collector (B) to become disconnected from the grip. Accordingly, caution the customer to press dust collector (B) and drill bit firmly against the concrete surface before turning on the switch to start drilling.

When dust collector (B) is used, almost no dust and chips are scattered about. However, since the chips and dust remaining in the collector may scatter after completion of the drilling operation, the customer should be advised to always wear protective eyeglasses.

When dust collector (B) is disassembled for repair or maintenance, be very careful to prevent oil or grease from adhering to the steel balls. Grease or oil on the steel balls may cause concrete dust to enter the unit and cause defective rotation.

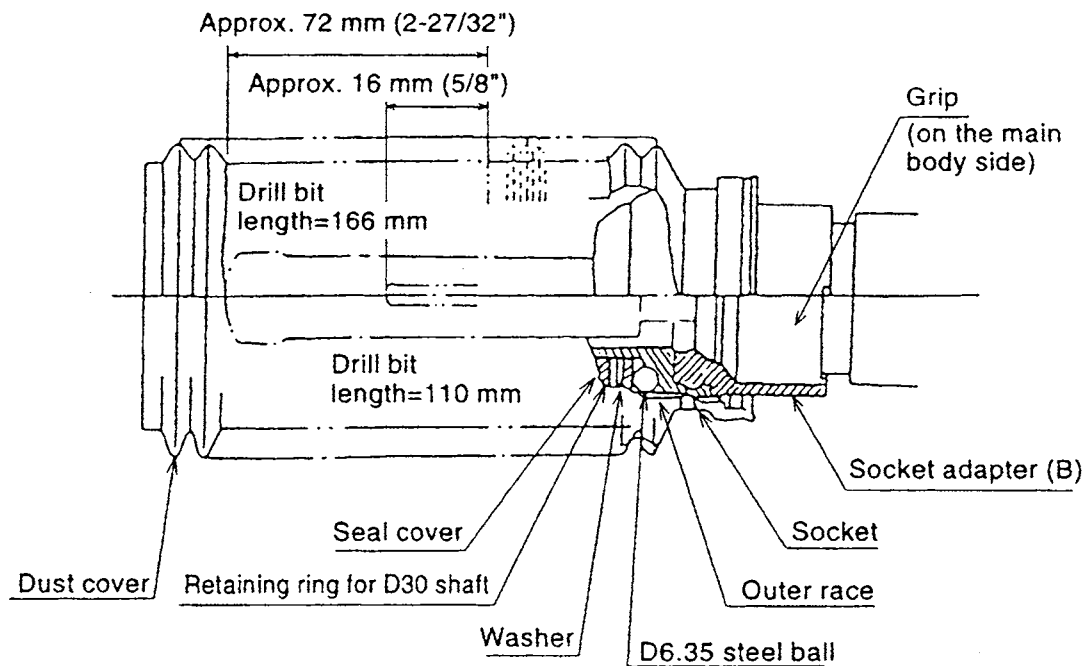


Fig. 15 Dust collector (B) structure

9. PRECAUTIONS IN DISASSEMBLY AND REASSEMBLY

The numbers in **[Bold]** correspond to the item numbers in the Parts List and exploded assembly diagrams.

9-1. Disassembly

(1) Disassembly of the hammering mechanism section

Push in the Second Hammer **[29]** with a drill bit or a screwdriver. Remove the Striker **[37]** chucked by O-ring (C) **[34]**. Remove the Tapping Screw (W/Flange) D5 x 25 (Black) **[9]** from Gear Cover (A) **[10]** and remove Gear Cover (A) **[10]**.

Remove from the end of Second Shaft (A) **[49]**, and turn Second Shaft (A) **[49]** so that the Piston **[39]** moves to its maximum upper position (inner cover side). The arm of the Reciprocating Bearing **[51]** can then be disconnected from the Piston Pin **[50]**, and Second Shaft (A) **[49]** and the components mounted on it can be removed from the Inner Cover Ass'y **[42]** as a unit.

With a bearing puller, remove the First Gear **[53]** from Second Shaft (A) **[49]**. Then take off the Reciprocating Bearing **[51]**. At this time, carefully note that the First Gear **[53]** must be aligned with and press-fitted onto the 9 mm diameter end of Second Shaft (A) **[49]**.

(2) Removal of Change Lever (A) **[19]**

As shown in Fig. 16-1, remove the Tapping Screw D2.6 x 10 **[22]** and turn Change Lever (A) **[19]** counterclockwise (in the arrow direction) until "△" mark on Change Lever (A) **[19]** points right below. Then Change Lever (A) **[19]** can be removed. Be careful not to lose the Steel Ball D3.97 **[23]**. After removal of Change Lever (A) **[19]**, the Second Pinion **[43]**, Clutch Spring **[44]**, Clutch **[45]** and Lock Plate **[48]** can be removed as a unit as shown in Fig. 16-2.

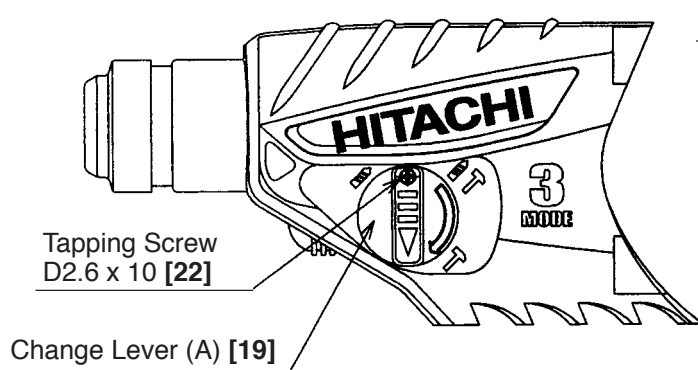


Fig. 16 - 1

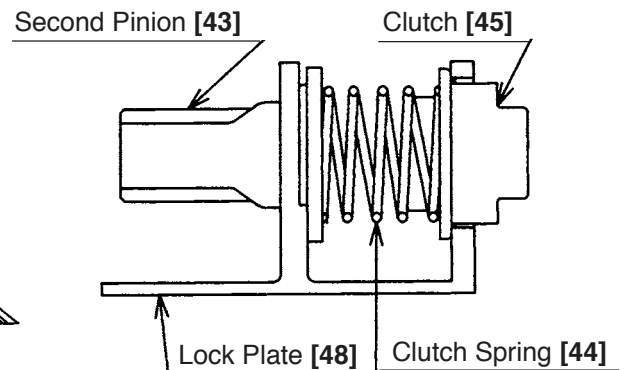


Fig. 16 - 2

(3) Disassembly of the tool retainer

Slide the Grip [3] fully in the arrow direction as shown in Fig. 17 and remove the Front Cap [1]. Pulling the Grip [3] as shown in Fig. 18, remove the Stopper Ring [2] with a retaining ring puller. Then the Grip [3], Ball Holder [4], Steel Ball D7.0 [16], Holder Plate [5], Holder Spring [6] and Washer (B) [7] can be removed from the Cylinder [17].

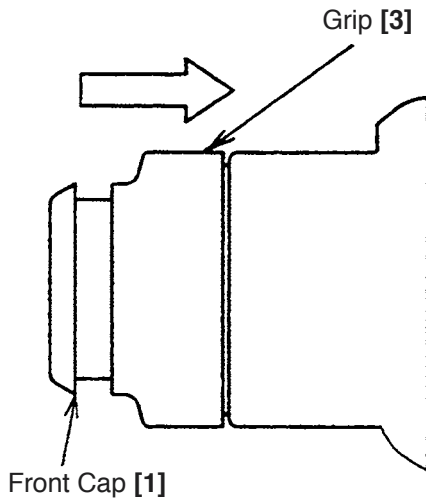


Fig. 17

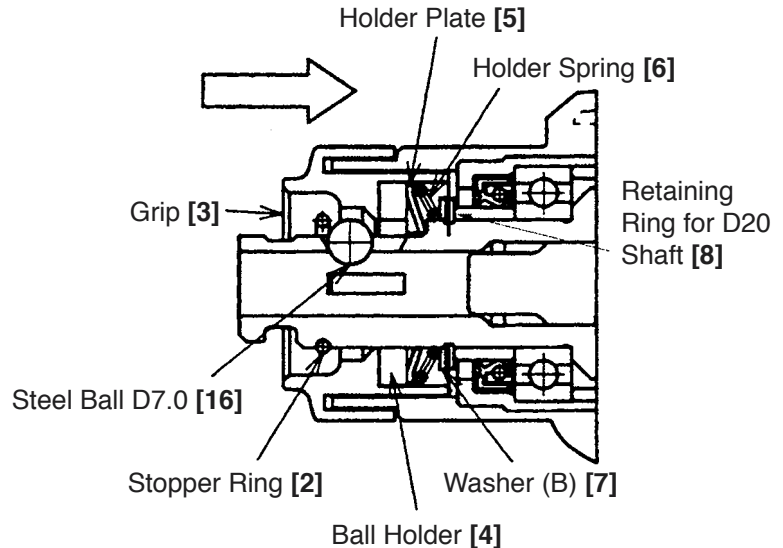


Fig. 18

(4) Removal of the cylinder and the second gear (slip mechanism section)

Remove Gear Cover (A) [10] from the Inner Cover Ass'y [42] and remove the entire tool retainer. Remove the Retaining Ring for D20 Shaft [8] with a retaining ring puller. Stand Gear Cover (A) [10] in this state and pull out the Cylinder [17] from Gear Cover (A) [10] with a hand press. Then the Sleeve [12] can be removed from the Cylinder [17]. Remove the Retaining Ring D30 [28] from the Cylinder [17] with a retaining ring puller. Then the Second Gear [25], Spring (A) [26] and Washer (A) [27] can be removed from the Cylinder [17].

(5) Removal of the cylinder and the second hammer

Remove the Stopper Ring [36] from the inside diameter portion of the Cylinder [17]. Then the Second Hammer [29], O-ring (1AP-20) [30], Hammer Holder [31], O-ring (B) [32], Damper (A) [33], O-ring (C) [34] and Damper Holder [35] can be removed from the Cylinder [17]. As shown in Fig. 19, insert the no-hole side of stopper ring jig (A) (J-341) into the Cylinder [17] until it contacts the end surface of the Damper Holder [35]. Hold the Cylinder [17] and the end surface of stopper ring jig (A) (J-341) with a vise, and compress Damper (A) [33] (it moves a little when the Stopper Ring [36] is pressed with punch (C) (J-341)). Insert punch (C) (J-341) into the 5-mm diameter holes (2 places) in the Cylinder [17] and tap the outside of the Stopper Ring [36] until the Stopper Ring [36] cannot be seen from the 5-mm diameter holes (2 places) to remove the Stopper Ring [36] from the groove of the inside diameter portion of the Cylinder [17]. Then remove the Cylinder [17] from the vise and pull out the Stopper Ring [36] from the inside diameter portion of the Cylinder [17] with ring puller jig (B) (J-341) being careful not to pop out the Stopper Ring [36]. At reassembly, replace the Stopper Ring [36] with new one as the removed Stopper Ring [36] is deformed. To prevent idle hammering, also replace O-ring (C) [34] with new one at reassembly.

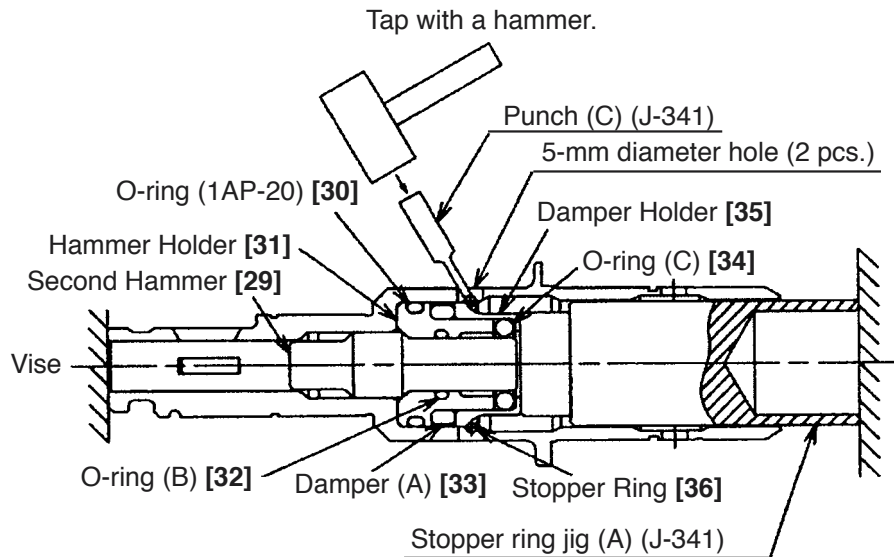


Fig. 19

(6) Removal of the armature and the housing

After disassembly of the hammering mechanism section, remove the Machine Screw M4 x 8 [82] from the Grip Cover [81] and remove the Grip Cover [81] to show the carbon brushes. Hook the Spring [64] on the edge of the carbon brush tube. Remove the Tapping Screw (W/Flange) D4 x 16 (Black) [57] from the Inner Cover Ass'y [42]. Then the Inner Cover Ass'y [42] can be removed together with the Armature and Pinion Ass'y DC 24 V [60]. At this time, be careful not to damage the carbon brushes. The Inner Cover Ass'y [42] and the Armature and Pinion Ass'y DC 24 V [60] can be removed just by pressing the Pinion [55] slightly with a press because there is an interference of the O-ring [58]. The housing is constructed of two parts. Remove the Tapping Screw (W/Flange) D4 x 20 (Black) [70] to disassemble the housing.

(7) Removal of the carbon brush holder

After disassembly of the housing, remove the Tapping Screw (W/Flange) D4 x 16 (Black) [57] to remove the carbon brush holder.

(8) Replacement of the carbon brushes

Remove the Grip Cover [81] to show the carbon brushes. Pinch the terminal of the Carbon Brush (Auto Stop Type) (1 Pair) [66] with a pair of long-nose pliers as shown in Fig. 20 and pull it out of the carbon brush holder. At this time, melt solder at the terminal. Hook the Spring [64] on the Carbon Brush (Auto Stop Type) (1 Pair) [66] with a flat-blade screwdriver and remove the Carbon Brush (Auto Stop Type) (1 Pair) [66].

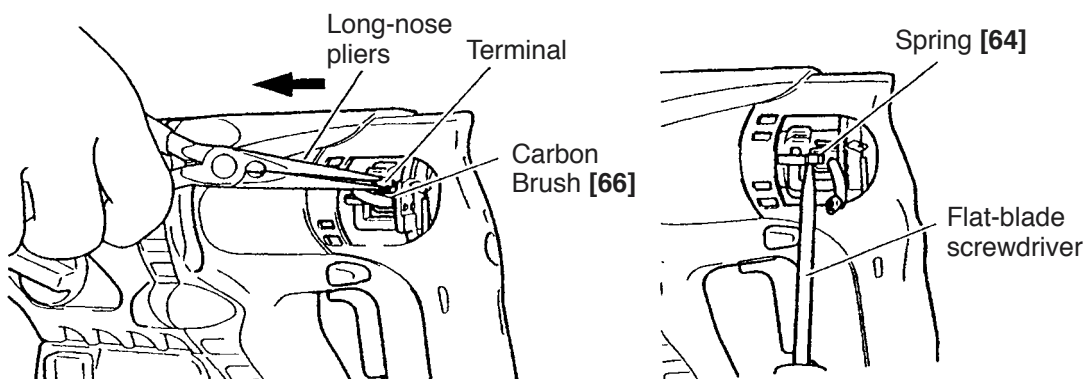


Fig. 20

9-2. Reassembly

Reassembly can be accomplished by following the disassembly procedure in reverse. However, special attention should be given to the following items.

(1) Application of lubricant

Apply special grease (for hammer and hammer drill) to the O-ring (1AP-20) [30] and O-ring (B) [32] for the Hammer Holder [31], Damper (A) [33], O-ring (C) [34], O-ring (I.D.16) [38] for the Striker [37], outer circumference of the Striker [37], inner and outer circumference of the Piston Pin [50], outer circumference of the Piston [39], Reciprocating Bearing [51], Reciprocating Bearing [51] rotary shaft of Second Shaft (A) [49], Second Pinion [43] rotary shaft, clutch claw of the Cylinder [17], inner circumference of the metal of the Inner Cover Ass'y [42], Second Hammer [29], and the lip portion of the Oil Seal [11]. Fill 45 g of the special grease in the gear cover and 5 g in the inner cover groove. Apply Molub Alloy No. 777-1 grease to the pin portion of Change Lever (A) [19]. Apply Molub Alloy No. 777-1 grease to the contact portion between the Clutch [45] and the Lock Plate [48]. Fill Molub Alloy No. 777-1 grease in the ball portion of the Reciprocating Bearing [51]. Apply Hitachi Motor Grease No. 29 to the O-ring (S-18) [20] for the Steel Ball D7.0 [16] and Change Lever (A) [19].

(2) Mounting the Cylinder [17]

Mount the Second Hammer [29], O-ring (1AP-20) [30], Hammer Holder [31], O-ring (B) [32], Damper (A) [33], new O-ring (C) [34] and Damper Holder [35] in the Cylinder [17]. Push the new Stopper Ring [36] in the Cylinder [17] then push in the hole side of stopper ring jig (A) (J-341) on it as shown in Fig. 21. Push the upper end surface of stopper ring jig (A) (J-341) with a hand press to fit the Stopper Ring [36] in the groove of the inside diameter portion of the Cylinder [17]. Check that the Stopper Ring [36] is securely fitted in the groove of the inside diameter portion of the Cylinder [17] viewing from the 5-mm diameter holes (2 pcs.) on the Cylinder [17].

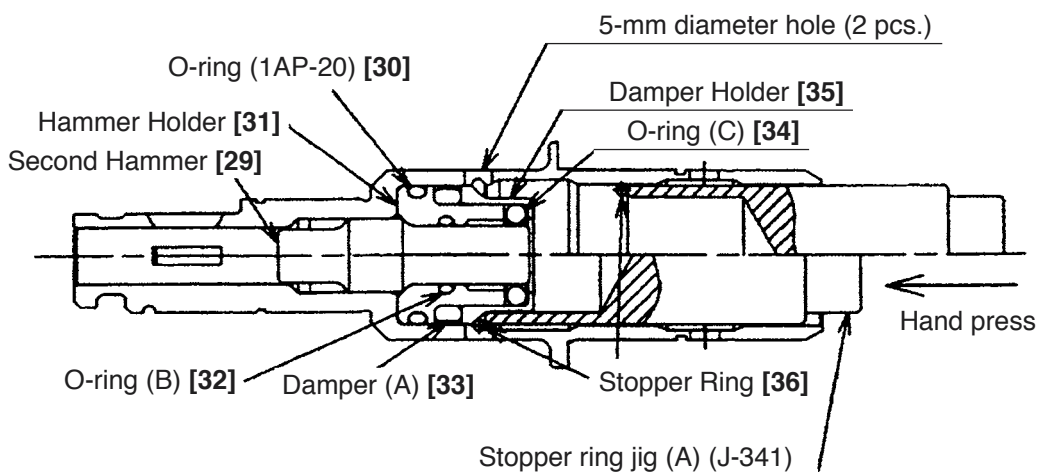


Fig. 21

(3) Mounting Change Lever (A) [19]

Before mounting Change Lever (A) [19], reassemble the lock plate ass'y (Lock Plate [48], Second Pinion [43], Clutch Spring [44] and Clutch [45]) as shown in Fig. 16-2.

Mount the lock plate ass'y to rails (A) and (B) of Gear Cover (A) [10] (Fig. 22). At this time, fit the Lock Plate [48] properly in rail (A) and rail (B) as shown in Fig. 23 (A). Push in Spring (C) [47] and mount Change Lever (A) [19]. When mounting Change Lever (A) [19], push in Change Lever (A) [19] strongly with the "△" mark pointed right below in the same manner as removal. Turn Change Lever (A) [19] within the range indicated with an arrow mark in Fig. 24 and then tighten the Tapping Screw D2.6 x 10 [22].

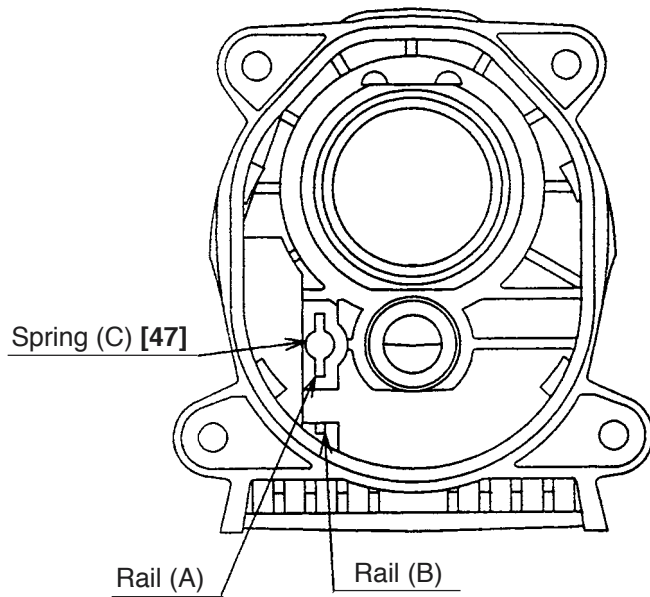


Fig. 22

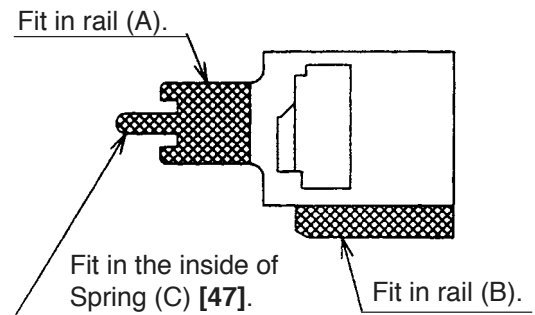


Fig. 23 (A)

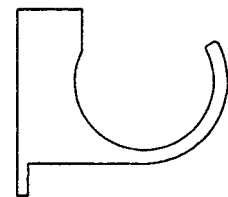
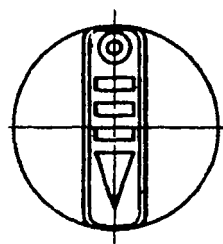
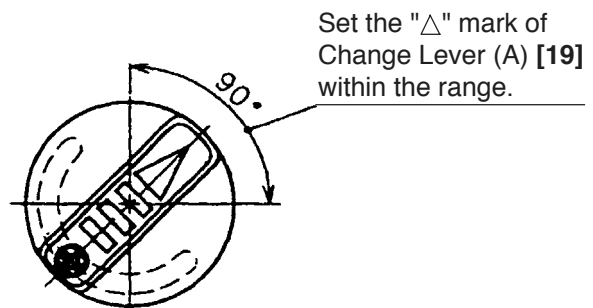


Fig. 23 (B) Mounting direction



Mounting position



Tapping Screw D2.6 x 10 [22] tightening position

Fig. 24

(4) Press-fitting the First Gear [53]

Press-fit the First Gear [53] aligning with the shaft end surface of Second Shaft (A) [49]. After press-fitting the First Gear [53], check that the inside ring of the Reciprocating Bearing [51] turns smoothly.

(5) Reassembly of the oil seal

Prior to reassembly, apply grease to the inner circumference of the Oil Seal [11]. However, do not apply grease to its outer circumference. Also, when press-fitting the Oil Seal [11], ensure that it is straight and level.

(6) Mounting the Piston [39]

Mount the Piston [39] facing its two 2-mm diameter holes to Second Shaft (A) [49] as shown in Fig. 25.

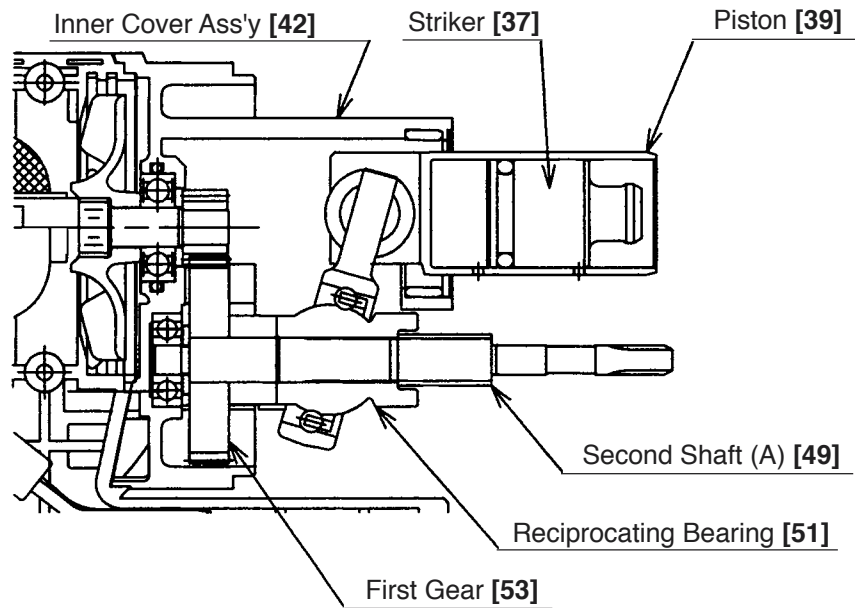


Fig. 25

(7) Mounting Gear Cover (A) [10]

First, mount Change Lever (A) [19] and the lock plate ass'y to Gear Cover (A) [10] then mount it to the main body as shown in Fig. 25. At this time, engage the gear in 3 points (A, B and C) as shown in Fig. 26 according to either of the following methods:

- ① Mount the drill bit and turn it by a hand slowly, or
- ② Install the battery and pull the trigger switch for a quick moment to turn the motor.

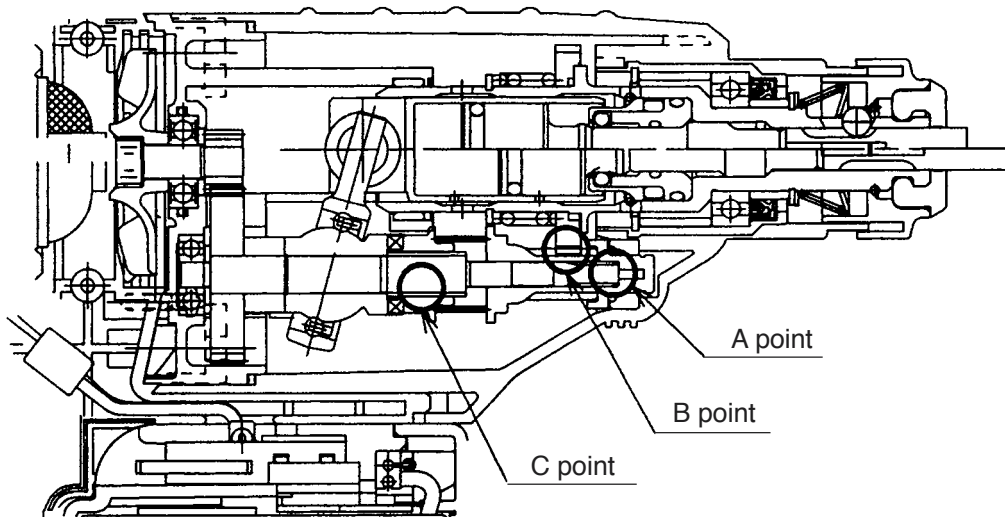


Fig. 26

(8) Perform wiring as shown in Fig. 27.

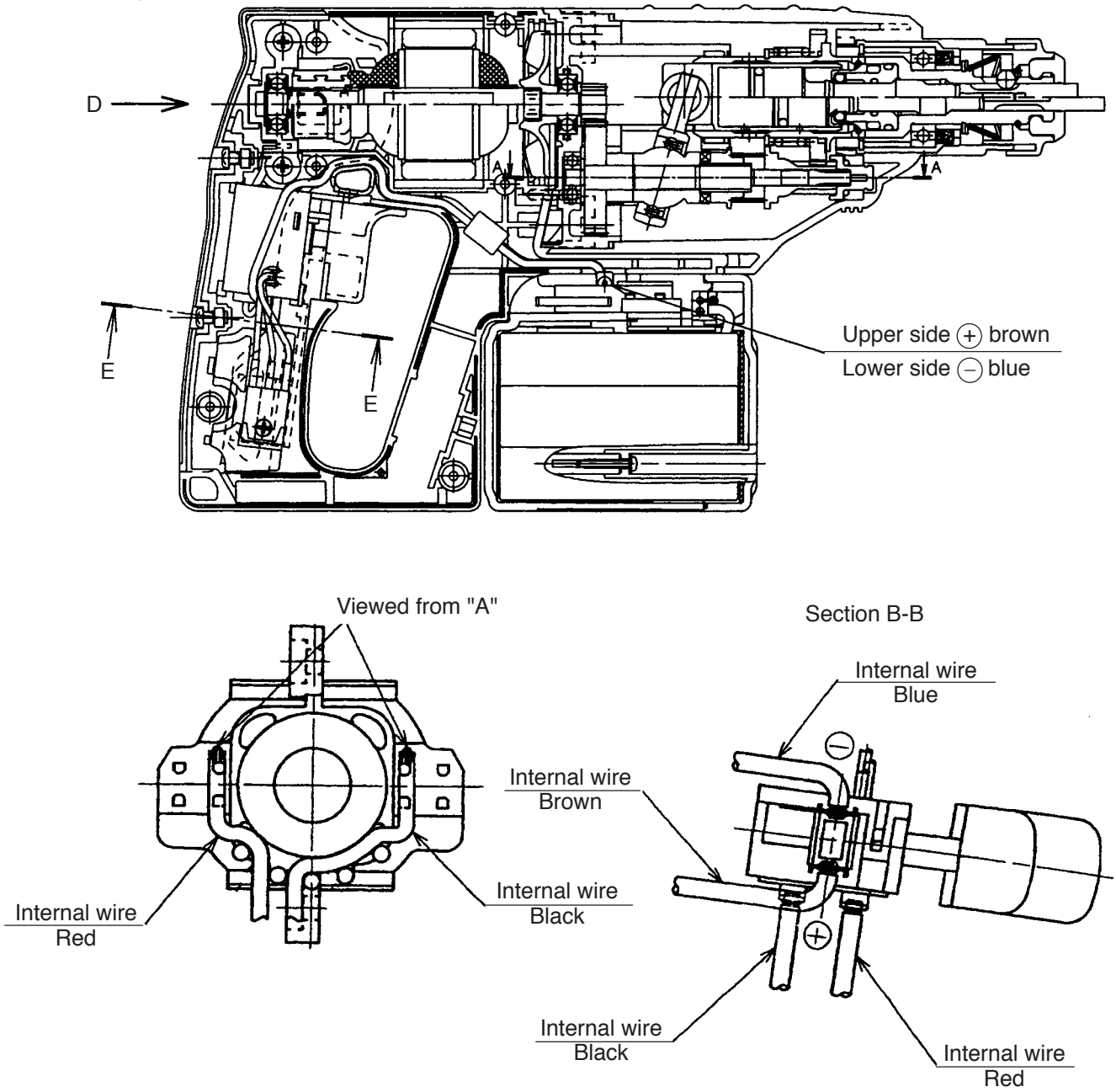


Fig. 27

9-3. Precautions on Disassembly and Reassembly of the Charger

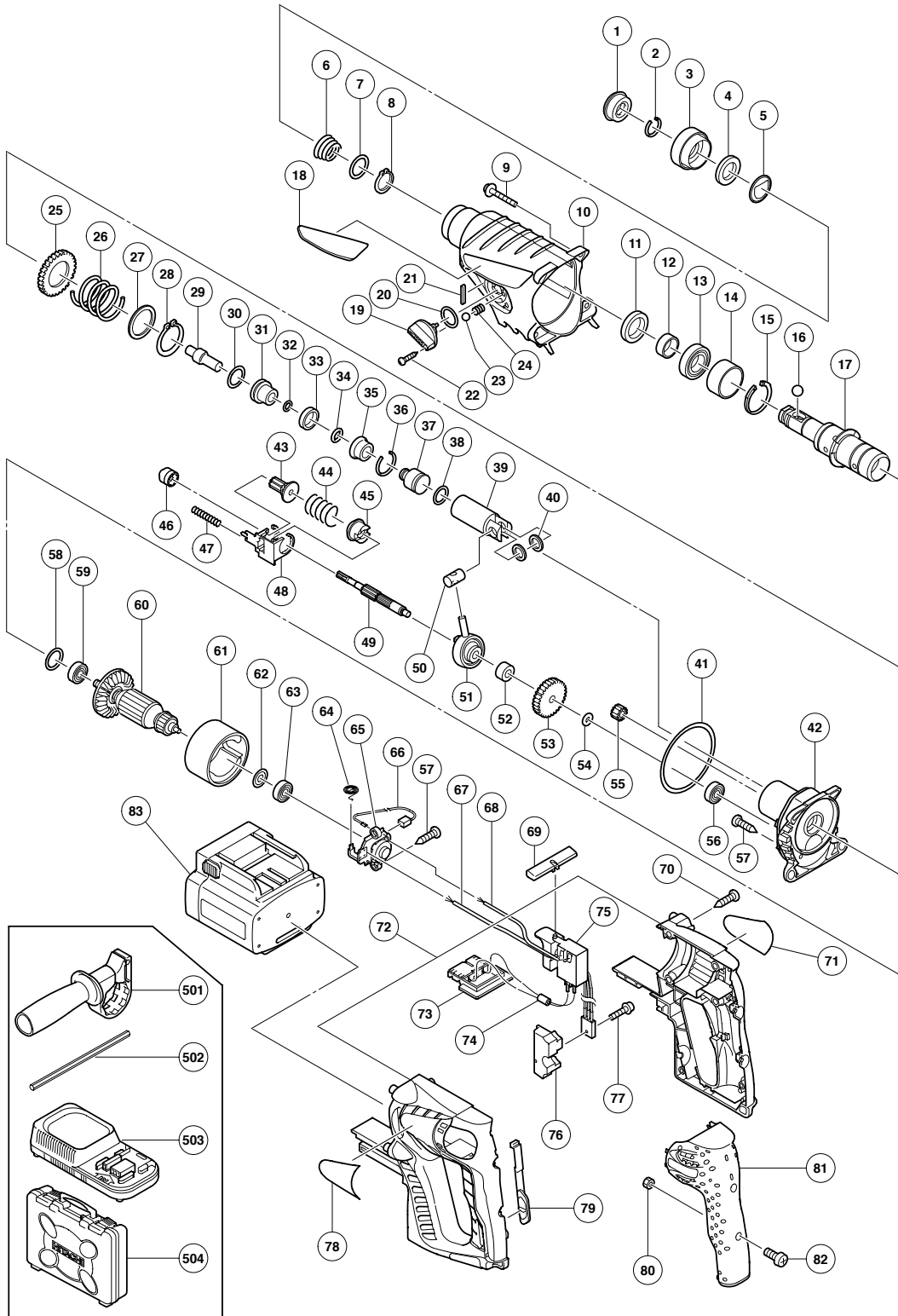
Please refer to Technical Data and Service Manual for Model UC 24YFB for precautions on disassembly and reassembly.

10. STANDARD REPAIR TIME (UNIT) SCHEDULES

MODEL	Variable		10	20	30	40	50	60 min.
	Fixed							
DH 24DVA		Work Flow						
			Grip Cover		Armature and Pinion Ass'y O-ring (P-22) Ball Bearing (608DD) Magnet Ball Bearing (608DD) Brush Holder Terminal Support DC-speed Control Switch	Housing (A),(B) Set		
	General Assembly		Front Cap Grip Ball Holder Holder Spring Steel Ball D7.0			Second Hammer O-ring (1AP-20) Hammer Holder O-ring (B) Damper (A) O-ring (C) Damper Holder	Cylinder Second Gear Spring (A)	
			Change Lever (A) O-ring (S-18)			Gear Cover (A) Oil Seal Ball Bearing (6904DD) Sleeve (A)		
				Striker O-ring Piston Washer (C) x 2 O-ring Piston Pin	Inner Cover Ass'y Second Shaft (A) Pinion Sleeve Spring (C) Second Pinion Clutch Spring Clutch Lock Plate Reciprocating Bearing First Gear Ball Bearing (626VV)			

ELECTRIC TOOL PARTS LIST

CORDLESS ROTARY HAMMER 2006 · 1 · 20 Model DH 24DVA (E1)



PARTS

DH 24DVA

ITEM NO.	CODE NO.	DESCRIPTION	NO. USED	REMARKS
1	306-345	FRONT CAP	1	
2	306-340	STOPPER RING	1	
3	323-154	GRIP	1	
4	324-528	BALL HOLDER	1	
5	324-526	HOLDER PLATE	1	
6	322-812	HOLDER SPRING	1	
7	984-118	WASHER (B)	1	
8	939-547	RETAINING RING FOR D20 SHAFT (10 PCS.)	1	
9	305-558	TAPPING SCREW (W/FLANGE) D5X25 (BLACK)	4	
10	325-555	GEAR COVER (A)	1	
11	307-688	OIL SEAL	1	
12	322-815	SLEEVE	1	
13	690-4DD	BALL BEARING 6904DDPS2L	1	
14	324-522	SLEEVE (A)	1	
15	322-813	RETAINING RING 37MM	1	
16	959-156	STEEL BALL D7.0 (10 PCS.)	1	
17	323-184	CYLINDER	1	
18	323-172	HITACHI PLATE (GREEN)	1	
19	325-551	CHANGE LEVER (A)	1	
20	878-885	O-RING (S-18)	1	
21	325-554	FELT PACKING	1	
22	323-239	TAPPING SCREW D2.6X10	1	
23	959-155	STEEL BALL D3.97 (10 PCS.)	1	
24	981-328	SPRING (H)	1	
25	323-185	SECOND GEAR	1	
26	317-233	SPRING (A)	1	
27	317-234	WASHER (A)	1	
28	317-235	RETAINING RING D30	1	
29	324-525	SECOND HAMMER	1	
30	944-486	O-RING (1AP-20)	1	
31	324-523	HAMMER HOLDER	1	
32	322-802	O-RING (B)	1	
33	322-805	DAMPER (A)	1	
34	322-808	O-RING (C)	1	
35	324-524	DAMPER HOLDER	1	
36	322-807	STOPPER RING	1	
37	324-535	STRIKER	1	
38	322-834	O-RING (I.D. 16)	1	
39	324-534	PISTON	1	
40	322-799	WASHER (C)	2	
41	325-254	O-RING (I.D. 72)	1	
42	323-157	INNER COVER ASS'Y	1	INCLUD. 56
43	323-181	SECOND PINION	1	
44	323-182	CLUTCH SPRING	1	
45	324-606	CLUTCH	1	
46	323-249	PINION SLEEVE	1	
47	325-556	SPRING (C)	1	
48	325-553	LOCK PLATE	1	
49	325-552	SECOND SHAFT (A)	1	
50	322-798	PISTON PIN	1	
51	324-533	RECIPROCATING BEARING	1	

STANDARD ACCESSORIES

DH 24DVA

ITEM NO.	CODE NO.	DESCRIPTION	NO. USED	REMARKS
501	323-155	SIDE HANDLE	1	
502	303-709	DEPTH GAUGE	1	
503		CHARGER (MODEL UC 24YFB)	1	
504	323-350	CASE	1	

OPTIONAL ACCESSORIES

ITEM NO.	CODE NO.	DESCRIPTION	NO. USED	REMARKS
601	303-332	HAMMER DRILL CHUCK SET 13MM	1	INCLUD. 602, 603
602	303-334	CHUCK HANDLE	1	
603	303-335	RUBBER CAP	1	
604	321-825	DRILL CHUCK AND ADAPTER SET	1	INCLUD. 605, 606
605	303-623	CHUCK ADAPTER (G) (SDS PLUS)	1	
606	321-814	DRILL CHUCK 13VLRB-D	1	INCLUD. 607, 608
607	995-344	FLAT HD. SCREW (A) (LEFT HAND) M6X25	1	
608	987-576	CHUCK WRENCH FOR 13VLB-D, 13VLR-D	1	
609	321-813	DRILL CHUCK 13VLD-D	1	INCLUD. 610
610	303-334	CHUCK HANDLE	1	
611	971-787	DUST CUP	1	
612	931-844	STOPPER	1	
613	971-511Z	+ DRIVER BIT (A) NO. 2 25L	1	
614	971-512Z	+ DRIVER BIT (A) NO. 3 25L	1	
615	971-794	ANCHOR SETTING ADAPTER A W1/4" (MANUAL)	1	
616	971-795	ANCHOR SETTING ADAPTER A W5/16" (MANUAL)	1	
617	971-796	ANCHOR SETTING ADAPTER A W3/8" (MANUAL)	1	
618	971-797	ANCHOR SETTING ADAPTER A W1/2" (MANUAL)	1	
619	971-798	ANCHOR SETTING ADAPTER A W5/8" (MANUAL)	1	
620	971-799	ANCHOR SETTING ADAPTER B W1/4" (MANUAL)	1	
621	971-800	ANCHOR SETTING ADAPTER B W5/16" (MANUAL)	1	
622	971-801	ANCHOR SETTING ADAPTER B W3/8" (MANUAL)	1	
623	971-802	ANCHOR SETTING ADAPTER B W1/2" (MANUAL)	1	
624	971-803	ANCHOR SETTING ADAPTER B W5/8" (MANUAL)	1	
625	944-477	COTTER	1	
626	303-617	TAPER SHANK ADAPTER (SDS PLUS) NO. 1	1	
627	303-619	A-TAPER SHANK ADAPTER (SDS PLUS)	1	
628	303-620	B-TAPER SHANK ADAPTER (SDS PLUS)	1	
629	303-624	CHUCK ADAPTER (D) (SDS PLUS)	1	
630	302-976	ANCHOR SETTING ADAPTER A (SDS+) W1/4X260L	1	
631	302-975	ANCHOR SETTING ADAPTER A (SDS+) W5/16X260L	1	
632	303-621	ANCHOR SETTING ADAPTER A (SDS+) W3/8X160L	1	
633	302-974	ANCHOR SETTING ADAPTER A (SDS+) W3/8X260L	1	
634	302-979	ANCHOR SETTING ADAPTER B (SDS+) W1/4X260L	1	
635	302-978	ANCHOR SETTING ADAPTER B (SDS+) W5/16X260L	1	
636	303-622	ANCHOR SETTING ADAPTER B (SDS+) W3/8X160L	1	
637	302-977	ANCHOR SETTING ADAPTER B (SDS+) W3/8X260L	1	
638	303-044	CHEMICAL ANCHOR ADAPTER (SDS+) 12.7MMX90L	1	
639	303-045	CHEMICAL ANCHOR ADAPTER (SDS+) 19.0MMX100L	1	
640	303-625	CORE BIT SHANK (SDS PLUS) 25-38MM 105L	1	
641	303-626	CORE BIT SHANK (SDS PLUS) 25-38MM 300L	1	

