

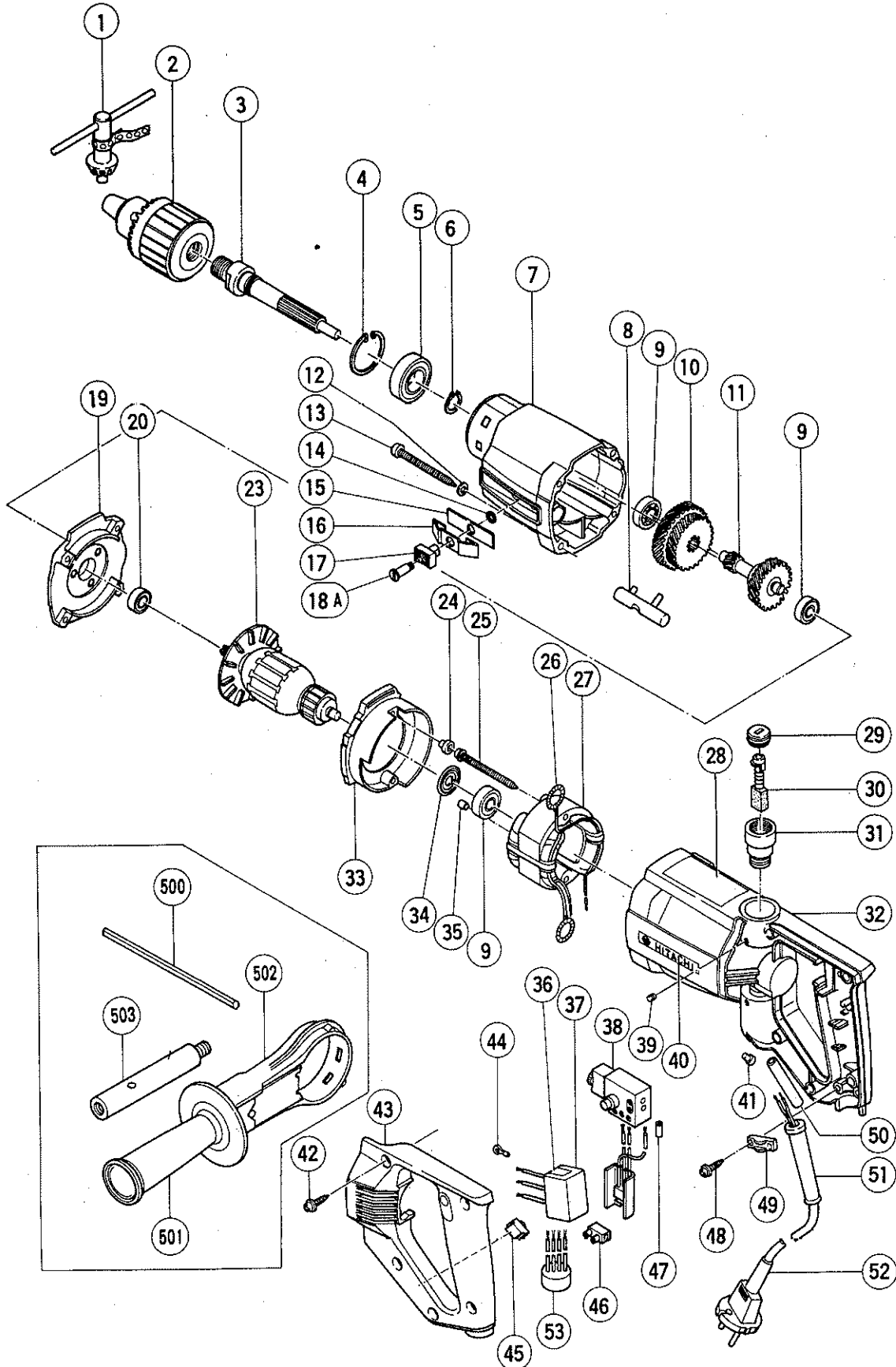
ELECTRIC TOOL PARTS LIST

■ DRILL

1987·10·30

Model DMV-16

DMV-16(E3)



PARTS

DMV-16(E3)

Item No.	Code No.	Part Name	Q'ty	Remarks
1	930733	Chuck Wrenth 13G	1	
2	950284	Drill Chick 16WL	1	includes 1
3	981631Z	Spindle	1	
4	963178	C-Type Retaining Ring	1	for D42 hole
5	939252	Ball Bearing (6302VVCN)	1	
6	939544	C-Type Retaining Ring	1	for D15 Shaft (10 pcs.)
7	981630Z	Gear Cover	1	
8	981573	Shift Rod	1	
9	939291	Ball Bearing (608VVC2)	3	
10	981570	Gear	1	
11	981569	Second Pinion	1	
12	949424	Spring Lock Washer	4	for M5 (10 pcs.)
13	983981	Tapping Screw D5 x 45	4	
14	942864	Super Lock Washer	1	for M5
15	981574	Seal Plate	1	
16	981575	Shift Spring	1	
17	981576	Shift Lever	1	
18A	981577	Flat Hd. Screw M5	1	(Seal Lock Screw)
19	982791	Inner Cover Ass'y	1	includes 9, 20
20	939295	Ball Bearing (609ZZC2)	1	
23	—	Armature	1	See alternative parts
24	981563	Rubber Packing	2	
25	981561	Tapping Screw D5 x 60	2	
26	930703	Brush Terminal	2	
27	—	Stator Ass'y	1	See alternative parts
28	—	Name Plate	1	
29	961781	Brush Cap	2	
30	981612Z	Carbon Brush	2	auto stop type (2 pcs.)
31	981586	Brush Holder	2	
32	982320Z	Housing Ass'y	1	includes 31, 39
33	981562	Fan Guide	1	
34	984367	Washer (C)	1	
35	946362	Bearing Lock	1	
36	—	Noise Suppressor	1	
37	—	Support (B)	1	See alternative parts
38	—	Speed Control Switch	1	See alternative parts
39	949365	Slotted Set Screw M4 x 5	2	(10 pcs.)
40	957561	HITACHI Label	1	
41	—	Connector (50091)	1	See alternative parts
42	982095	Tapping Screw D4 x 20	5	W/Washer
43	—	Handle Cover	1	See alternative parts
44	—	Terminal	1	See alternative parts
45	982323Z	Cushion	1	
46	—	Pillar Terminal	1	See alternative parts
47	—	Tube (D)	4	
48	930446	Tapping Screw D4 x 16	2	
49	960266	Cord Clip	1	
50	930793	Vinyl Tube	1	
51	—	Cord Armor	1	See alternative parts
52	—	Cord	1	

ALTERNATIVE PARTS

DMV-16 (E3)

Item No.	Code No.	Part Name	Q'ty	Remarks
23	981611E	Armature 220V ~ 230V	1	
	981611F	Armature 240V	1	
	981611M	Armature 240V	1	for Netherlands, Denmark, Sweden, Italy, Norway
27	981010G	Stator Ass'y 220V ~ 230V	1	for Denmark, Sweden, F.R. Germany, Netherlands, Norway, Italy includes 26
	980945E	Stator Ass'y 220V ~ 230V	1	includes 26
	980945F	Stator Ass'y 240V	1	includes 26
36	971828	Noise Suppressor	1	for Netherlands, Denmark, Sweden, F.R. Germany
37	930153	Support (B)	1	for Netherlands, Denmark, F.R. Germany
38	982322Z	Speed Control Switch (B)	1	
	982328	Speed Control Switch	1	for Europe
41	959140	Connector (50091)	1	(10 pcs.)
43	982324Z	Handle Cover	1	
	982327	Handle Cover	1	for Europe
44	938108	Terminal	1	for Netherlands, Denmark, F.R. Germany
46	982805Z	Pillar Terminal (B)	1	for F.R. Germany, Norway, Netherlands, Denmark
47	981373	Tube (D)	4	
51	953327	Cord Armor D8.8	1	
	938051	Cord Armor D10.1	1	
52	500201Z	Cord 220V ~ 240V	1	(Cord Armor D10.1)
	500245Z	Cord 220V ~ 240V	1	for Syria (Cord Armor D10.1)
	500226Z	Cord 230V ~ 240V	1	for Oceania (Cord Armor D8.8)
	500234Z	Cord 220V	1	for F.R. Germany, Italy (Cord Armor D8.8)
	500247Z	Cord 220V	1	for Netherlands, Denmark, Sweden (Cord Armor D10.1)

STANDARD ACCESSORIES

Item No.	Code No.	Part Name	Q'ty	Remarks
500	931844	Stopper	1	
501	981579	Side Handle Ass'y	1	includes 502, 503
502	981580	Handle Plate	1	
503	983987	Handle Joint	1	

OPTIONAL ACCESSORIES

Item No.	Code No.	Part Name	Q'ty	Remarks
601	981633Z	Spindle Adapter	1	