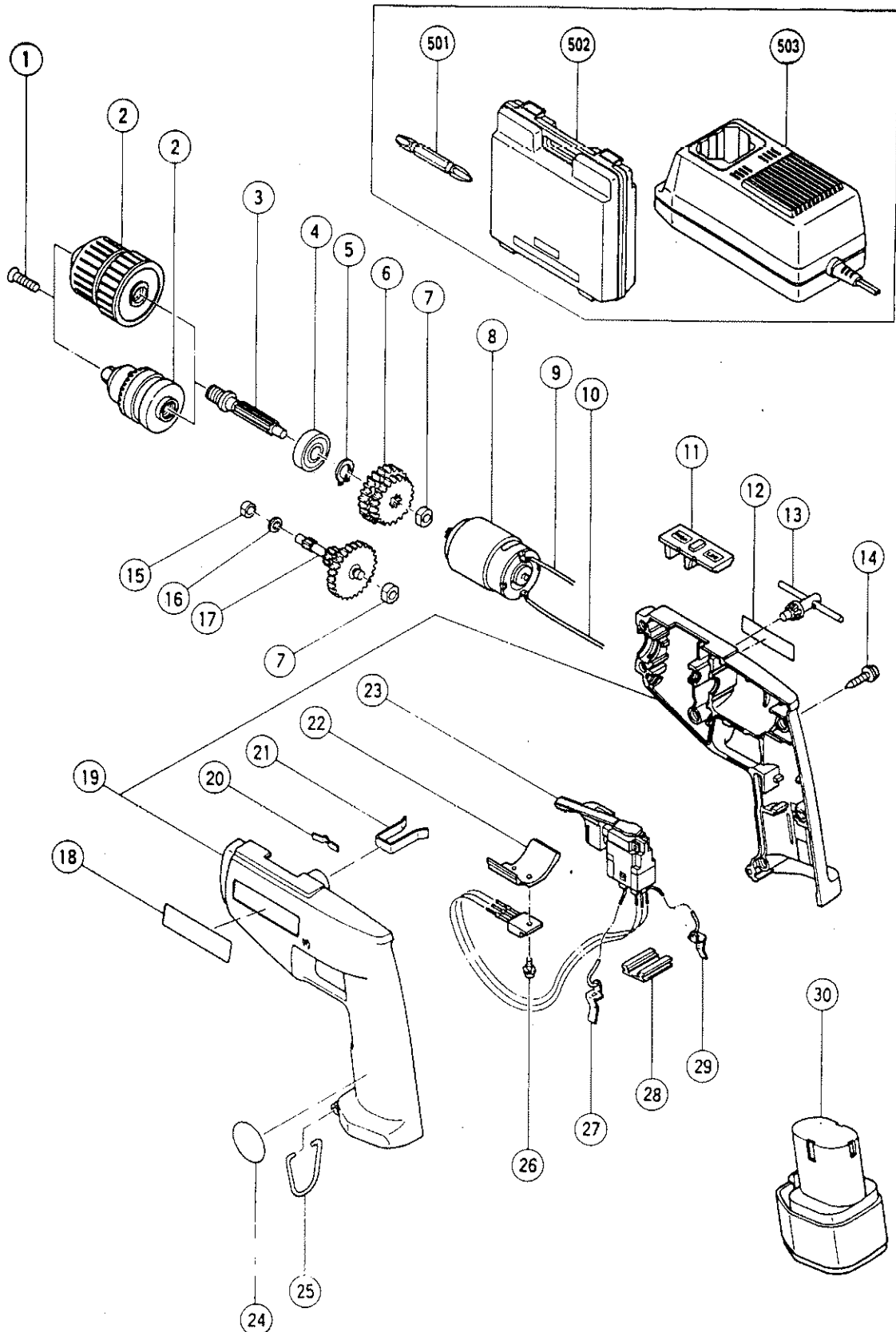


ELECTRIC TOOL PARTS LIST

■ CORDLESS DRIVER DRILL
Model DN 10DVA

1992 · 5 · 20
(E1)



PARTS

DN 10DVA

ITEM NO.	CODE NO.	DESCRIPTION	NO. USED	REMARKS	
1	992-077	FLAT HD. SCREW (LEFT HAND) M5X17	1		
2	950-292	DRILL CHUCK 10TLRA	1	INCLUD.13	
2	303-915	DRILL CHUCK 10TLRA - N	1	W/O CHUCK WRENCH	
3	980-843	SPINDLE	1		
4	600-0VV	BALL BEARING 6000VVCMP2S	1		
5	939-540	QETAINING RING FOR D10 SHAFT (10 PCS.)	1		
6	981-348	FINAL GEAR	1		
7	997-752	METAL	2		
8	992-071	MOTOR	1		
9	980-845	INTERNAL WIRE (B) 90L (RED)	1		
10	980-846	INTERNAL WIRE (B) 40L (BLACK)	1		
11	302-396	SHIFT KNOB	1		
12		NAME PLATE	1		
13	980-057	CHUCK WRENCH 10TL2	1		
14	991-672	TAPPING SCREW (W/WASHER) D3X16	6		
15	994-677	METAL D4X6	1		
16	949-423	WASHER M4 (10 PCS.)	1		
17	980-823	SECOND PINION	1		
18		HITACHI LABEL	1		
19	306-056	HOUSING (A).(B) SET	1		
20	980-829	SHIFT SPRING	1		
21	980-837	KEY HOLDER	1		
22	992-081	FIN	1		
23	306-055	DC - SPPEED CONTROL SWITCH	1		
24	987-135	MARK PLATE	1		
25	980-838	HOOK	1		
26	994-532	MACHINE SCREW (W/SP. WASHER) M3X5	1		
27	306-255	TERMINAL	1		
28	991-666	TERMINAL SUPPORT	1		
29	991-668	TERMINAL	1		
30	306-136	BATTERY EB 7 (W/ENGLISH N.P.)	1		
30	306-129	BATTERY EB 7 (W/ENGLISH N.P.)	1	FOR HOL,DEN	
30	306-130	BATTERY EB 7 (W/GERMAN N.P.)	1	FOR SUI	
30	306-131	BATTERY EB 7 (W/FRENCH N.P.)	1	FOR FRA	
30	306-132	BATTERY EB 7 (W/ENGLISH N.P.)	1	FOR USA,CAN	
30	306-133	BATTERY EB 7 (W/ENGLISH N.P.)	1	FOR SWE	
30	306-134	BATTERY EB 7 (W/GERMAN N.P.)	1	FOR BEL	
30	306-135	BATTERY EB 7 (W/GERMAN N.P.)	1	FOR FRG,AUT	
30	306-283	BATTERY EB 7 (W/ITALIAN N.P.)	1	FOR ITA	

*: ALTERNATIVE PARTS

STANDARD ACCESSORIES

DN 10DVA

ITEM NO.	CODE NO.	DESCRIPTION	NO. USED	REMARKS
501	955-654	+ DRIVER BIT (A) NO.2 70L	1	
502	302-381	CASE	1	
503		CHARGER UC 12Y	1	

OPTIONAL ACCESSORIES

ITEM NO.	CODE NO.	DESCRIPTION	NO. USED	REMARKS
601	955-657	- DRIVER BIT (A) 3MMX70L	1	
602	955-659	- DRIVER BIT (A) 4MMX70L	1	
603	955-674	- DRIVER BIT (A) 6MMX70L	1	
604	955-655	+ DRIVER BIT (A) NO.3 70L	1	
605	955-670	+ DRIVER BIT (A) NO.1 70L	1	

* : ALTERNATIVE PARTS