

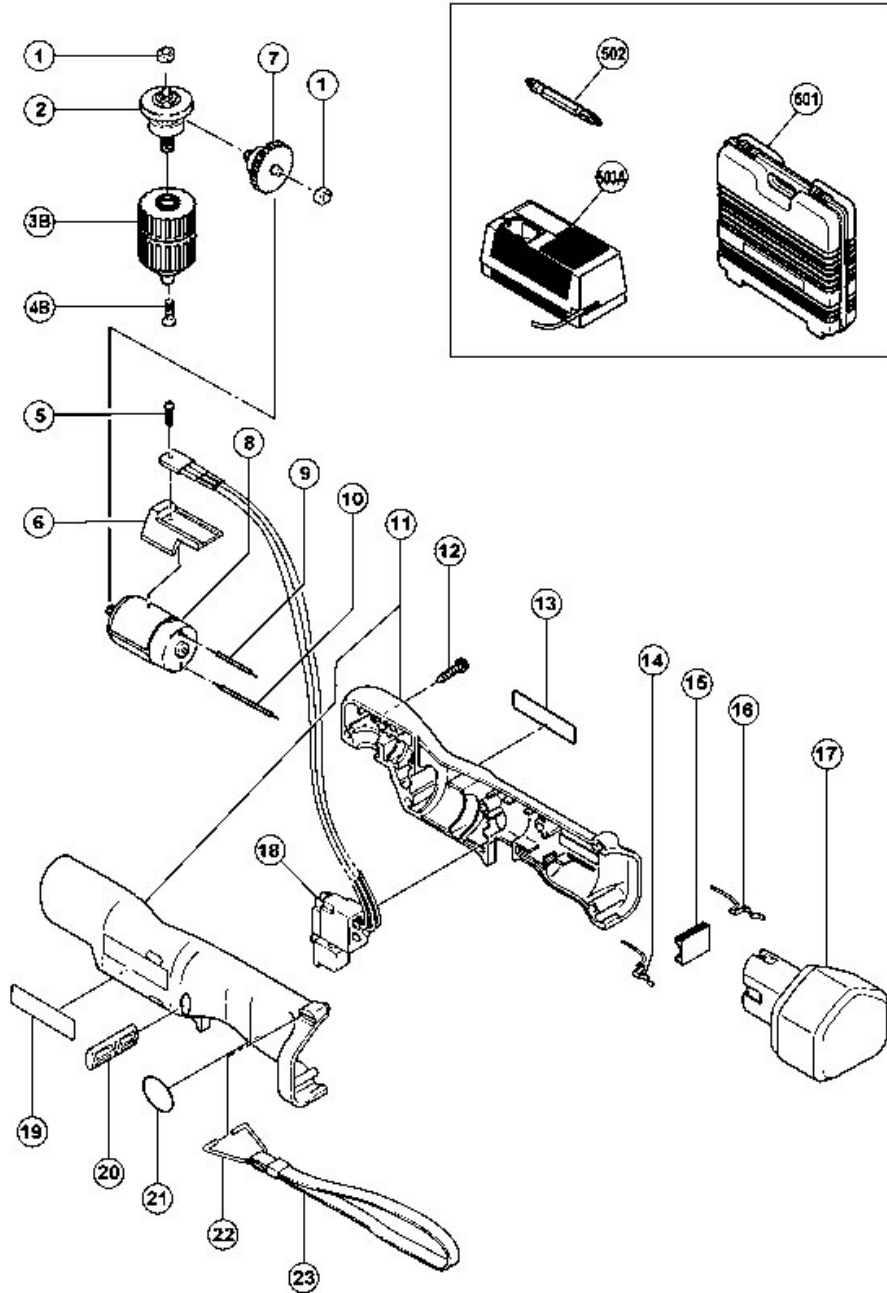
Hitachi Power Tools

LIST NO. E871

ELECTRIC TOOL PARTS LIST

■ CORDLESS ANGLE DRILL
Model DN 10DY

2004 · 12 · 1
(E2-3)



DN10DY

P Nr.	Art. Nr.	Beschreibung	Stueck	Kommentar	Beschreibung
1	997-752	GLEITLAGER D410DV/WF4DY u a	2		METAL
2	308-304	BOHRWELLE DN10DY	1		SPINDLE
3B	323-250		1		DRILL CHUCK 10TLRK-N (W/O CHUCK WRENCH)
4B	992-077		1		FLAT HD. SCREW (LEFT HAND) M5X17
5	306-039	#NAME?	1		BIND SCREW M3X7
6	308-311	KUHLKORPER DN10DY	1		FIN
7	308-305	ZWEITRITZEL DN10DY	1		SECOND PINION
8	308-306	MOTOR DN10DY	1		MOTOR
9	308-307	VERBINDERKABEL (A) DN10DY	1		INTERNAL WIRE (A) 40L (RED)
10	308-308	VERBINDERKABEL (A) DN10DY	1		INTERNAL WIRE (A) 65L (BLACK)
11	308-313	GEHAUSE (A+B) SATZ DN10DY	1		HOUSING (A). (B) SET (GREEN)
11	308-312	GEHAUSE A+B (SATZ) DUNKELGRUN DN10DY	1		HOUSING (A). (B) SET (DARK GREEN)
12	991-672	SCHNEIDSCHRAUBE D3X16 M U SCHEIBE	7		TAPPING SCREW (W/WASHER) D3X16
13			1		NAME PLATE
14	308-309	SCHALTLITZE (A) DN10DY	1		TERMINAL (B)
15	991-666	KONTAKTHALTER D10D/WH8DYA/WH12DC CL10D2	1		TERMINAL SUPPORT
16	308-310	SCHALTLITZE (B) DN10DY	1		TERMINAL (B)
17	991-681		1	"FOR EUROPE,CHN"	BATTERY EB 9 (W/ENGLISH N.P.)
17	991-644Z		1	FOR USA	BATTERY EB 9 (W/ENGLISH N.P.)
17	310-377		1		BATTERY EB 9B (W/ENGLISH N.P.)

17	310-451		1	FOR USA	BATTERY EB 9B (W/ENGLISH N.P.)
17	318-264		1	FOR CHN	BATTERY FEB 9S (W/ENGLISH N.P)
18	308-315	ELEKTRONIKSCHALTER DN10DY	1		DC-SPEED CONTROL SWITCH
19			1		HITACHI LABEL
20	306-951	SCHIEBEKNOPF R/L DN10DY/DS10DV	1		PUSHING BUTTON
21	987-135	AUFKLEBER ELECTRONIC DIV TYPEN	1		MARK PLATE
22	980-838	HAKEN DTC10/D10DG/DS10DVA u a	1		HOOK
23	306-952	HALTESCHLAUFEDN10DY/DS10DV/WR14DH DS14/D	1		STRAP (BLACK)
501	308-314	TRANSPORTKOFFER DN10DY/WH8DYA	1		CASE
502	983-006	+BIT PHIL NR 2 L=65MM (2-SEITIG) ALTE AR	1		+ DRIVER BIT NO.2 65L
502	983-005	+BIT PHIL NR 2 L=45MM (2-SEITIG)	1	FOR AUS	+ DRIVER BIT (A) NO.2 45L
503			1		CHARGER (MODEL UC 12Y)
503	000-008D		0	DEPENDING ON ORDER SPEC.	
503			1		CHARGER (MODEL UC 14YF)
503	000-008D		0	DEPENDING ON ORDER SPEC.	
503			1		CHARGER (MODEL UC 14YF2)
503	000-008D		0	DEPENDING ON ORDER SPEC.	
503			1		CHARGER (MODEL UC 9SD)
503	000-008D		0	FOR CHN	
601	955-656	-BIT 0 6XL50	1		- DRIVER BIT (A) 3MMX50L
602	955-657	-BIT 0 6XL70	1		- DRIVER BIT

					(A) 3MMX70L
603	955-658	-BIT 0 8XL50	1		- DRIVER BIT (A) 4MMX50L
604	955-659	-BIT 0 8XL70	1		- DRIVER BIT (A) 4MMX70L
605	955-673	-BIT 1 0XL50	1		- DRIVER BIT (A) 6MMX50L
606	955-674	-BIT 1 0XL70	1		- DRIVER BIT (A) 6MMX70L
607	983-004	+BIT PHIL NR 1 L=65MM (2-SEITIG)	1		+ DRIVER BIT NO.1 65L
608	983-005	+BIT PHIL NR 2 L=45MM (2-SEITIG)	1		+ DRIVER BIT (A) NO.2 45L
609	983-010	+BIT PHIL NR 3 L=45MM (2-SEITIG)	1		+ DRIVER BIT (A) NO.3 45L
610	983-011	+BIT NR 3 L=65 PH-2-SEITIG	1		+ DRIVER BIT NO.3 65L