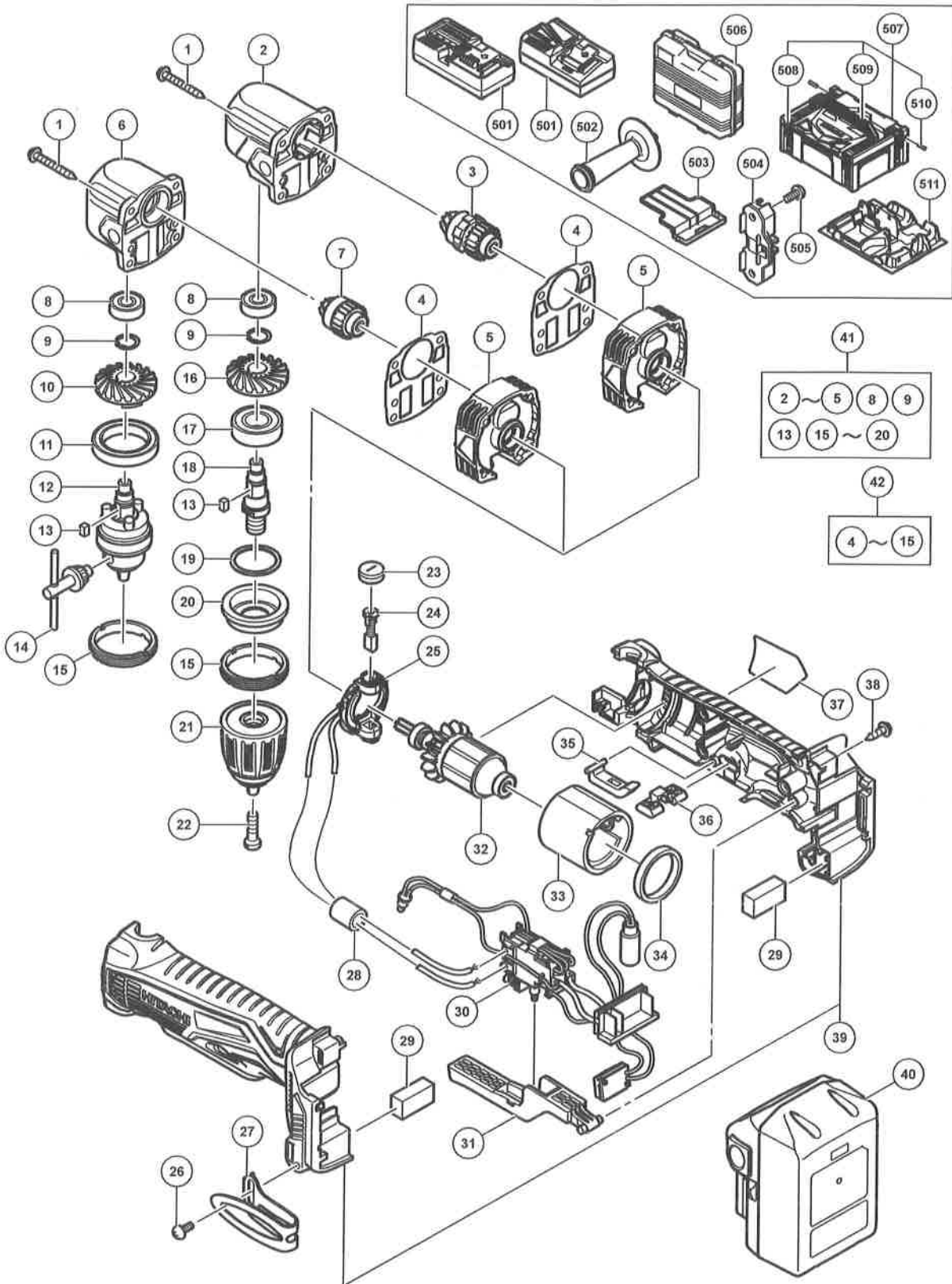


ELECTRIC TOOL PARTS LIST

CORDLESS ANGLE DRILL
Model DN 18DSL

2014·6·27
(E1)



PARTS

DN 18DSL

ITEM NO.	CODE NO.	DESCRIPTION	NO. USED	REMARKS
1	306664	TAPPING SCREW (W/FLANGE) D4 X 40	4	
* 2	337261	GEAR CASE (A)	1	FOR KEYLESS CHUCK
* 3	337429	BEVEL GEAR (C) SET	1	FOR KEYLESS CHUCK
4	337276	PACKING	1	
5	337260	INNER COVER	1	
* 6	337262	GEAR CASE (B)	1	FOR KEYED CHUCK
* 7	337430	BEVEL GEAR (D) SET	1	FOR KEYED CHUCK
8	608VVM	BALL BEARING 608VVC2PS2L	1	
9	335774	INVERTED RING	1	
* 10	337266	BEVEL GEAR (B)	1	FOR KEYED CHUCK
* 11	337279	BALL BEARING 6806	1	FOR KEYED CHUCK
* 12	337263	DRILL CHUCK 10MM	1	FOR KEYED CHUCK
13	337273	KEY	1	
* 14	337264	CHUCK HANDLE	1	FOR KEYED CHUCK
15	337275	RING SCREW	1	
* 16	337265	BEVEL GEAR (A)	1	FOR KEYLESS CHUCK
* 17	337278	BALL BEARING 6002	1	FOR KEYLESS CHUCK
* 18	337272	SPINDLE	1	FOR KEYLESS CHUCK
* 19	337431	RUBBER RING	1	FOR KEYLESS CHUCK
* 20	337274	BB COVER	1	FOR KEYLESS CHUCK
* 21	337118	DRILL CHUCK 10VLRJ-N (W/O CHUCK WRENCH)	1	FOR KEYLESS CHUCK
* 21	337119	DRILL CHUCK 10VLRJ-N (W/O CHUCK WRENCH)	1	FOR KEYLESS CHUCK FOR USA,CAN
* 22	324503	SPECIAL SCREW (LEFT HAND) (B) M6 X 23	1	FOR KEYLESS CHUCK
23	319918	BRUSH CAP	2	
24	999054	CARBON BRUSH 5 X 6 X 11.5 (1 PAIR)	2	
25	337280	BRUSH BLOCK	1	
26	327001	TRUSS HD. SCREW M4 (BLACK)	1	
27	332824	HOOK	1	
* 28	334443	FERRITE CORE	1	EXCEPT FOR CHN,AUS,NZL,USA,CAN
29	328644	PACKING	2	
30	337282	SWITCH TERMINAL SET	1	
31	337286	TRIGGER	1	
32	360980	ARMATURE AND PINION SET DC 18V	1	
33	337433	MAGNET (N) SET	1	
34	337432	SIDE YOKE	1	
35	337285	TRIGGER LINK	1	
36	337284	PUSHING BUTTON	1	
37		NAME PLATE	1	
38	313687	TAPPING SCREW (W/FLANGE) D3 X 16 (BLACK)	5	
39	337427	HOUSING (A).(B) SET	1	
* 40	330557	BATTERY BSL 1815X (EUROPE)	2	INCLUD.503
* 40	330139	BATTERY BSL 1815X (USA,CAN)	1	INCLUD.503
* 40	335788	BATTERY BSL 1825 (EUROPE,AUS,NZL)	2	INCLUD.503
* 40	330068	BATTERY BSL 1830 (EUROPE,AUS,NZL)	2	INCLUD.503
* 40	334728	BATTERY BSL 1830 (CHN)	1	INCLUD.503
* 40	335790	BATTERY BSL 1850 (EUROPE,AUS,NZL)	2	INCLUD.503
* 40	335790	BATTERY BSL 1850 (EUROPE,AUS,NZL)	1	INCLUD.503 FOR BEL
* 41	337289	GEAR BOX ASS'Y	1	INCLUD.2-5,8,9,13,15-20
				FOR KEYLESS CHUCK
* 42	337291	GEAR BOX ASS'Y	1	INCLUD.4-15 FOR KEYED CHUCK

STANDARD ACCESSORIES

DN 18DSL

ITEM NO.	CODE NO.	DESCRIPTION	NO. USED	REMARKS
* 501		CHARGER (MODEL UC 18YKSL)	1	
* 501		CHARGER (MODEL UC 18YFSL)	1	
502	302142	SIDE HANDLE	1	
* 503	329897	BATTERY COVER	1	EXCEPT FOR CHN,BEL,USA,CAN
* 504	337287	CHUCK HANDLE HOLDER	1	FOR KEYED CHUCK
* 505	327001	TRUSS HD. SCREW M4 (BLACK)	1	FOR KEYED CHUCK
* 506	337290	CASE	1	EXCEPT FOR FRG,BEL
* 507	336471	CASE ASS'Y (STACKABLE)	1	INCLUD.508-510 FOR FRG,BEL
* 508	336472	LATCH	4	FOR FRG,BEL
* 509	336473	HANDLE	1	FOR FRG,BEL
* 510	336474	HINGE	2	FOR FRG,BEL
* 511	337288	INNER TRAY	1	FOR FRG,BEL

OPTIONAL ACCESSORIES

ITEM NO.	CODE NO.	DESCRIPTION	NO. USED	REMARKS
601	955656	- DRIVER BIT (A) 3MM X 50L	1	
602	955657	- DRIVER BIT (A) 3MM X 70L	1	
603	955658	- DRIVER BIT (A) 4MM X 50L	1	
604	955659	- DRIVER BIT (A) 4MM X 70L	1	
605	955673	- DRIVER BIT (A) 6MM X 50L	1	
606	955674	- DRIVER BIT (A) 6MM X 70L	1	
607	983005	+ DRIVER BIT (A) NO.2 45L	1	
608	983010	+ DRIVER BIT (A) NO.3 45L	1	
609	983004	+ DRIVER BIT NO.1 65L	1	
610	983006	+ DRIVER BIT NO.2 65L	1	
611	983011	+ DRIVER BIT NO.3 65L	1	