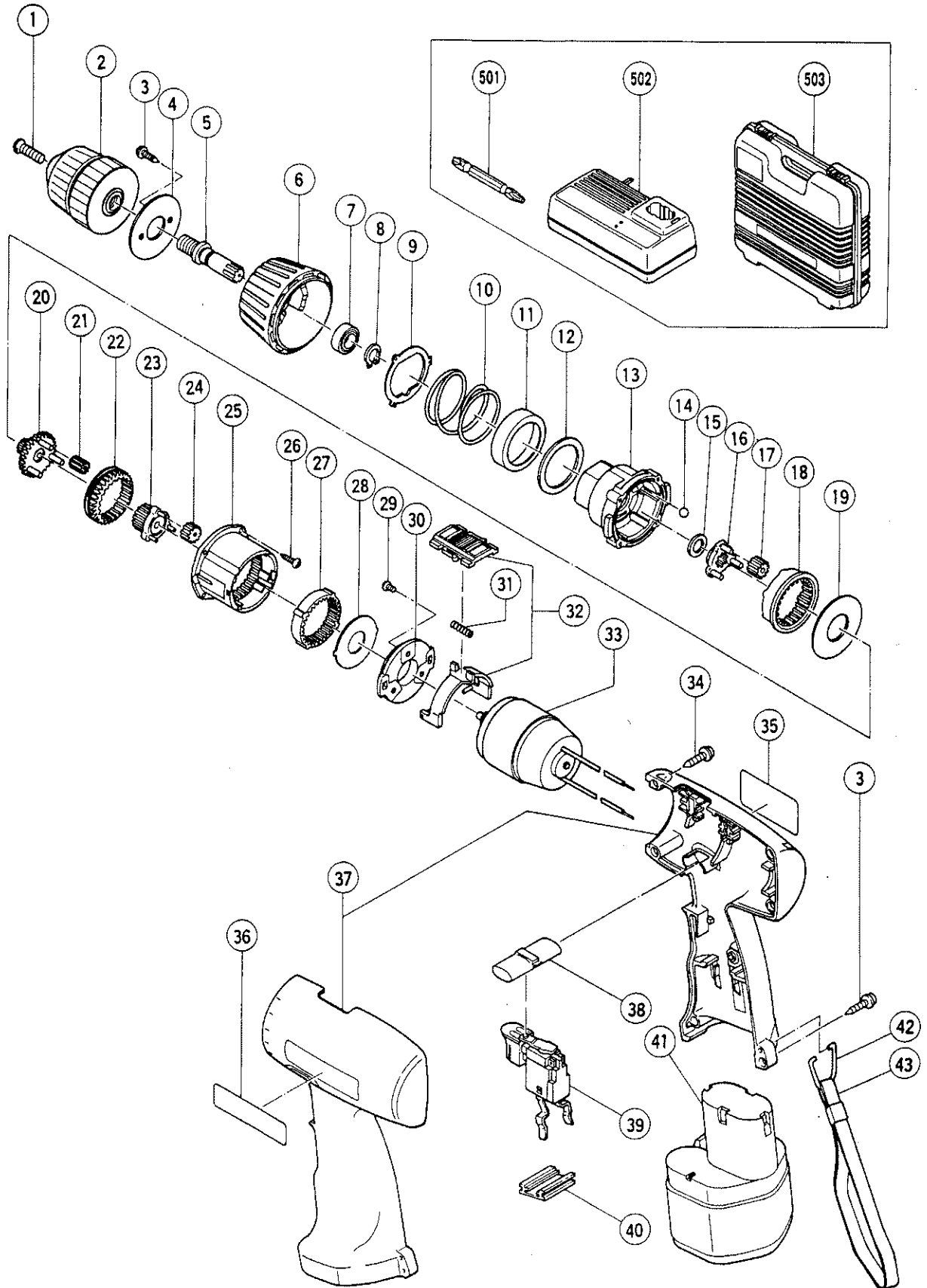


## ELECTRIC TOOL PARTS LIST

■ CORDLESS DRIVER DRILL  
Model DS 10DT

1993 · 2 · 20  
(E1)



**PARTS**

DS 10DT

ITEM NO.	CODE NO.	DESCRIPTION	NO. USED	REMARKS	
1	992-077	FLAT HD. SCREW (LEFT HAND) M5X17	1		
2	303-915	DRILL CHUCK 10TLRA - N	1		
3	995-481	TAPPING SCREW (W/WASHER) D3X10	3		
4	306-935	PLATE (C)	1		
5	306-957	SPINDLE	1		
6	306-930	CAP	1		
7	306-958	BALL BEARING 6800ZZ	1		
8	939-540	RETAINING RING FOR D10 SHAFT (10 PCS.)	1		
9	306-934	CLUTCH PLATE	1		
10	306-933	SPRING	1		
11	307-212	SPRING HOLDER	1		
12	306-932	THRUST PLATE	1		
13	306-931	FRONT CASE	1		
14	306-936	STEEL BALL	6		
15	307-214	WASHER	1		
16	306-938	CARRIER	1		
17	306-961	PLANET GEAR (C) SET (3 PCS.)	3		
18	306-937	RING GEAR	1		
19	306-939	PLATE (B)	1		
20	306-940	PINION (C)	1		
21	306-960	PLANET GEAR (B) SET (3 PCS.)	3		
22	306-941	SLIDE RING GEAR	1		
23	306-942	PINION (B)	1		
24	306-959	PLANET GEAR (A1) SET (3 PCS.)	3		
25	306-944	REAR CASE	1		
26	307-215	TAPPING SCREW D3X12	4		
27	306-946	FIRST RING GEAR	1		
28	306-943	PLATE (A)	1		
29	949-202	MACHINE SCREW M3X6 (10 PCS.)	3		
30	306-956	FLANGE	1		
31	306-948	SHIFT SPRING	1		
32	306-962	SHIFT ARM.SHIFT KNOB SET	1		
33	306-967	MOTOR PINION	1		
34	991-672	TAPPING SCREW (W/WASHER) D3X16	6		
*		NAME PLATE	1		
		HITACHI LABEL	1		
37	307-573	HOUSING (A).(B) SET	1		
38	306-951	PUSHING BUTTON	1		
39	306-955	SWITCH (2P SOLDER TYPE)	1		
40	991-666	TERMINAL SUPPORT	1		
*	41	307-331	BATTERY EB 9G (W/ENGLISH N.P.)	1	FOR EUROPE
*	41	307-330	BATTERY EB 9G (W/ENGLISH N.P.)	1	FOR ASIA, NZL, AUS
*	41	307-329	BATTERY EB 9G (W/ENGLISH N.P.)	1	FOR USA, CAN
42	306-953	HOOK	1		
43	306-952	STRAP	1		

\*: ALTERNATIVE PARTS

