

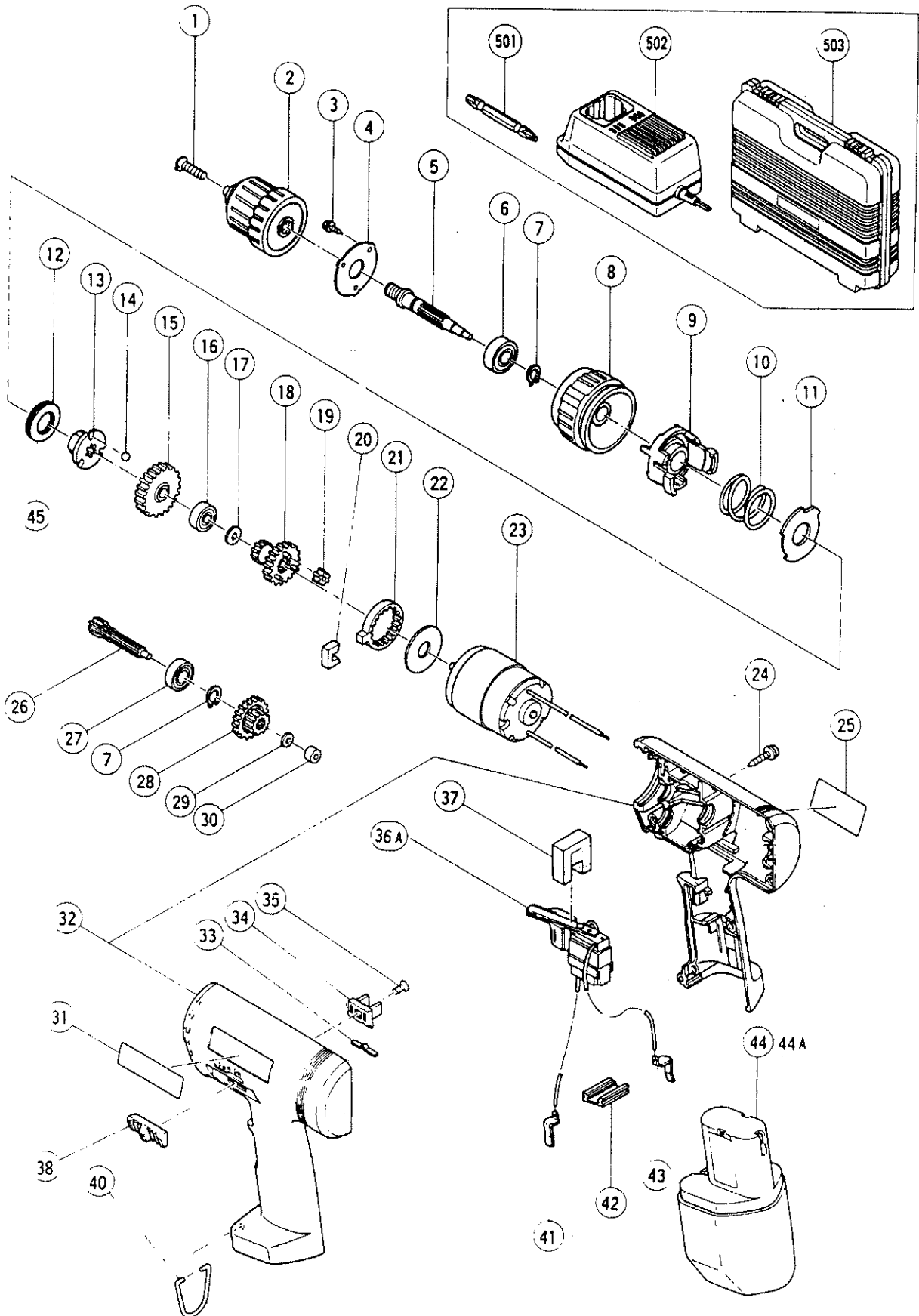
HITACHI

LIST NO. E851

ELECTRIC TOOL PARTS LIST

■ CORDLESS DRIVER DRILL
Model DS10DTA

1994 · 2 · 8
(E2)



PARTS

DS 10DTA

ITEM NO.	CODE NO.	DESCRIPTION	NO. USED	REMARKS
1	892-077	FLAT HD. SCREW (LEFT HAND) M5X17	1	
2	301-553	DRILL CHUCK 10TLR - N (W/O CHUCK HANDLE)	1	
3	984-327	TAPPING SCREW (W/SP. WASHER) D3X8	3	
4	991-663	PLATE	1	
5	301-741	SPINDLE	1	
6	600-0VV	BALL BEARING 6000VVCMP2S	1	
7	939-540	RETAINING RING FOR D10 SHAFT (10 PCS.)	2	
8	301-748	CAP	1	
9	303-722	SPRING HOLDER	1	
10	301-746	SPRING	1	
11	301-745	THRUST PLATE	1	
12	986-107	THRUST NEEDLE BEARING	1	
13	301-743	BALL HOLDER	1	
14	959-149	STEEL BALL D4.76 (10 PCS.)	3	
15	303-772	FINAL GEAR	1	
16	626-VVM	BALL BEARING 626VVMC2ERPS2S	1	
17	301-730	WASHER	1	
18	303-764	GEAR HOLDER	1	
19	303-779	IDLE GEAR SET (3 PCS.)	1	
20	301-978	DAMPER	1	
21	303-782	RING GEAR	1	
22	303-763	WASHER	1	
23	303-771	MOTOR	1	
24	991-672	TAPPING SCREW (W/WASHER) D3X16	6	
25		NAME PLATE	1	
26	303-769	SECOND SHAFT	1	
27	690-0ZZ	BALL BEARING 6900ZZ	1	
28	303-770	SECOND GEAR	1	
29	949-423	WASHER M4 (10 PCS.)	1	
30	994-677	METAL D4X6	1	
31		HITACHI LABEL	1	
32	303-780	HOUSING (A),(B) SET	1	
33	980-829	SHIFT SPRING	1	
34	303-773	SHIFT ARM	1	
35	949-321	FLAT HD. SCREW M4X8 (10 PCS.)	1	
36A	995-426	SWITCH (2P PLUG IN TYPE) W/O LOCK	1	
37	980-834	SEAL	1	
38	303-774	SHIFT KNOB	1	
40	980-838	HOOK	1	
41	301-972	TERMINAL	1	
42	991-666	TERMINAL SUPPORT	1	
43	301-971	TERMINAL	1	
44	300-002	BATTERY EB 12 (W/ENGLISH N.P.)	1	
44	302-758	BATTERY EB 12 (W/ENGLISH N.P.)	1	FOR HOL.DEN.SUI.SWE.NOR
44	300-004	BATTERY EB 12 (W/ENGLISH N.P.)	1	FOR USA.CAN
44	300-001	BATTERY EB 12 (W/GERMAN N.P.)	1	FOR FRG.AUT
44	302-973	BATTERY EB 12 (W/GERMAN N.P.)	1	FOR BEL
44	300-003	BATTERY EB 12 (W/FRENCH N.P.)	1	FOR FRA
44A	306-200	BATTERY EB 12 (W/ITALIAN N.P.)	1	FOR ITA
45	305-468	BEARING RACE	1	

*: ALTERNATIVE PARTS

STANDARD ACCESSORIES

DS 10DTA

ITEM NO.	CODE NO.	DESCRIPTION	NO. USED	REMARKS
501	983-008	+ DRIVER BIT NO.2 65L	1	
502		CHARGER (MODEL UC 12Y)	1	
503	305-078	CASE	1	

OPTIONAL ACCESSORIES

ITEM NO.	CODE NO.	DESCRIPTION	NO. USED	REMARKS
601	955-657	- DRIVER BIT (A) 3MMX70L	1	
602	955-658	- DRIVER BIT (A) 4MMX70L	1	
603	955-674	- DRIVER BIT (A) 6MMX70L	1	
604	983-011	+ DRIVER BIT NO.3 65L	1	
605	983-004	+ DRIVER BIT NO.1 65L	1	
606	308-090	HOOK (FOR CORDLESS TOOLS)	1	
607	307-824	HOLSTER	1	

*: ALTERNATIVE PARTS